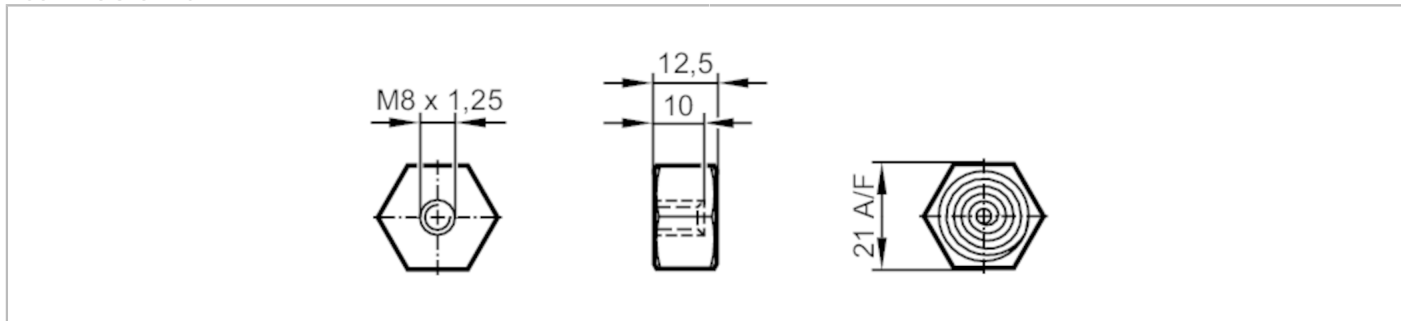


E30473



Adhesive adapter for acceleration and vibration sensors

MOUNTING STUD M8 HEX 21 MM



| Application | |
|-------------------|--------------------------------|
| Design | for efector octavis |
| Mechanical data | |
| Weight [g] | 33.1 |
| Materials | stainless steel (1.4305 / 303) |
| Sensor connection | M8 x 1,25 internal thread |
| Remarks | |
| Pack quantity | 1 pcs. |