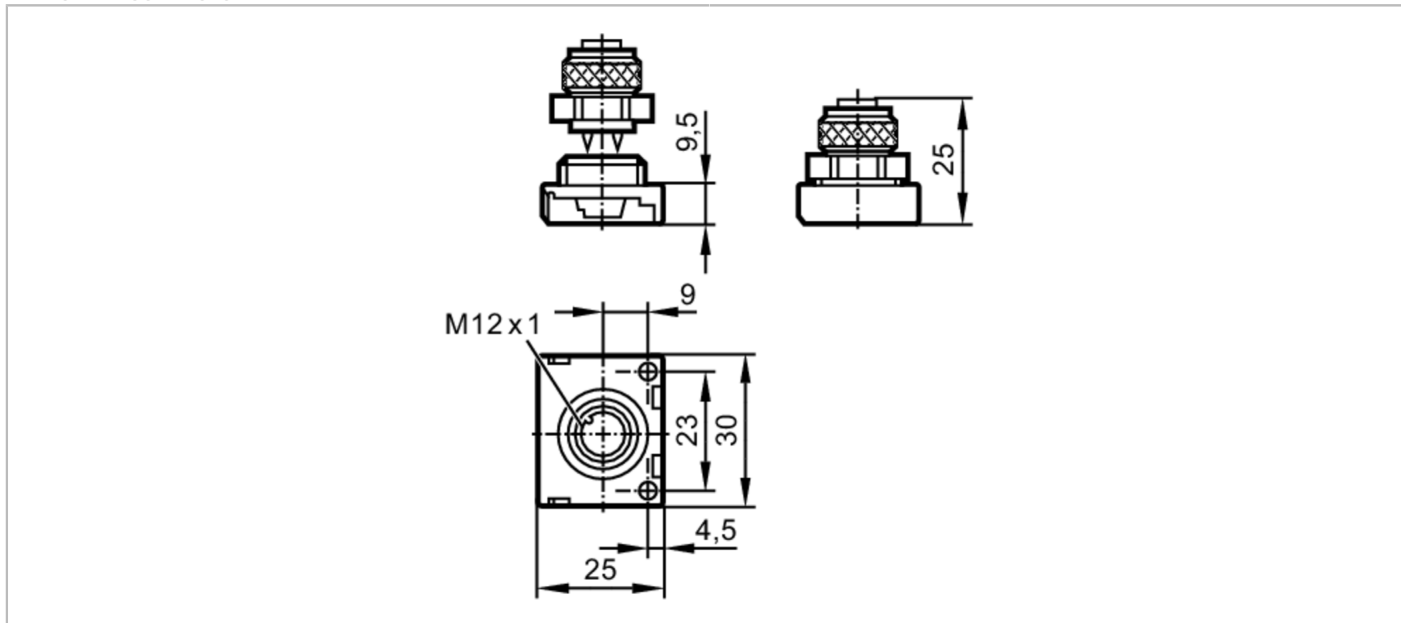




## AS-Interface flat cable insulation displacement connector

FLAT CABLE CONNECTOR M12



### Application

Design	M12 socket for AS-i flat cable
--------	--------------------------------

### Electrical data

Max. current load total	[A]	2
-------------------------	-----	---

### Operating conditions

Ambient temperature	[°C]	-25...75
---------------------	------	----------

Protection	IP 67
------------	-------

### Mechanical data

Weight	[g]	17.9
--------	-----	------

Materials	PA
-----------	----

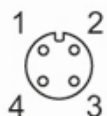
### Remarks

Remarks	<p>installation instructions First separate the fixture (orange) from the insulation displacement connector.</p> <p>Insert the cable in the fixture and close it again.</p> <p>Screw the fixture back on the insulation displacement connector.</p>
---------	---

Pack quantity	1 pcs.
---------------	--------

### Electrical connection - socket

Connector: 1 x M12; Moulded body: PA



### Connection