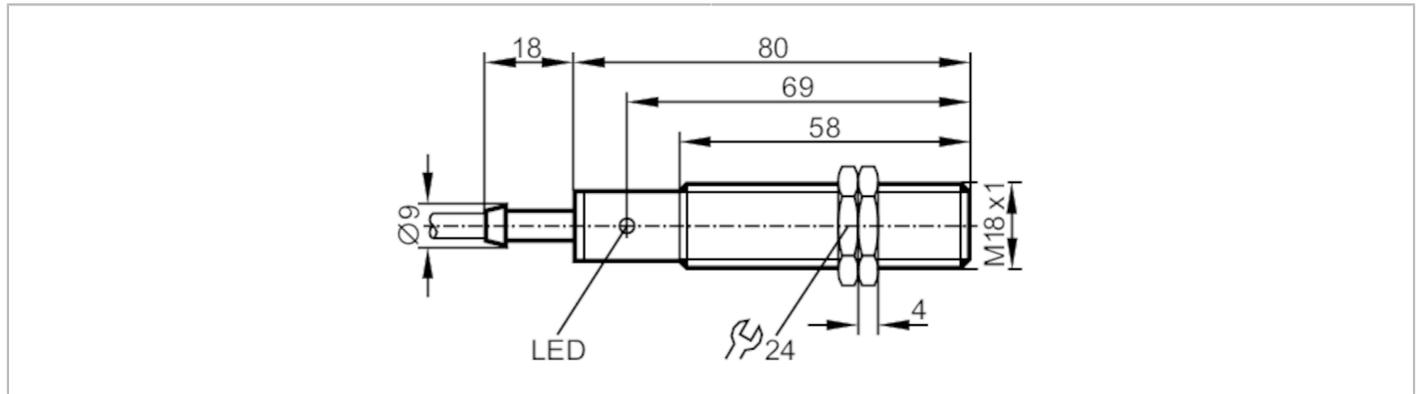


IG5792



Inductive sensor

IG-4005ZCPKG/6M/SH



Product characteristics	
Electrical design	PNP
Output function	complementary
Sensing range [mm]	5
Housing	threaded type
Dimensions [mm]	M18 x 1 / L = 80
Electrical data	
Operating voltage [V]	10...36 DC
Current consumption [mA]	10; (24 V)
Protection class	II
Reverse polarity protection	yes
Outputs	
Electrical design	PNP
Output function	complementary
Max. voltage drop switching output DC [V]	2.5
Max. leakage current [mA]	0.1
Permanent current rating of switching output DC [mA]	100
Switching frequency DC [Hz]	720
Short-circuit protection	yes
Type of short-circuit protection	pulsed
Overload protection	yes
Detection zone	
Sensing range [mm]	5
Real sensing range Sr [mm]	5 ± 10 %
Operating distance [mm]	0...4.05
Accuracy / deviations	
Correction factor	steel: 1 / stainless steel: 0.7 / brass: 0.4 / aluminium: 0.4 / copper: 0.3
Hysteresis [% of Sr]	3...15
Switch point drift [% of Sr]	-10...10

IG5792



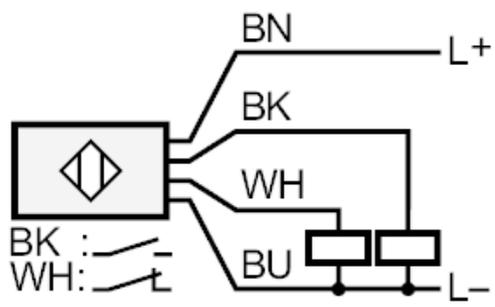
Inductive sensor

IG-4005ZCPKG/6M/SH

Operating conditions		
Ambient temperature	[°C]	-25...100
Protection		IP 67
Tests / approvals		
EMC	EN 60947-5-2	
	EN 55011	class B
MTTF	[years]	1365
Mechanical data		
Weight	[g]	324
Housing		threaded type
Mounting		flush mountable
Dimensions	[mm]	M18 x 1 / L = 80
Thread designation		M18 x 1
Materials		PBT
Displays / operating elements		
Display	switching status	1 x LED, yellow
Accessories		
Accessories (supplied)		lock nuts: 2
Remarks		
Pack quantity		1 pcs.

Electrical connection
Cable: 6 m, silicone; 4 x 0.34 mm²

Connection



- Core colours :
- BK = black
 - BN = brown
 - BU = blue
 - WH = white