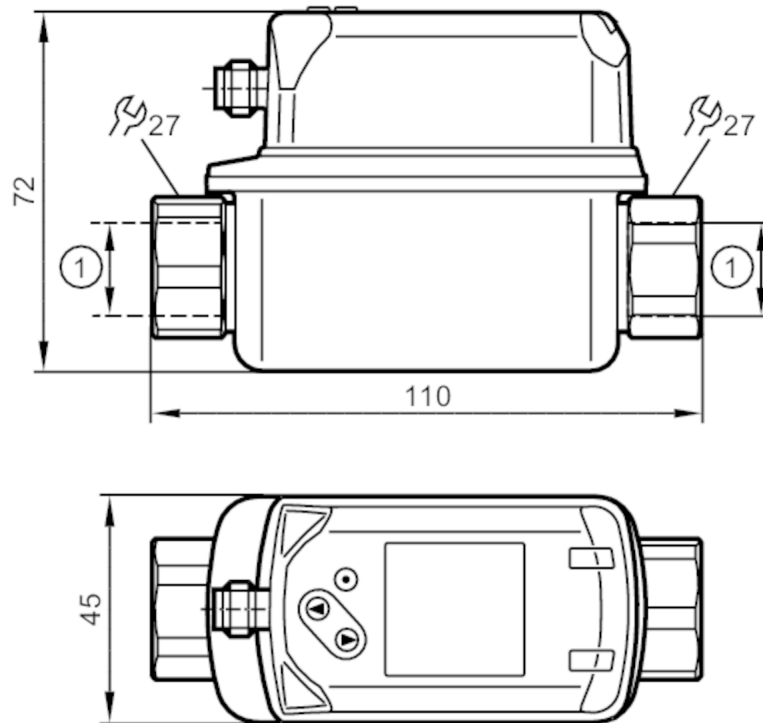


SV4504



Vortex flow meter with display

SVK12XXX50KG/US-100



1 Rc 1/2
DN 8



Product characteristics

Number of inputs and outputs	Number of analogue outputs: 2	
Measuring range	1...20 l/min	0.06...1.2 m³/h
Process connection	threaded connection Rc 1/2 internal thread DN8	

Application

Special feature	Gold-plated contacts	
Application	for industrial applications	
Media	water	
Medium temperature [°C]	-10...90	
Pressure rating [bar]	12	
Note on pressure rating	up to 40 °C	

Electrical data

Operating voltage [V]	18...30 DC	
Current consumption [mA]	< 30	
Min. insulation resistance [MΩ]	100; (500 V DC)	
Protection class	III	
Reverse polarity protection	yes	
Power-on delay time [s]	< 3	

Inputs / outputs

Number of inputs and outputs	Number of analogue outputs: 2	
------------------------------	-------------------------------	--

SV4504



Vortex flow meter with display

SVK12XXX50KG/US-100

Outputs		
Total number of outputs		2
Output signal		analogue signal
Number of analogue outputs		2
Analogue current output [mA]		4...20
Max. load [Ω]		500
Short-circuit protection		yes
Overload protection		yes
Measuring/setting range		
Measuring range	1...20 l/min	0.06...1.2 m ³ /h
Display range	0...24 l/min	0...1.44 m ³ /h
Resolution	0.1 l/min	0.005 m ³ /h
Analogue start point ASP	0...16 l/min	0...0.96 m ³ /h
Analogue end point AEP	4...20 l/min	0.24...1.2 m ³ /h
In steps of	0.1 l/min	0.005 m ³ /h
Measuring dynamics		1:20
Temperature monitoring		
Measuring range [$^{\circ}$ C]		-10...90
Display range [$^{\circ}$ C]		-30...110
Resolution [$^{\circ}$ C]		0.5
Analogue start point [$^{\circ}$ C]		-10...70
Analogue end point [$^{\circ}$ C]		10...90
In steps of [$^{\circ}$ C]		0.5
Accuracy / deviations		
Flow monitoring		
Accuracy (in the measuring range)		± 2 % MEW
Repeatability		$\pm 0,5$ % MEW
Temperature monitoring		
Accuracy [K]		± 1
Response times		
Flow monitoring		
Response time [s]		1; (dAP = 0)
Damping for the switching output dAP [s]		0...5
Temperature monitoring		
Dynamic response T05 / T09 [s]		T09 = 6
Software / programming		
Parameter setting options		Damping for the analogue output dAA; Display unit

SV4504



Vortex flow meter with display

SVK12XXX50KG/US-100

Operating conditions	
Ambient temperature [°C]	0...60
Note on ambient temperature	medium temperature < 80 °C medium temperature < 90 °C: 0...50 °C
Storage temperature [°C]	-20...80
Protection	IP 65; IP 67

Tests / approvals	
EMC	DIN EN 61000-6-2
	DIN EN 61000-6-3
Shock resistance	DIN EN 60068-2-27
Vibration resistance	DIN EN 60068-2-6
	5 g (11 ms) with water / 10...50 Hz 1 mm with water / 50...2000 Hz 2 g
MTTF [years]	342
UL approval	UL Approval no. I002
Pressure Equipment Directive	Sound engineering practice; can be used for group 2 fluids; group 1 fluids on request

Mechanical data	
Weight [g]	450
Materials	stainless steel (1.4404 / 316L); PC; PBT+PC-GF30; PPS; TPE-U
Materials (wetted parts)	stainless steel (1.4404 / 316L); ETFE; PA 6T; PPS; FKM
Tightening torque [Nm]	30
Process connection	threaded connection Rc 1/2 internal thread DN8

Remarks	
Remarks	MW = measured value MEW = Final value of the measuring range
Pack quantity	1 pcs.

Electrical connection

Connector: 1 x M12; Contacts: gold-plated



SV4504



Vortex flow meter with display

SVK12XXX50KG/US-100

Connection



OUT1: analogue output Temperature monitoring

OUT2: analogue output volumetric flow quantity monitoring

colours to DIN EN 60947-5-2

Core colours :

BK = black

BN = brown

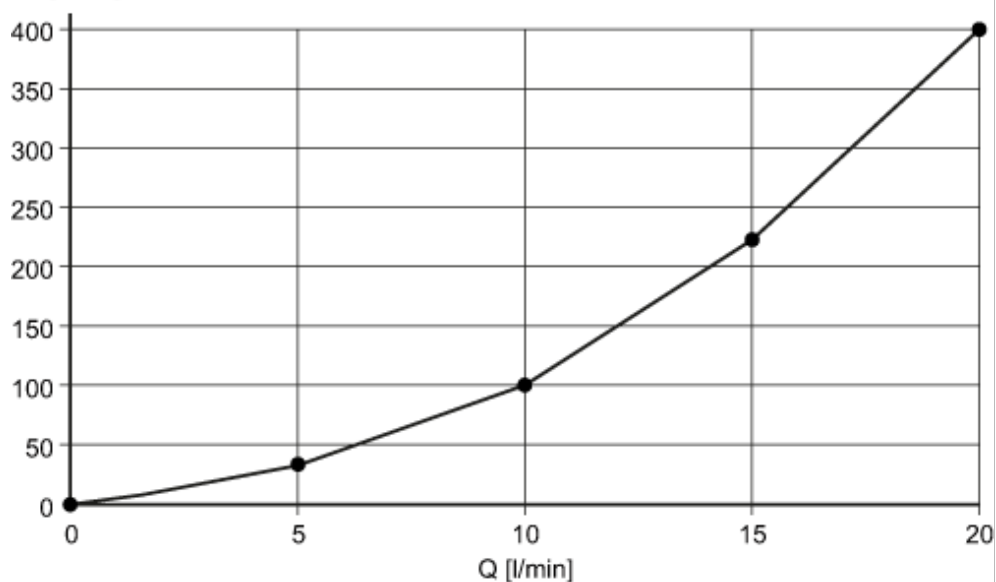
BU = blue

WH = white

Diagrams and graphs

Pressure loss

dP [mbar] DN8



dP Pressure loss

Q volumetric flow quantity

SV4504



Vortex flow meter with display

SVK12XXX50KG/US-100

pressure rating (bar)

