

CONTACTOR, AC-3 11 KW/400 V, AC 230 V, 50 HZ, 3-POLE, SIZE S0, SCREW CONNECTION



Figure similar

product brand name	SIRIUS
Product designation	power contactor

General technical data:

Degree of pollution	3
Mechanical service life (switching cycles)	
<ul style="list-style-type: none"> • of the contactor typical • of the contactor with added electronics-compatible auxiliary switch block typical • of the contactor with added auxiliary switch block typical 	<p>10 000 000</p> <p>5 000 000</p> <p>10 000 000</p>
Protection class IP	
<ul style="list-style-type: none"> • on the front • of the terminal 	<p>IP20</p> <p>IP20</p>
Equipment marking	
<ul style="list-style-type: none"> • acc. to DIN EN 61346-2 • acc. to DIN EN 81346-2 	<p>Q</p> <p>Q</p>

Main circuit:

Number of poles for main current circuit	3
Number of NC contacts for main contacts	0
Number of NO contacts for main contacts	3
Operating current	
<ul style="list-style-type: none"> • at AC-1 — at 400 V at ambient temperature 40 °C Rated value 	<p>A</p> <p>40</p>

— up to 690 V at ambient temperature 40 °C Rated value	A	40
— up to 690 V at ambient temperature 60 °C Rated value	A	35
• at AC-3		
— at 400 V Rated value	A	25
• at AC-4 at 400 V Rated value	A	15.5
Operating current with 1 current path		
• at DC-1		
— at 24 V Rated value	A	35
— at 110 V Rated value	A	4.5
• at DC-3 at DC-5		
— at 24 V Rated value	A	20
— at 110 V Rated value	A	2.5
Operating current with 2 current paths in series		
• at DC-1		
— at 24 V Rated value	A	35
— at 110 V Rated value	A	35
• at DC-3 at DC-5		
— at 110 V Rated value	A	15
— at 24 V Rated value	A	35
Operating current with 3 current paths in series		
• at DC-1		
— at 24 V Rated value	A	35
— at 110 V Rated value	A	35
• at DC-3 at DC-5		
— at 110 V Rated value	A	35
— at 24 V Rated value	A	35
Operating power		
• at AC-1 at 400 V Rated value	kW	23
• at AC-2 at 400 V Rated value	kW	11
• at AC-4 at 400 V Rated value	W	7 500
Operating power		
• at AC-3		
— at 400 V Rated value	kW	11
— at 500 V Rated value	kW	11
— at 690 V Rated value	kW	11
Control circuit/ Control:		
Type of voltage of the control supply voltage		AC
Control supply voltage with AC		
• at 50 Hz Rated value	V	230

<ul style="list-style-type: none"> Rated value 	Hz	50
Operating range factor control supply voltage rated value of the magnet coil with AC <ul style="list-style-type: none"> at 50 Hz 		0.8 ... 1.1
Apparent pick-up power of the magnet coil with AC	V·A	61
Apparent holding power of the magnet coil with AC	V·A	7.8
Inductive power factor <ul style="list-style-type: none"> with closing power of the coil with the holding power of the coil 		0.82 0.24

Auxiliary circuit:

Number of NC contacts <ul style="list-style-type: none"> for auxiliary contacts <ul style="list-style-type: none"> instantaneous contact 		0
Number of NO contacts <ul style="list-style-type: none"> for auxiliary contacts <ul style="list-style-type: none"> instantaneous contact 		0
Operating current at AC-15 <ul style="list-style-type: none"> at 230 V Rated value at 400 V Rated value 	A A	6 3
Operating current <ul style="list-style-type: none"> at DC-12 at 220 V Rated value at DC-13 at 220 V Rated value 	A A	1 0.3
Operating current <ul style="list-style-type: none"> at DC-12 <ul style="list-style-type: none"> at 60 V Rated value at 110 V Rated value at DC-13 <ul style="list-style-type: none"> at 24 V Rated value at 60 V Rated value at 110 V Rated value 	A A A A A	6 3 10 2 1
Contact reliability of the auxiliary contacts		1 faulty switching per 100 million (17 V, 1 mA)

Short-circuit:

Design of the fuse link <ul style="list-style-type: none"> for short-circuit protection of the main circuit <ul style="list-style-type: none"> with type of assignment 1 required with type of assignment 2 required for short-circuit protection of the auxiliary switch required 		fuse gL/gG: 100 A fuse gL/gG: 35 A fuse gL/gG: 10 A
--	--	---

Installation/ mounting/ dimensions:

Mounting type		screw and snap-on mounting onto 35 mm standard mounting rail according to DIN EN 50022
----------------------	--	--

• Side-by-side mounting		Yes
Height	mm	85
Width	mm	45
Depth	mm	91
Required spacing		
• for grounded parts — at the side	mm	6

Connections/ Terminals:

Type of electrical connection		
• for main current circuit		screw-type terminals
• for auxiliary and control current circuit		screw-type terminals
Type of connectable conductor cross-section		
• for main contacts		
— solid		2x (1 ... 2.5 mm ²), 2x (2.5 ... 6 mm ²), max. 2x 10 mm ²
— single or multi-stranded		2x (1 ... 2,5 mm ²), 2x (2,5 ... 6 mm ²), max. 2x 10 mm ²
— finely stranded with core end processing		2x (1 ... 2.5 mm ²), 2x (2.5 ... 6 mm ²)
• for AWG conductors for main contacts		2x (16 ... 12), 2x (14 ... 10), 1x 8
• for auxiliary contacts		
— solid		2x (0.5 ... 1.5 mm ²), 2x (0.75 ... 2.5 mm ²), max. 2x (0.75 ... 4 mm ²)
— finely stranded with core end processing		2x (0.5 ... 1.5 mm ²), 2x (0.75 ... 2.5 mm ²)
• for AWG conductors for auxiliary contacts		2x (20 ... 16), 2x (18 ... 14), 1x 12

Mechanical data:

Size of contactor		S0
--------------------------	--	----

Ambient conditions:

Installation altitude at height above sea level maximum	m	2 000
Ambient temperature		
• during operation	°C	-25 ... +60

Certificates/ approvals:

General Product Approval	Functional Safety/Safety of Machinery	Declaration of Conformity
--------------------------	---------------------------------------	---------------------------



CCC



CSA



UL



[Type Examination](#)



EG-Konf.

Test Certificates	Shipping Approval
-------------------	-------------------

[Type Test Certificates/Test Report](#)

[Special Test Certificate](#)



ABS



DNV



GL



LRS

Shipping Approval	other
-------------------	-------



RINA



RMRS

[Confirmation](#)

[Environmental Confirmations](#)

[other](#)

Further information

Information- and Downloadcenter (Catalogs, Brochures,...)

<http://www.siemens.com/industrial-controls/catalogs>

Industry Mall (Online ordering system)

<http://www.siemens.com/industrymall>

Cax online generator

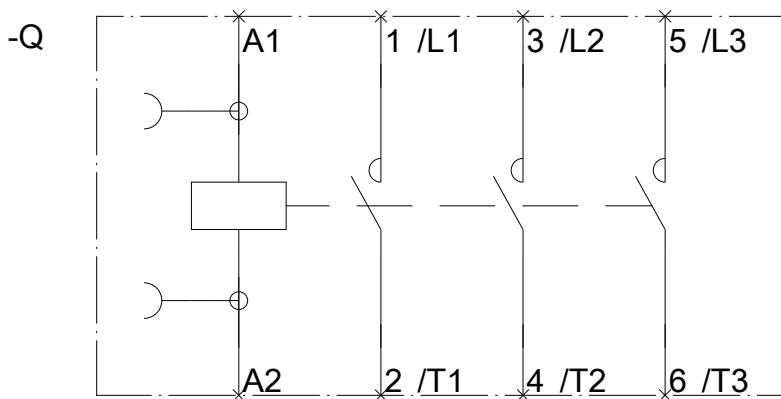
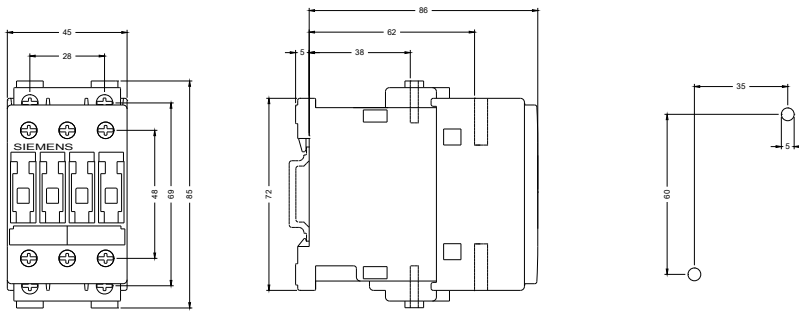
<http://support.automation.siemens.com/WW/CAXorder/default.aspx?lang=en&mfb=3RT10261AP00>

Service&Support (Manuals, Certificates, Characteristics, FAQs,...)

<http://support.automation.siemens.com/WW/view/en/3RT10261AP00/all>

Image database (product images, 2D dimension drawings, 3D models, device circuit diagrams, EPLAN macros, ...)

http://www.automation.siemens.com/bilddb/cax_de.aspx?mfb=3RT10261AP00&lang=en



last modified:

11.03.2015