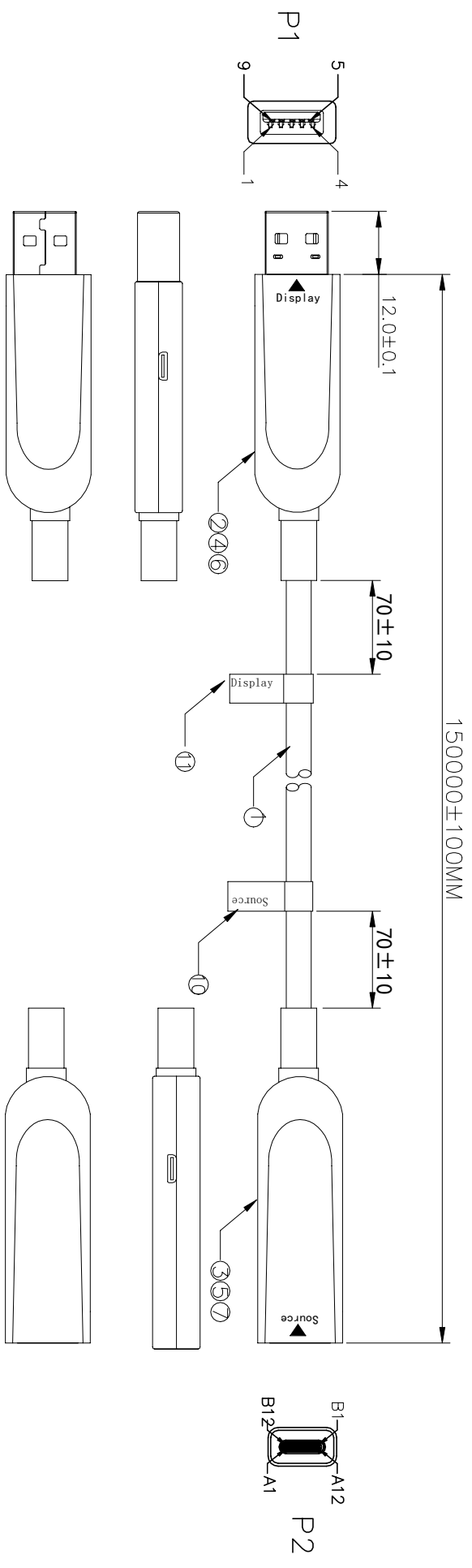


WEIGHT	CUSTOMER NO:	REMARK
	SECOMP	



NOTE:  
 1. 100% Electrical test, no short circuit,  
 Broken circuit, intermittent contact and other electrical bad;  
 2. Insulation Resistance: 5MΩ MIN/300V DC 0.01S;  
 3. Conductor Resistance: 20Ω MAX.  
 4. ROHS COMPLIANT.

11	Label	silverlabel: Display side, as drawing	1PCS
10	Label	silver Label : Source side, as drawing	1PCS
9	net	black protect net : 10*70mm	2PCS
8	cable tie	12MM wide magicing tape , Length: 150mm	2PCS
7	SR	USB AF SR molding black PVC ROHS	1PCS
6	SR	USB AM SR molding black PVC ROHS	1PCS
5	shell	USB A/F, Gray, Alloy housing	1SET
4	shell	USB A/M, Gray, Alloy housing	1SET
3	plug	USB 3.0 AF with chipset PIN G/F	1PCS
2	plug	USB 3.0 AM with chipset PIN G/F	1PCS
1	wire	(11*2#:#A)*1PCS+2*20#optical fiber+nylonHL+black TPE/6SP, no printing OD:4.8	15M
Item	物料名称 Name	物料规格 Specification	数量 Qty

A	FIRST EDITION	BAO	2023/01/05
REV. ECR	DESCRIPTION	C.N.	DATE
<p>THESE DRAWINGS AND SPECIFICATIONS ARE THE PROPERTY OF WIRETEK COMPANY LIMITED AND SHALL NOT BE REPRODUCED COPIED OR USED IN ANY MANNER WITHOUT THE PRIOR WRITTEN CONSENT OF WIRETEK COMPANY LIMITED.</p> <p>UNLESS OTHERWISE SPECIFIED: DIMENSIONS ARE IN MILLIMETERS ANGULAR TOLERANCE: ±1.0°</p> <p>TOLERANCE</p> <p>0.00 TO 30.00mm ±0.10mm</p> <p>30.01 TO 80.00mm ±0.13mm</p> <p>80.01 TO 150.00mm ±0.15mm</p> <p>150.01mm ±0.20mm</p>			
MATERIAL FINISH		MATERIAL FINISH	
FINISH		FINISH	
<p>TITLE</p> <p>ROLINE USB3.0 GEN1 ACTIVE AOC CABLE-15m</p> <p>CHKD.</p> <p>DR. BAO</p> <p>MODEL NO: 12.04.1076</p> <p>SCALE</p> <p>SHEET 1 / 1</p> <p>UNIT MM</p> <p>SIZE A4</p> <p>REV. A</p>			