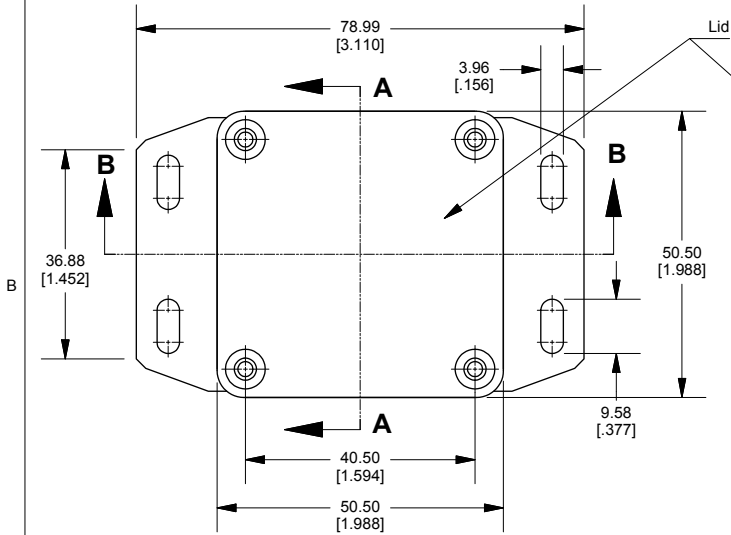
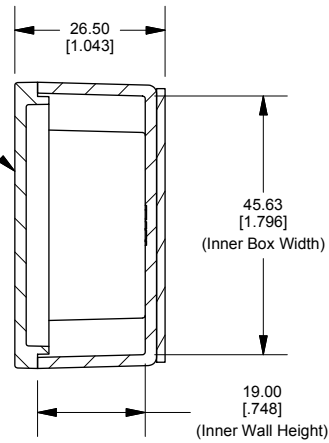


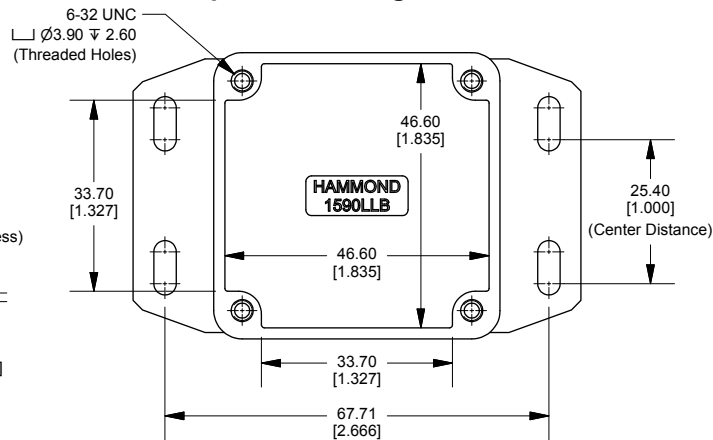
Top View of Assembly



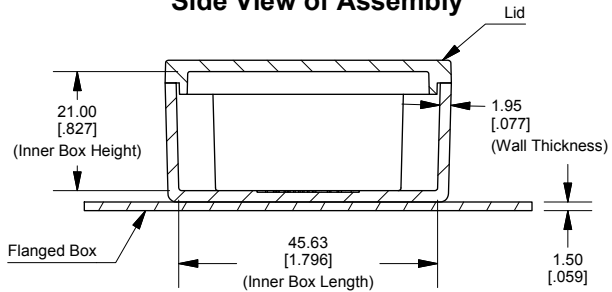
SECTION A-A End View of Assembly



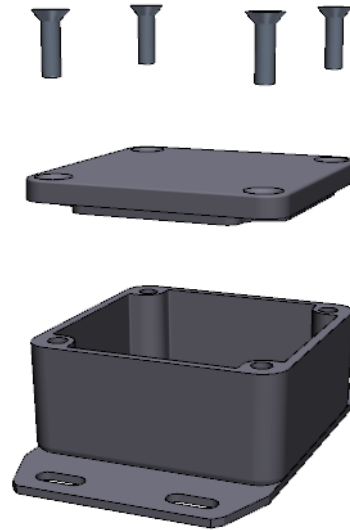
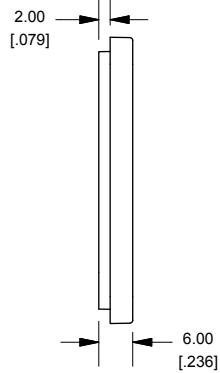
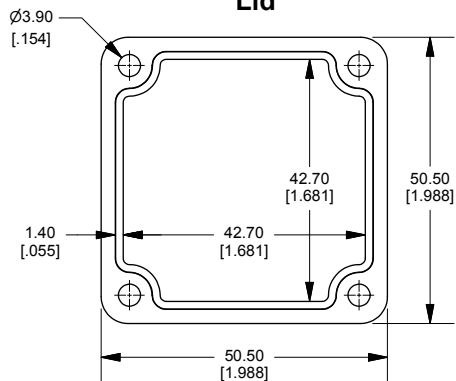
Top View Looking Inside Box



SECTION B-B Side View of Assembly



Lid



Enclosures can be Factory Modified (Milling, Drilling, Printing etc.)
 Contact Factory mjm@hammondmfg.com for quotes
 Solid models of this enclosure available in STEP or IGES.

NOTE

Purchased assembly includes box, lid and 4 cover screws.
 Box and lid are made from Diecast Aluminum Alloy.
 Silicone Gasket supplied with liquid resistant enclosure.
 Bottom Flange is Welded.

PART NUMBERS

1590LLBF Enclosure	
Natural Finish Enclosure	1590LLBF
Black Textured Enclosure	1590LLBFBK
1590LLBF Liquid Resistant Enclosure (Silicone Gasket)	
Natural Finish Enclosure	1590WLLBF
Black Textured Enclosure	1590WLLBFBK
ACCESSORIES	
Recommended Torque: 75 ozf.in / 55 cN.m	
Liquid Resistant Cover Screws	
Stainless Steel Cover Screws (Pkg 100) [6-32 x 1/2" With O-Ring]	1590WMS100
Black Stainless Steel Cover Screws (Pkg 100) [6-32 x 1/2" With O-Ring]	1590WMS100BK
Standard Cover Screws	
Plated Cover Screws (Pkg 100) [6-32 x 1/2"]	1590MS100
Black Cover Screws (Pkg 100) [6-32 x 1/2"]	1590MS100BK

HAMMOND MANUFACTURING™
1590LLBF
www.hammondmfg.com

Dimensions:
 mm
 [inches]