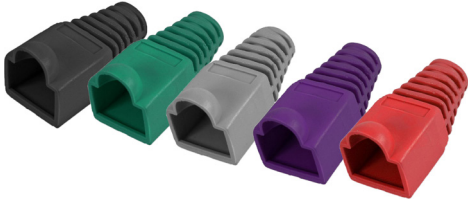


**RoHS
Compliant**



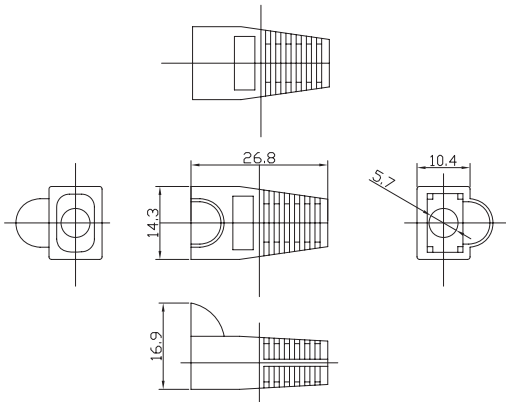
Description

Strain relief boot suitable for standard RJ45 Connectors

Specifications

Accessory Type : Strain Relief
 For Use With : RJ45 Connectors
 Strain Relief Material : PVC

Diagram



Part Number Table

Description	Colour	Package	Part Number
Strain Relief Boot, 5mm	Black	50	SH001 5 BLACK 50
	Green	10	SH001 5 GREEN
	Grey	50	SH001 5 GREY 50
	Purple		SH001 5 PURPLE 50
	Red		SH001 5 RED 50
	Blue		SH001 5 BLUE 50
	Black		10
	Blue	SH001 5 BLUE	
	Grey	SH001 5 GREY	
	Purple	SH001 5 PURPLE	
	Red	SH001 5 RED	
	White	SH001 5 WHITE	
	Yellow	SH001 5 YELL	

Dimensions : Millimetres

Important Notice : This data sheet and its contents (the "Information") belong to the members of the AVNET group of companies (the "Group") or are licensed to it. No licence is granted for the use of it other than for information purposes in connection with the products to which it relates. No licence of any intellectual property rights is granted. The Information is subject to change without notice and replaces all data sheets previously supplied. The Information supplied is believed to be accurate but the Group assumes no responsibility for its accuracy or completeness, any error in or omission from it or for any use made of it. Users of this data sheet should check for themselves the Information and the suitability of the products for their purpose and not make any assumptions based on information included or omitted. Liability for loss or damage resulting from any reliance on the Information or use of it (including liability resulting from negligence or where the Group was aware of the possibility of such loss or damage arising) is excluded. This will not operate to limit or restrict the Group's liability for death or personal injury resulting from its negligence. Multicomp Pro is the registered trademark of Premier Farnell Limited 2019.