

Index Plungers · without hexagon collar, stainless steel

22120.0480



Product Description

Index plungers are used for indexing bores.

Material

Body

- Stainless steel 1.4305

Locking pin

- Stainless steel 1.4305, nickel-plated

Knob

- Stainless steel 1.4305

Assembly

Suitable mounting tools are available.

More information

Notes

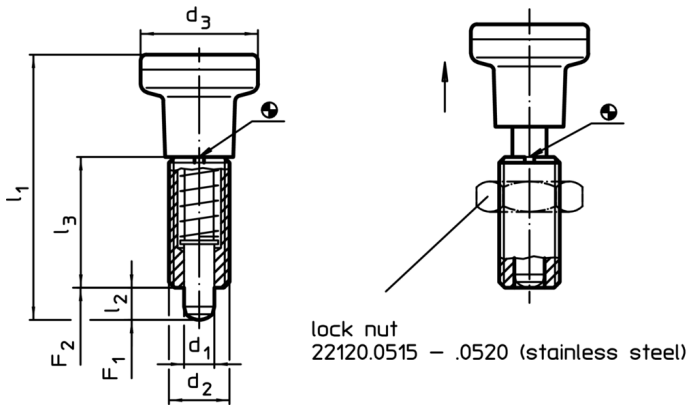
Knob not removable.

Lock nuts have to be purchased separately.

Further products

- Mounting Blocks, for index bolts and index plungers, die-cast
- Distance Collars, for index plungers

Drawing




Order information

Dimensions		Spring load ¹⁾			max.	Art. No.				
d ₁	d ₂	d ₃	l ₁	l ₂ min.	l ₃	F ₁	F ₂	max.	[g]	
-0.02			~			~	~	[°C]		
-0.04		[mm]				[N]				
stainless steel										
10	M20 x 1,5	31	80	10	41	23	54	250	165	22120.0480

¹⁾ statistical average value

Accessories

	Dimensions d ₂ [mm]	Wrench size [mm]	 [g]	Art. No.
Lock nuts ISO 8675 (DIN 439), stainless steel				
	M20 x 1,5	30	32.0	22120.0520
Assembly Tool, steel				
	M20 x 1,5	-	27.0	22120.0960

Compliance

RoHS compliant

Compliant according to Directive 2011/65/EU and Directive 2015/863

Does not contain SVHC substances

No SVHC substances with more than 0.1% w/w contained - SVHC list [REACH] as of 10.06.2022

Does not contain Proposition 65 substances

No Proposition 65 substances included
<https://www.P65Warnings.ca.gov/>

Free from Conflict Minerals

This product does not contain any substances designated as "conflict minerals" such as tantalum, tin, gold or tungsten from the Democratic Republic of Congo or adjacent countries.