

## Clamping Devices Actima

23260.0015



### Product Description

The compact clamping element can be converted between pull and push clamping strain, depending on the model. The travel path is 10 mm. Within the short clamp travel of 2 mm, self-locking occurs in any position. The maximum permitted clamping force is 4.9 kN.

### Material

#### Housing

- Thermoplastic, black

#### Body

- Steel, blackened

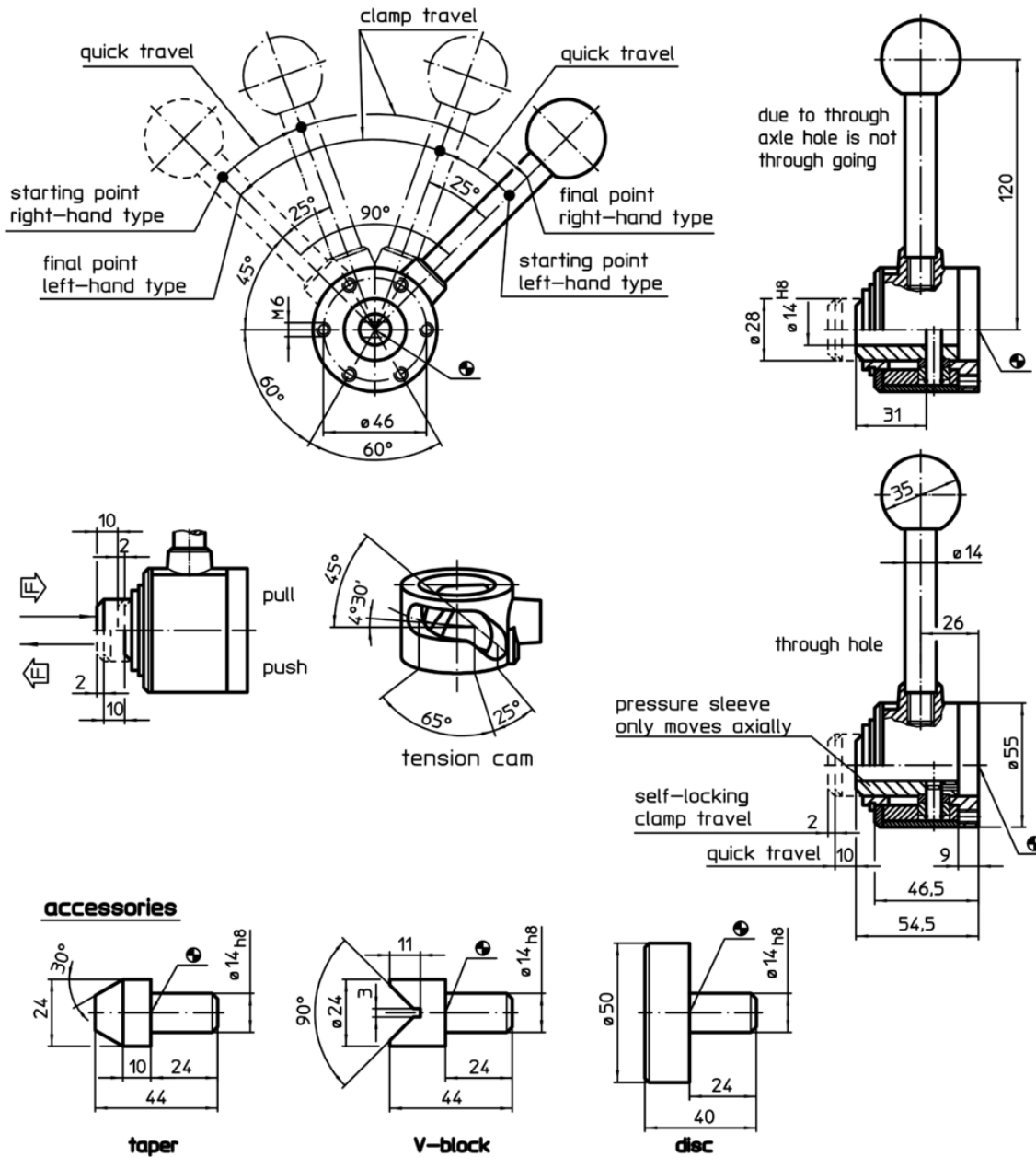
#### Ball knob

- DIN 7708 - thermosetting plastic (PF 31), red similar to RAL 3003


#### Accessories

- Steel, blackened





Drawing



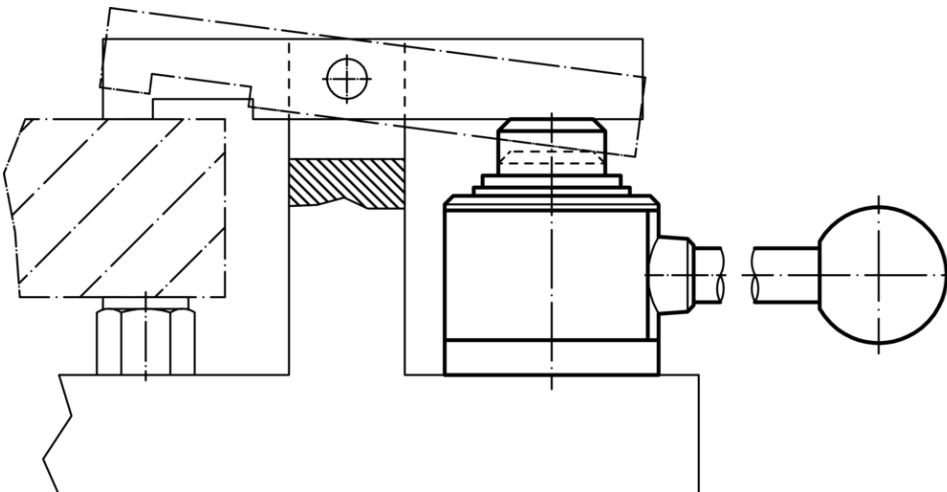
Order information

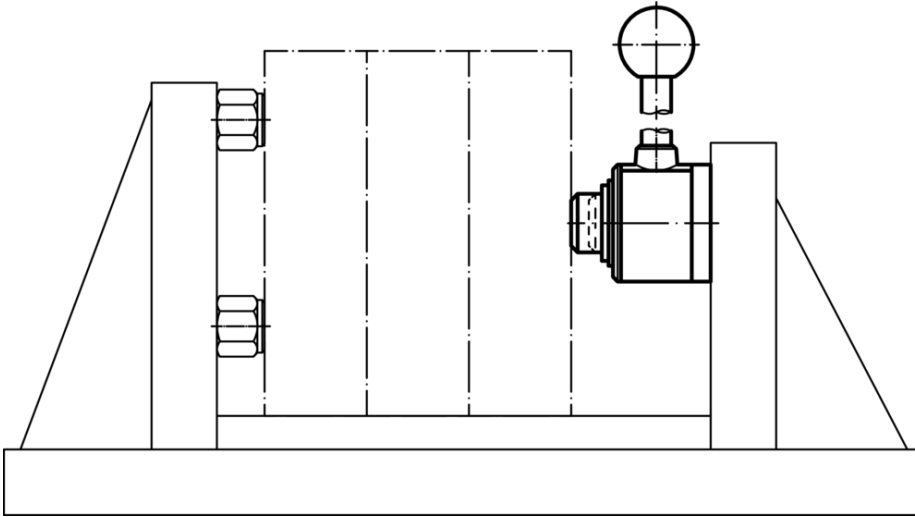
Travel path [mm]	s Clamping way [mm]	Clamping force max. [kN]	 [g]	Art. No.
pull to left, with throughgoing bore				
10	2	4.9	750	23260.0015

Accessories

	 [g]	Art. No.
<b>Disc</b>		
	270	23260.0042
<b>taper</b>		
	85	23260.0044
<b>V-block</b>		
	82	23260.0046

Application example





## Compliance

### RoHS compliant

Contains lead - compliant according to exceptions 6a / 6b / 6c

### Contains SVHC substances >0,1% w/w

Contains lead - SVHC list [REACH] as of 10.06.2022

### Contains Proposition 65 substances



Lead can cause cancer and reproductive harm from exposure  
<https://www.P65Warnings.ca.gov/>

### Free from Conflict Minerals

This product does not contain any substances designated as "conflict minerals" such as tantalum, tin, gold or tungsten from the Democratic Republic of Congo or adjacent countries.