

## Dot laser, red, 650 nm, 0.4 mW

DD650-0.4-3(16x60)  
Order Number: 70145052

| Main Parameters (*)   | min | typ | max | Unit |
|-----------------------|-----|-----|-----|------|
| Wavelength            |     | 650 |     | nm   |
| Optical Output Power  |     | 0.4 |     | mW   |
| Operating Voltage     | 2.7 | 3   | 3.3 | V DC |
| Operating Current     | 10  | 30  | 50  | mA   |
| Operating Temperature | -10 |     | 50  | °C   |
| Storage Temperature   | -40 |     | 80  | °C   |

### Main Data

Warranty 1 years

### Technical Parameters

Lifetime > 5,000 h  
RoHS yes

### Optical Parameters

|                    |                      |
|--------------------|----------------------|
| Beam Shape         | Dot                  |
| Laser Class        | 1                    |
| Divergence         | D - 0.5 mrad         |
| Beam Diameter      | 2.5 mm               |
| Size of Laserdot   | <3..5mm@10m          |
| Operating Distance | 50 m                 |
| Optics             | glass lens AR coated |
| Beam Mode          | TEM00                |
| Laser technology   | Single Mode Diode    |
| Focus              | collimated           |

### Electrical Parameters

Potential of Housing isolated  
Power Supply LFNT-3

### Mechanical Parameters

|                   |                            |
|-------------------|----------------------------|
| Size              | Ø16x60 mm                  |
| Material          | aluminium                  |
| Cable length      | 100 mm                     |
| Wire type         | 26AWG, 0,14mm <sup>2</sup> |
| Output Aperture   | 5 mm                       |
| Housing Color     | black                      |
| Weight            | 43 g                       |
| Stripping of wire | 5 mm                       |

(\*) Over the complete operating temperature range

## Features



- Operating Voltage 3 V DC
- Laser Class 1
- Fixed focus
- Image processing
- Compact size

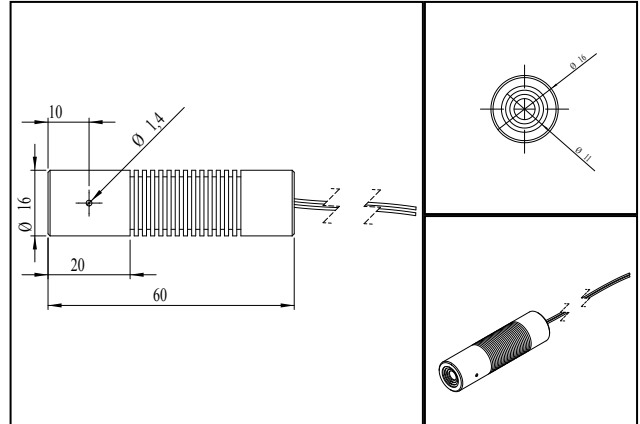
## Picture



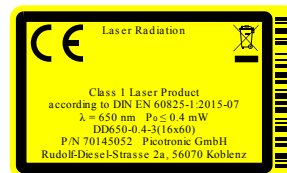
## Cable color

|          |  |       |                       |
|----------|--|-------|-----------------------|
| Ground   |  | black | GND                   |
| positive |  | red   | 2.7 - 3.3, typ 3 V DC |

## Drawing



## Safety Label



## Valid Revision

| 03-MAR-2021