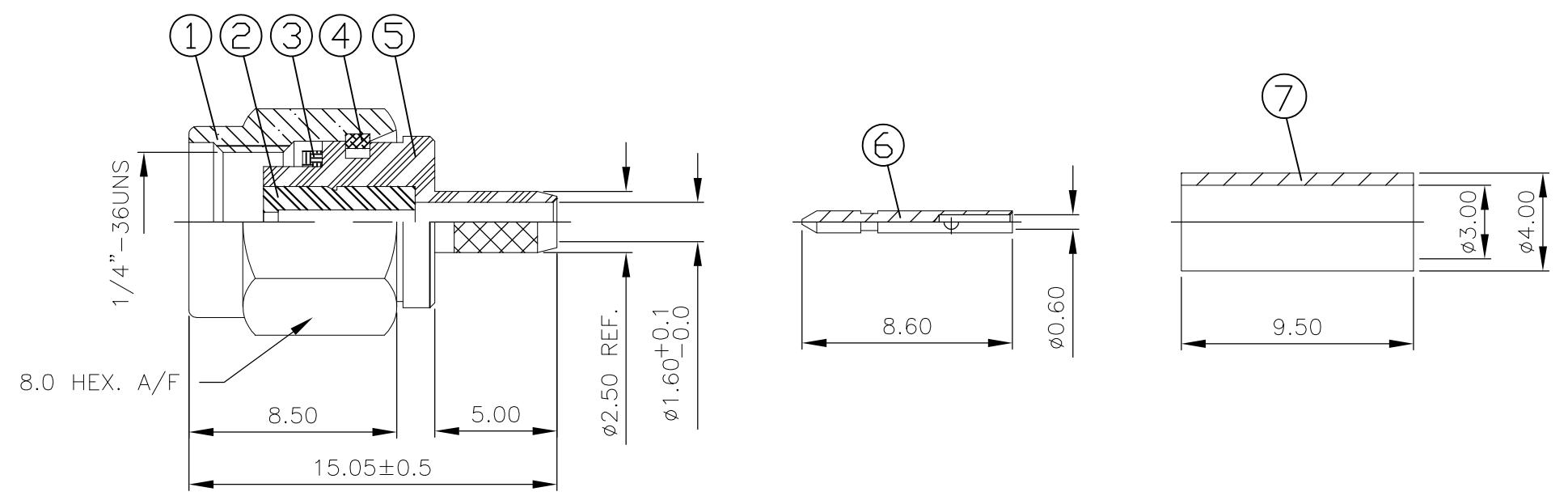


THIS DRAWING IS UNPUBLISHED. RELEASED FOR PUBLICATION APRIL, 2004.
 © COPYRIGHT 2004 By - ALL RIGHTS RESERVED.

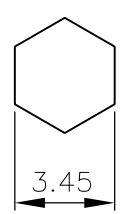
LOC	DIST	REVISIONS					
E	B	P	LTR	DESCRIPTION	DATE	DWN	APVD
		A1		REVISED PER ECO-11-005033	01APR11	RK	HMR

- NOTES:
- ① SINGLE PACK IN ACCORDANCE WITH SPEC 107-3275
 - ② 100 TRAY PACK IN ACCORDANCE WITH SPEC 107-3275
 - ③ 0.08μm Au PLATING OVER 1.27μm Ni PLATING
 - ④ 0.08μm Au PLATING OVER 1.27μm Ni PLATING OVER 0.76μm Cu PLATING
 - ⑤ 0.76μm Au PLATING OVER 1.27μm Ni PLATING OVER 0.76μm Cu PLATING
 - ⑥ PASSIVATED
 - ⑦ WHITE BRONZE PLATING
 - ⑧ PLATING AS PER BODY, EXCEPT FOR PASSIVATED WHICH IS NICKEL PLATED
 - 9 HAND TOOL 9-1478240-0
 - 10 DIE SET 9-1478248-0
 - 11 FOR TECHNICAL DATA REFER TO YOUR LOCAL TE CONNECTIVITY SALES OFFICE
 - 12 ALL DIMENSIONS ARE NOMINAL FOR REFERENCE ONLY UNLESS OTHERWISE STATED

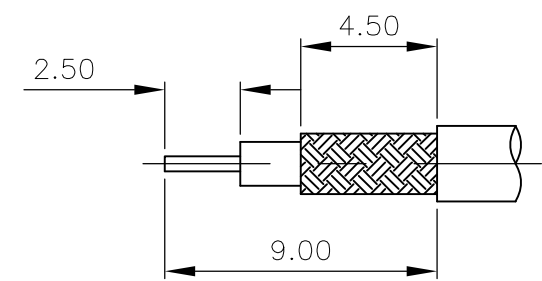


1	1	1	1	1	1	1	1	BRASS	⑧	CRIMP SLEEVE	7
1	1	1	1	1	1	1	1	BRASS	⑤	CENTER CONTACT	6
1	1	-	-	-	-	-	-	BRASS	⑦	BODY	5
-	-	1	1	-	-	-	-	BRASS	④	BODY	5
-	-	-	-	1	1	-	-	STAINLESS STEEL	⑥	BODY	5
-	-	-	-	-	-	1	1	STAINLESS STEEL	③	BODY	5
1	1	1	1	1	1	1	1	STAINLESS STEEL		CIRCLIP	4
1	1	1	1	1	1	1	1	SILICON		GASKET	3
1	1	1	1	1	1	1	1	PTFE		INSULATOR	2
1	1	-	-	-	-	-	-	BRASS	⑦	SHELL	1
-	-	1	1	-	-	-	-	BRASS	④	SHELL	1
-	-	-	-	1	1	-	-	STAINLESS STEEL	⑥	SHELL	1
-	-	-	-	-	-	1	1	STAINLESS STEEL	③	SHELL	1
4--1	4--0	3--1	3--0	2--1	2--0	1--1	1--0	MATERIAL		DESCRIPTION	ITEM
②	①	②	①	②	①	②	①				

RECOMMENDED CRIMP SLEEVE A/F HEX



RECOMMENDED CABLE STRIPPING DIM'S



THIS DRAWING IS A CONTROLLED DOCUMENT.		DWN R.SMITH 03FEB04	STE TE Connectivity	
DIMENSIONS: mm		CHK S.PARLOW 03FEB04		
TOLERANCES UNLESS OTHERWISE SPECIFIED:		APVD F.WHEELER-KING 03FEB04	NAME SMA STRAIGHT PLUG NON CAPTIVE SOLDER CONTACT CRIMP ATTACHMENT	
0 PLC ± -		PRODUCT SPEC 108-3460	RG174A/U, 188A/U, 316/U, KX3B, KX22A	
1 PLC ± -		APPLICATION SPEC 411-3276	SIZE A3	CAGE CODE 00779
2 PLC ± -		WEIGHT -	DRAWING NO C-1478916	RESTRICTED TO -
3 PLC ± -		CUSTOMER DRAWING		
4 PLC ± -		SCALE 1:1		
ANGLES ± -		SHEET 1 OF 1		
FINISH -		REV A1		