

PLEASE CHECK WWW.MOLEX.COM FOR LATEST PART INFORMATION

Part Number: [1718260100](#)
Status: **Active**
Overview: Super Sabre Connector System
Description: Super Sabre Male Crimp Terminal

Documents:

[Drawing \(PDF\)](#) [Product Specification TS-171825-001-001 \(PDF\)](#)
[Product Specification PS-171825-001-001 \(PDF\)](#) [RoHS Certificate of Compliance \(PDF\)](#)

General

Product Family Crimp Terminals
 Series [171826](#)
 Application Power, Signal, Wire-to-Wire
 Crimp Quality Equipment Yes
 Overview [Super Sabre Connector System](#)
 Product Name Super Sabre
 UPC 887191539348

Physical

Gender Male
 Material - Metal Copper
 Material - Plating Mating Silver
 Material - Plating Termination Matte Tin, Nickel
 Net Weight 0.746/g
 Packaging Type Reel
 Wire Insulation Diameter n/a
 Wire Size AWG 10, 12
 Wire Size mm² N/A

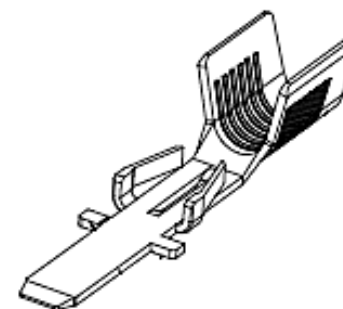
Solder Process Data

Lead-freeProcess Capability N/A

Material Info

Reference - Drawing Numbers

Product Specification PS-171825-001-001, TS-171825-001-001
 Sales Drawing SD-171826-001-000



Series image - Reference only

EU ELV

Compliant

EU RoHS

Compliant

REACH SVHC

Not Contained Per
 -ED/88/2018 (15
 January 2019)

Halogen-Free

Status

Low-Halogen

For more information, please visit [Contact US](#)

China ROHS

ELV

RoHS Phthalates

China RoHS

Green Image

Compliant

Not Contained

Search Parts in this Series

[171826](#) Series

Use With

[43680](#) 7.50mm Pitch Sabre Plug Crimp
 Housing
[172673](#) 7.50mmPitch Super
 Sabre Plug Crimp Housing

Application Tooling | FAQ

Tooling specifications and manuals are found by selecting the products below. Crimp Height Specifications are then contained in the Application Tooling Specification document.

Global

Description	Product #
Hand Tool for Super-Sabre Crimp Terminals	638271600
Hand Tool for Super-Sabre Crimp Terminals	638271700
Mini-Mac Applicator for Super Sabre Male Terminals	638953300

This document was generated on 04/17/2019

PLEASE CHECK WWW.MOLEX.COM FOR LATEST PART INFORMATION