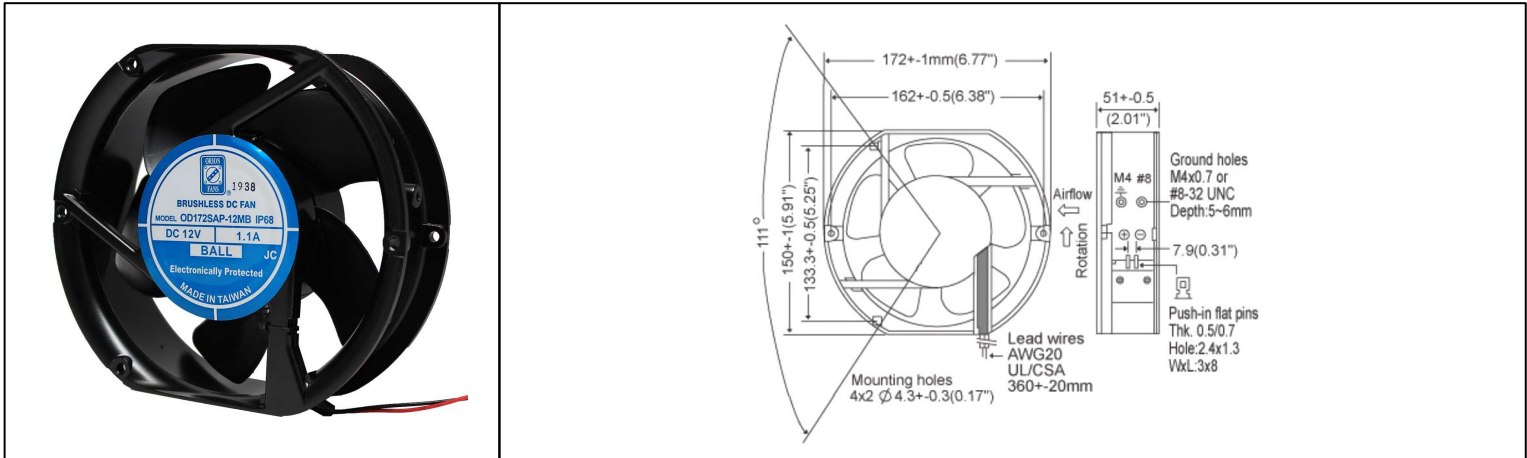


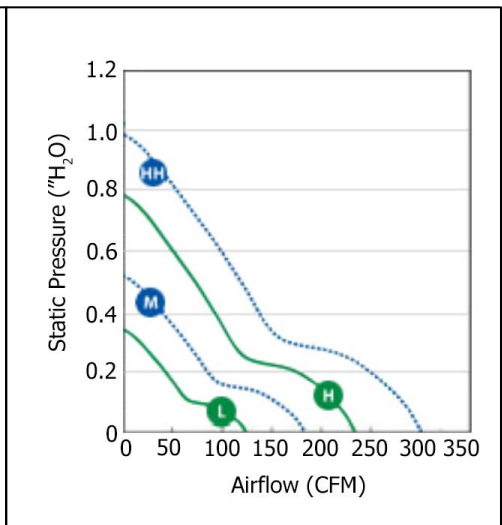
OD172SAP-IP68 Series



DC Fan, 12, 24, 48V
172x150x51mm (6.7"x5.9"x2.0")



Frame	Die-cast Aluminum, Black finish	Operating Temperature -15°C ~ +65°C Storage Temperature -25°C ~ +80°C Life Expectancy 90,000 hours (L10 at 35°C) Available Options Tachometer Alarm PWM Weight: 1.8 lbs m0
Impeller	PBT, UL94 V-0 plastic	
Connection	2x Lead wires 20 AWG	
Motor	Brushless DC, Auto Restart, Polarity Protected, Electronically Protected, IP68	
Bearing System	Dual Ball Bearings	
Dielectric Strength	500VAC/min	
Insulation Resistance	10M ohm between leadwires and frame (500 VDC)	



Part Number	Rated Voltage	Input Power	Rated Current	Rated Speed (RPM)	Airflow (CFM)	Noise Level (dB)	Max. Static Pressure
OD172SAP-12MBIP68	12 VDC	13.2 W	1.1 A	2500	180	42	0.51"H ₂ O
OD172SAP-12LBIP68	12 VDC	5.5 W	0.45 A	1600	125	32	0.35"H ₂ O
OD172SAP-24HHBIP68	24 VDC	50.4 W	2.1 A	3900	300	57	0.98"H ₂ O
OD172SAP-24HBIP68	24 VDC	24.0 W	0.97 A	3300	235	52	0.79"H ₂ O
OD172SAP-24MBIP68	24 VDC	13.0 W	0.52 A	2500	180	42	0.51"H ₂ O
OD172SAP-24LBIP68	24 VDC	5.0 W	0.20 A	1600	125	32	0.35"H ₂ O
OD172SAP-48HHBIP68	48 VDC	49.4 W	1.03 A	3900	300	57	0.98"H ₂ O
OD172SAP-48HBIP68	48 VDC	23.5 W	0.48 A	3300	235	52	0.79"H ₂ O
OD172SAP-48MBIP68	48 VDC	14.5 W	0.30 A	2500	180	42	0.51"H ₂ O
OD172SAP-48LBIP68	48 VDC	5.8 W	0.12 A	1600	125	32	0.35"H ₂ O