

ZEICHNUNG GESCHÜTZT DURCH  
 ©COPYRIGHT 1988  
 AMP DEUTSCHLAND GMBH  
 ALLE RECHTE VORBEHALTEN

REV.	ÄNDERUNG	DATUM	NAME
1	MASS 2.54 <sup>+0.3</sup> / <sub>-0.1</sub> WAR 2.54		
1	MASS 3.0±0.2 WAR 3.0 HINZU ALLG. TOLERANZ ±0.1	02.11.88	AUGUSTINIAK
2	ZEICHNUNG IN EUROPEAN PROJECTION GEÄNDERT	04.12.90	A.HO
3	LÖTLÄNGE VON 3 IN 3.1 GEÄNDERT	12.03.92	A.HO
C	VERPACKUNGSANGABE HINZU	15.01.96	F.RDT

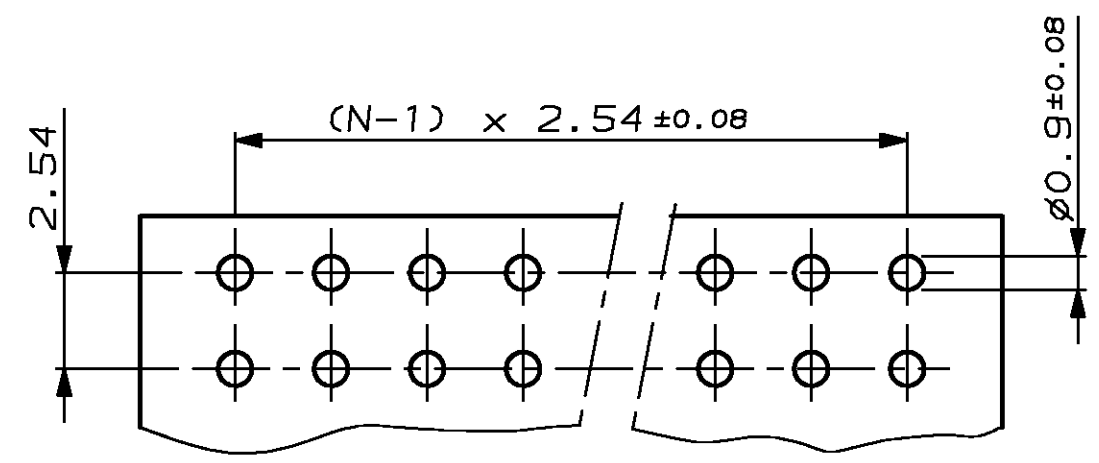
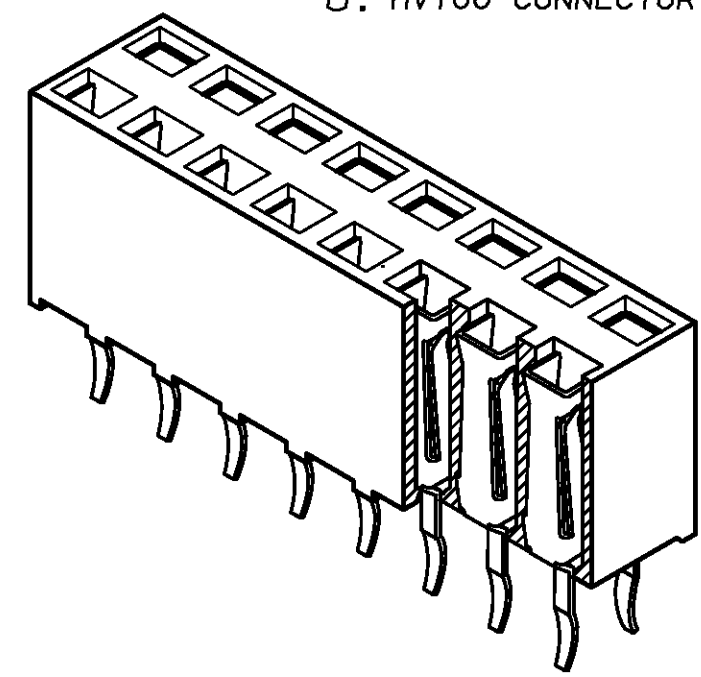
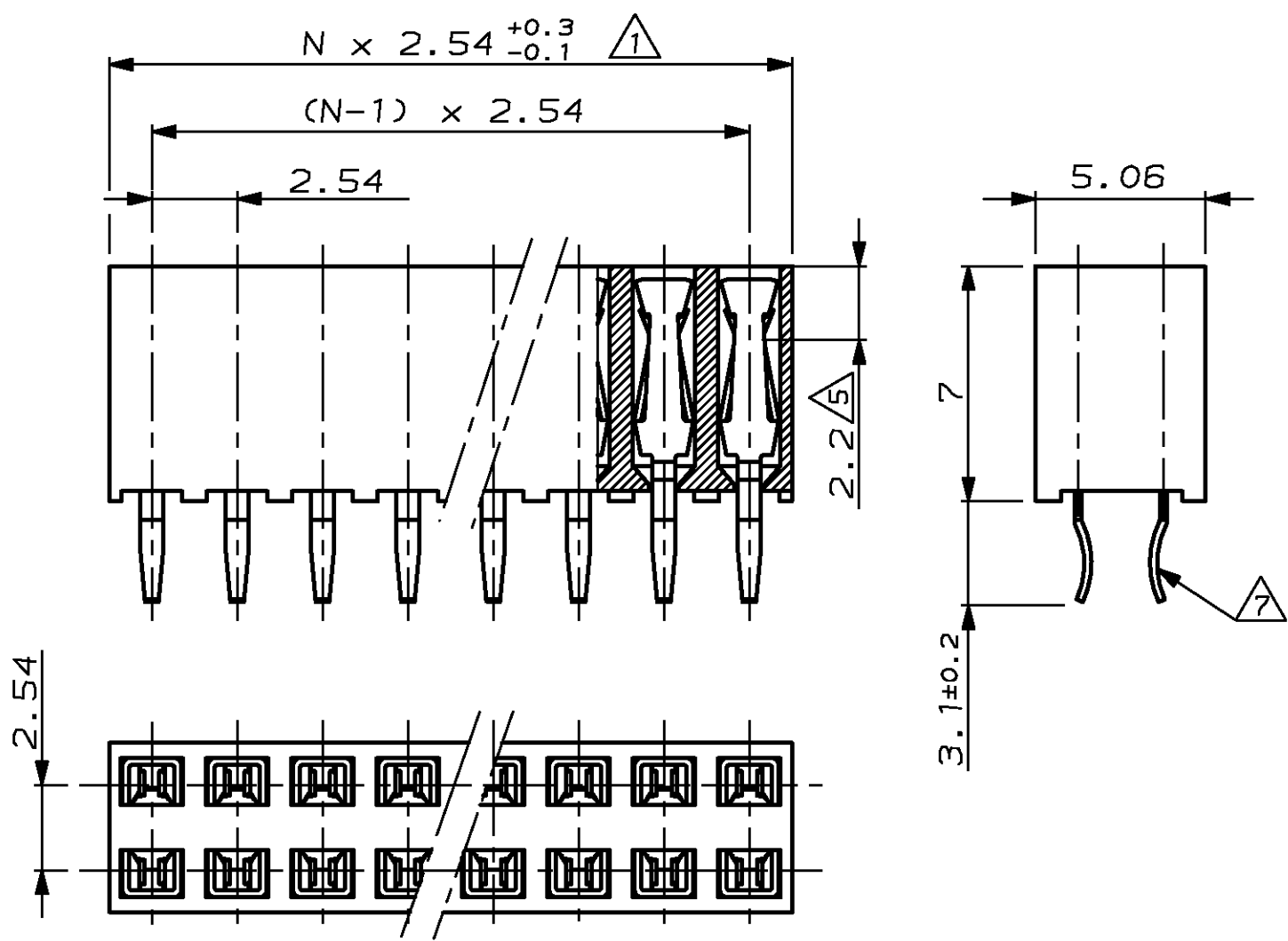
DO NOT SCALE  
 DIMENSIONS IN mm

METRIC



NOTES:

- TO DETERMINE DIMENSIONS TAKE  $2 \times N = \text{NR. OF POS.}$ .  
 FOR EXAMPLE:  $2 \times 10 \text{ POS.} = N \times 2,54 = 25,4 \text{ mm.}$   
 FOR ORDERNR. USE BASIC NR. + NR. OF POS.  
 FOR EXAMPLE:  $2 \times 2 \text{ POS.} = 215 307-2$  (SHORTEST VERSION)  
 $2 \times 36 \text{ POS.} = 3-215 307-6$  (LONGEST VERSION)
- HOUSING MATERIAL: GREEN GLASSFILLED POLYESTER, UL 94V-0  
 CONTACT MATERIAL: PHOSPHORBRONZE.
- PLATING: UNDERCOATING:  $1,3 \mu\text{m Ni.}$   
 AT CONT.PLACE:  $0,8 \mu\text{m Au.}$   
 AT SOLDER-TYNES:  $2,5 \mu\text{m Sn.Pb.}$
- MATES WITH 0,63 SQUARE/ROUND MODU POSTS.
- CONTACT-POINT.
- RECOMMENDED P.C.BOARD-THICKNESS: 1,6.
- RETENTION FEATURE.
- HV100 CONNECTOR PACKED IN ANTISTATIC BLISTER



P.C.-BOARD HOLE-PATTERN

NICHT TOLERIERTE MASSE	± 0.1mm
MASSTAB	5:1

VERWENDET FÜR E 91-52 572	SEE NOTES FINISH	SEE NOTES MATERIAL	SEE NOTES PARTNUMBER
CUSTOMER DRAWING	<b>AMP</b>		
FOR REFERENCE ONLY WILL NOT BE UPDATED	AMP-HOLLAND B.V. 's-Hertogenbosch, The Netherlands.		
	THIS DRAWING IS UNPUBLISHED   RELEASED FOR PUBLICATION 8.5.1987		
	© COPYRIGHT 1987 BY AMP-HOLLAND B.V. ALL INTERNATIONAL RIGHTS RESERVED. AMP PRODUCTS MAY BE COVERED BY U.S. AND FOREIGN PATENTS AND/OR PATENTS PENDING.		
DR. R.VISSER	DATE 08.05.87	WIRE RANGE -	NAME HV 100 VERTICAL CONNECTOR
CHK. W.SIMONS	DATE	INSUL.RANGE -	DUAL ROW, 7,0mm HEIGHT, TOP ENTRY, GOLD, MAX. 2x36 POSITIONS.
APP. L.v. SOEST	DATE	SIZE A3	SHEET 1 OF 1
		DWG. No.	215307
		REV. DATE D M Y	150196
		REV. LTR.	C

8 | 7 | 6 | 5 | 4 | 3 | 2 | 1