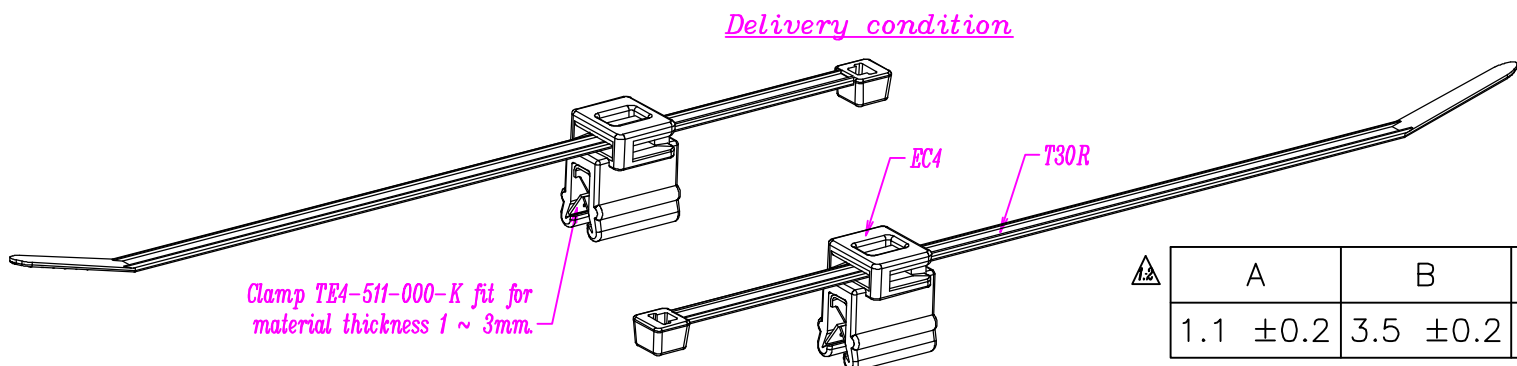
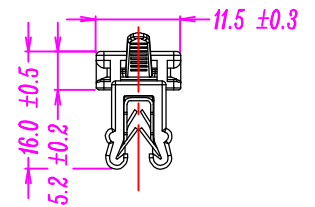
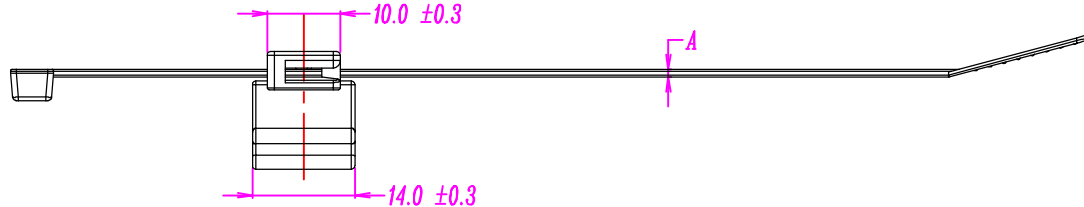


Revision Level		Revision Record	Changed	Date	Approval	Date
Part	Drawing					
	⚠	Updated pictogramme and drawing template.	SIMON NG	29-July-19	Edward Tan	29-July-19
	⚠	Added HT Global project Number.	SIMON NG	29-July-19	Edward Tan	29-July-19
	⚠	Added cable tie dimensions chart	SIMON NG	29-July-19	Edward Tan	29-July-19



⚠	A	B	G
	1.1 ±0.2	3.5 ±0.2	150 ±5

Material	P.A. 66
Tensile strength	135N (Minimum)
PERFORMANCE SPECIFICATION	

	Drawn MANDY ONG 11 Nov 2010	Scale: 1 : 1	Reference: 14.1482
	Approved. EDWARD TAN 11 Nov 2010	Title T30REC4B	
The copyright of this drawing is reserved by HELLERMANN TYTON. It is issued on condition that it is not reproduced, copied or disclosed to a third party, either wholly or in part, without the consent of HELLERMANN TYTON.		Drawing-No [SG10019-01] 99-0760-012-CSH	
545, Yishun Industrial Park A Yishun Avenue 7 Singapore 768741 Tel: (+65) 6852 8585 Fax: (+65) 6756 6798			Format A4 Sheet 1 of 1

Uncontrolled Document