

# Special function module - AXL SE INC1 ASYM



1182185

<https://www.phoenixcontact.com/pc/products/1182185>

Please be informed that the data shown in this PDF document is generated from our Online Catalog. Please find the complete data in the user documentation. Our General Terms of Use for Downloads are valid.



Axioline Smart Elements, Position detection module, Incremental encoder input: 1, Asymmetrical encoder, Digital inputs: 2, 24 V DC, degree of protection: IP20

## Product Description

You can integrate Axioline Smart Elements into systems with the Smart Element interface. This Smart Element detects the positions of incremental encoders.

## Your advantages

- Acquisition of digital signals from asymmetrical incremental encoders (A, B, Z)
- Acquisition of pulses of up to 300 kHz
- Evaluating linear or rotary axes
- Power supply for 5 V or 24 V encoder
- 1 input can be used for referencing
- Latch function for quick buffering of positions
- 32-bit register to output the measured increments
- Device rating plate stored

## Commercial Data

Item number	1182185
Packing unit	1 pc
Minimum order quantity	1 pc
Product Key	DRIB61
GTIN	4063151218379
Weight per Piece (including packing)	38.44 g
Weight per Piece (excluding packing)	35 g
Customs tariff number	85389091
Country of origin	DE

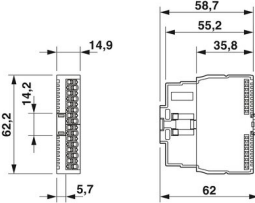
# Special function module - AXL SE INC1 ASYM

1182185

<https://www.phoenixcontact.com/pc/products/1182185>

## Technical Data

### Dimensions

Dimensional drawing	
Width	14.9 mm
Height	62.2 mm
Depth	62 mm

### Notes

#### Utilization restriction

EMC note	EMC: class A product, see manufacturer's declaration in the download area
----------	---

### Material specifications

Color	traffic grey A RAL 7042
-------	-------------------------

### Interfaces

#### Smart Element interface

Number of interfaces	1
Connection method	Card edge connector
Transmission speed	See system in which you use the Smart Element.
Start time until ready to operate	< 500 ms

### System properties

#### Module

ID code (hex)	none
Process data channel	80 Bit
Input address area	10 Byte
Output address area	10 Byte
Required parameter data	19 Byte
Required configuration data	7 Byte

### Input data

#### Digital

Input name	Digital inputs
Description of the input	EN 61131-2, type 3

# Special function module - AXL SE INC1 ASYM



1182185

<https://www.phoenixcontact.com/pc/products/1182185>

Number of inputs	2 (DI Ref, DI L)
Connection method	Push-in connection
Connection technology	1-conductor
Input voltage range "0" signal	-3 V DC ... 5 V DC
Input voltage range "1" signal	11 V DC ... 30 V DC
Nominal input voltage $U_{IN}$	24 V DC
Nominal input current at $U_{IN}$	3 mA
Protective circuit	Transient protection; Suppressor diode

## Encoder

Number of inputs	1 (A, B, Z)
Input name	Incremental encoder input
Encoder signals	Asymmetrical encoder
Cable length	< 30 m (Shielded cable)

## Product properties

Type	modular
Product type	I/O component
Mounting position	See the system in which the Smart Element is used.

## Insulation characteristics

Overvoltage category	II (IEC 60664-1)
Pollution degree	2 (EN 60664-1)

## Electrical properties

### Encoder

5 V encoder supply	
Number	1 (+5 V)
Nominal output voltage	5 V DC
Voltage range	5 V DC ... 5.5 V DC
Current carrying capacity	max. 300 mA
Protective circuit	Short-circuit protection; Electrical and thermal
	Overload protection
	Transient protection; Suppressor diode
Number	
Number	1 (+24 V)
Nominal output voltage	24 V DC
Voltage range	19.2 V DC ... 30 V DC
Current carrying capacity	max. 500 mA
Protective circuit	Short-circuit protection; Electrical (from approx. 600 mA)
	Overload protection
	Transient protection; Suppressor diode
Number	
Number	1 (A, B, Z)
Designation	Asymmetrical incremental encoder
Input frequency	max. 300 kHz

# Special function module - AXL SE INC1 ASYM



1182185

<https://www.phoenixcontact.com/pc/products/1182185>

## Potentials: Communications power supply of the Smart Elements ( $U_{SE}$ )

Supply voltage	using card edge connectors
----------------	----------------------------

## Potentials: I/O supply ( $U_P$ )

Supply voltage	24 V DC (using card edge connectors)
Supply voltage range	19.2 V DC ... 30 V DC (including all tolerances, including ripple)
Current draw	max. 700 mA
	typ. 512 mA
Current consumption	min. 11 mA (without connected peripherals)
Power consumption	max. 21 W (of which 1.55 W internal losses)
	min. 264 mW
Protective circuit	Surge protection; See the system in which the Smart Element is used.
	Reverse polarity protection; Polarity protection diode

## Connection data

### Connection technology

Connection name	I/O
Note on the connection method	Please observe the information provided on conductor cross sections in the "AxioLine Smart Elements" user manual.

### Conductor connection

Connection method	Push-in connection
Conductor cross section solid	0.25 mm <sup>2</sup> ... 1.5 mm <sup>2</sup>
Conductor cross section flexible	0.25 mm <sup>2</sup> ... 1.5 mm <sup>2</sup>
Conductor cross section AWG	24 ... 16
Conductor cross section flexible, with ferrule without plastic sleeve	0.25 mm <sup>2</sup> ... 1.5 mm <sup>2</sup>
Conductor cross section, flexible, with ferrule, with plastic sleeve	0.25 mm <sup>2</sup> ... 1.5 mm <sup>2</sup>
Stripping length	8 mm

### I/O

Connection method	Push-in connection
Note on the connection method	Please observe the information provided on conductor cross sections in the "AxioLine Smart Elements" user manual.
Conductor cross section, rigid	0.25 mm <sup>2</sup> ... 1.5 mm <sup>2</sup>
Conductor cross section, flexible	0.25 mm <sup>2</sup> ... 1.5 mm <sup>2</sup>
Conductor cross section AWG	24 ... 16
Conductor cross section, flexible, with ferrule, with plastic sleeve	0.25 mm <sup>2</sup> ... 1.5 mm <sup>2</sup>
Conductor cross section flexible, with ferrule without plastic sleeve	0.25 mm <sup>2</sup> ... 1.5 mm <sup>2</sup>
Stripping length	8 mm

## Ambient conditions

Ambient temperature (operation)	-25 °C ... 60 °C
Degree of protection	IP20

# Special function module - AXL SE INC1 ASYM



1182185

<https://www.phoenixcontact.com/pc/products/1182185>

Air pressure (operation)	70 kPa ... 106 kPa (up to 3000 m above sea level)
Air pressure (storage/transport)	70 kPa ... 106 kPa (up to 3000 m above sea level)
Ambient temperature (storage/transport)	-40 °C ... 85 °C
Permissible humidity (operation)	5 % ... 95 % (non-condensing)
Permissible humidity (storage/transport)	5 % ... 95 % (non-condensing)

## Standards and regulations

Protection class	III (IEC 61140, EN 61140, VDE 0140-1)
------------------	---------------------------------------

## Mounting

Mounting type	Smart Element slot
Mounting position	See the system in which the Smart Element is used.

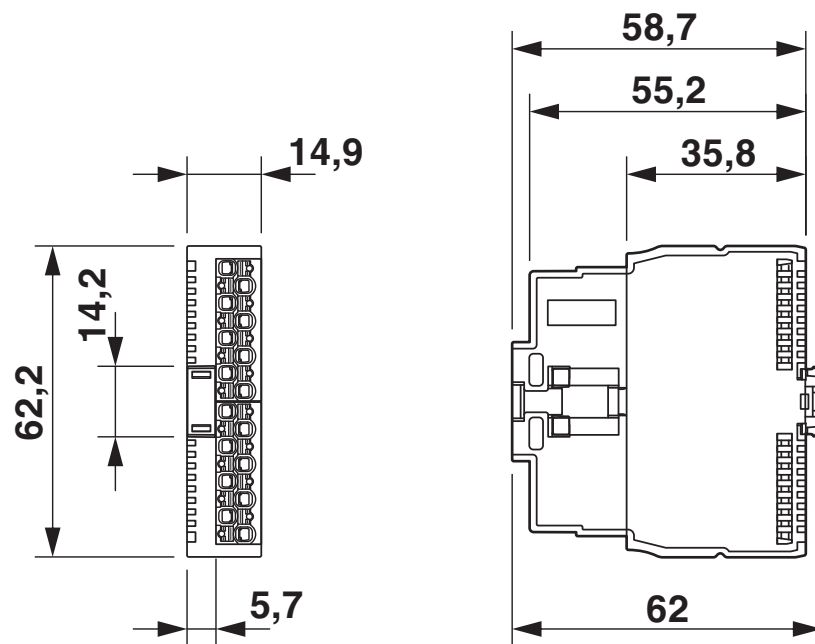
# Special function module - AXL SE INC1 ASYM

1182185

<https://www.phoenixcontact.com/pc/products/1182185>

## Drawings

Dimensional drawing



Dimensions

# Special function module - AXL SE INC1 ASYM



1182185

<https://www.phoenixcontact.com/pc/products/1182185>

## Approvals



**UL Listed**

Approval ID: FILE E 238705

# Special function module - AXL SE INC1 ASYM



1182185

<https://www.phoenixcontact.com/pc/products/1182185>

## Classifications

### ECLASS

ECLASS-9.0	27242604
ECLASS-10.0.1	27242604
ECLASS-11.0	27242604

### ETIM

ETIM 8.0	EC001599
----------	----------

### UNSPSC

UNSPSC 21.0	32151600
-------------	----------



# Special function module - AXL SE INC1 ASYM



1182185

<https://www.phoenixcontact.com/pc/products/1182185>

## Environmental Product Compliance

REACH SVHC	Lead 7439-92-1
China RoHS	Environmentally Friendly Use Period = 50 years
	For information on hazardous substances, refer to the manufacturer's declaration available under "Downloads"

# Special function module - AXL SE INC1 ASYM

1182185

<https://www.phoenixcontact.com/pc/products/1182185>

## Mandatory Accessories

### Module carrier

Module carrier - AXL F BP SE4 - 1088135

<https://www.phoenixcontact.com/pc/products/1088135>

Axioline F, Backplane, 4 slots for Axioline Smart Elements, transmission speed in the local bus: 100 Mbps, degree of protection: IP20



---

### Module carrier

Module carrier - AXL F BP SE6 - 1088136

<https://www.phoenixcontact.com/pc/products/1088136>

Axioline F, Backplane, 6 slots for Axioline Smart Elements, transmission speed in the local bus: 100 Mbps, degree of protection: IP20



---

## Accessories

# Special function module - AXL SE INC1 ASYM

1182185

<https://www.phoenixcontact.com/pc/products/1182185>

## Screwdriver

Screwdriver - SZS 0,4X2,5 VDE - 1205037

<https://www.phoenixcontact.com/pc/products/1205037>



Screwdriver, slot-headed, VDE insulated, size: 0.4 x 2.5 x 80 mm, 2-component grip, with non-slip grip

---

## Crimping pliers

Crimping pliers - CRIMPFOX 6 - 1212034

<https://www.phoenixcontact.com/pc/products/1212034>



Crimping pliers, for ferrules without insulating collar according to DIN 46228 Part 1 and ferrules with insulating collar according to DIN 46228 Part 4, 0.25 mm<sup>2</sup> ... 6.0 mm<sup>2</sup>, lateral entry, trapezoidal crimp

# Special function module - AXL SE INC1 ASYM

1182185

<https://www.phoenixcontact.com/pc/products/1182185>

## Crimping pliers

Crimping pliers - CRIMPFOX DUO 10 - 1031721

<https://www.phoenixcontact.com/pc/products/1031721>



Crimping pliers, type of contact: Insulated and uninsulated ferrules, min. cross section:  $0.14 \text{ mm}^2$ , max. cross section:  $10 \text{ mm}^2$ , for TWIN ferrules up to  $2 \times 4 \text{ mm}^2$ , automatic cross section adjustment, rotating die, lateral and frontal insertion, compression: Trapezoidal crimp, black/green

---

## Crimping pliers

Crimping pliers - CRIMPFOX 10T-F - 1134913

<https://www.phoenixcontact.com/pc/products/1134913>



Crimping pliers, type of contact: Insulated and uninsulated ferrules, standards/specifications: DIN 46228-1, DIN 46228-4, min. cross section:  $0.14 \text{ mm}^2$ , max. cross section:  $10 \text{ mm}^2$ , For TWIN ferrules up to  $2 \times 4 \text{ mm}^2$ , automatic cross section adjustment, frontal insertion, compression: Trapezoidal crimp, black

# Special function module - AXL SE INC1 ASYM

1182185

<https://www.phoenixcontact.com/pc/products/1182185>

## Label

Label - MM-TML (EX4,2)R C1 TR/BK - 0803979

<https://www.phoenixcontact.com/pc/products/0803979>



Label, Roll, transparent, unlabeled, can be labeled with: THERMOFOX, THERMOMARK GO, THERMOMARK GO.K, mounting type: adhesive, for terminal block width: 8000 mm, lettering field size: continuous x 3.2 mm

---

## Marker strip

Marker strip - SK 5,0 WH:REEL - 0805221

<https://www.phoenixcontact.com/pc/products/0805221>



Marker strip, Roll, white, unlabeled, can be labeled with: THERMOMARK ROLL 2.0, THERMOMARK ROLL, THERMOMARK ROLL X1, THERMOMARK ROLLMaster 300/600, THERMOMARK X1.2, mounting type: adhesive, for terminal block width: 5 mm, lettering field size: continuous x 5 mm, Number of individual labels: 90000

# Special function module - AXL SE INC1 ASYM



1182185

<https://www.phoenixcontact.com/pc/products/1182185>

## Marker for terminal blocks

Marker for terminal blocks - UM6M-TM (5X12) - 0830928

<https://www.phoenixcontact.com/pc/products/0830928>

Markers for marking terminal blocks from ABB/Entrelec, 24-section, unmarked, can be marked with THERMOMARK CARD and BLUEMARK, color: white



---

## Marker for terminal blocks from the SNK series from ABB

Marker for terminal blocks from the SNK series from ABB - UCT6M-TM 5 - 0830756

<https://www.phoenixcontact.com/pc/products/0830756>

Marker for terminal blocks from the SNK series from ABB, Sheet, white, unlabeled, can be labeled with: THERMOMARK CARD, THERMOMARK CARD 2.0, THERMOMARK PRIME, BLUEMARK ID, BLUEMARK ID COLOR, TOPMARK LASER, TOPMARK NEO, mounting type: snapped, for terminal block width: 5.2 mm, lettering field size: 4.17 x 11.3 mm



---

Phoenix Contact 2022 © - all rights reserved

<https://www.phoenixcontact.com>

PHOENIX CONTACT GmbH & Co. KG

Flachsmarktstraße 8

D-32825 Blomberg

+49 (0) 5235-3 00

[info@phoenixcontact.com](mailto:info@phoenixcontact.com)