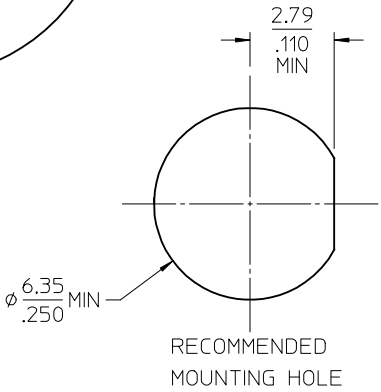
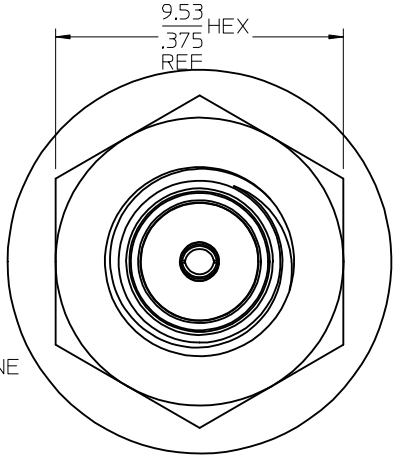
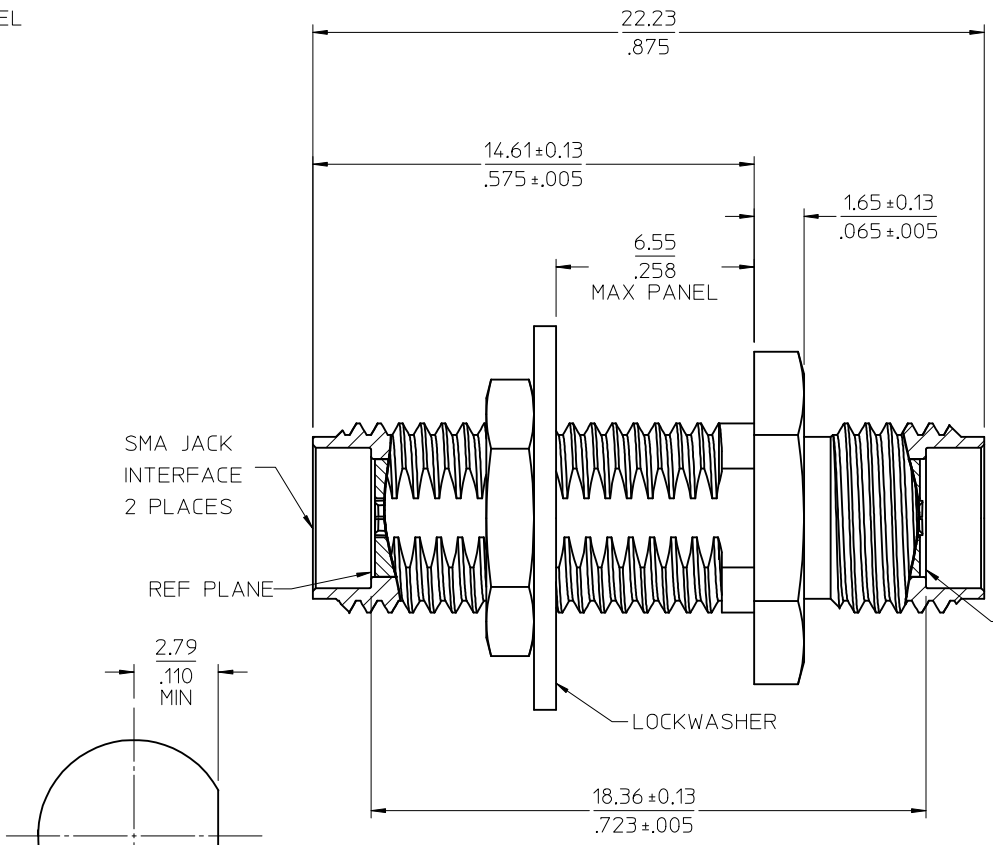
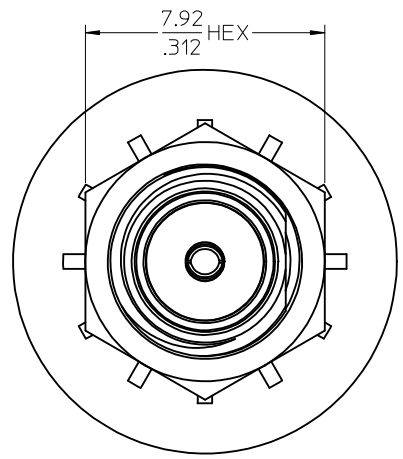
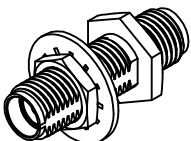


MATERIALS AND FINISHES

BODY, NUT AND WASHER STAINLESS STEEL
PASSIVATED

CENTER CONTACT BERYLLIUM COPPER
PLATED GOLD (50 MICROINCHES MIN)

INSULATOR TEFLON



73251-0361	ONE PIECE 73251-0360 PER BAG
73251-0360	STANDARD PACKAGING
PART NO.	PACKAGING

MIL-STD-348A, FIG. 310.2	INTERFACE
PS-89675-3460	ELECTROMECH PERFORM.
SPECIFICATION	DESCRIPTION

CHG: MAX PANEL WAS .250 ADD PRECISION TO TITLE PS WAS 89675-2810	EC NO: URF2013-0054 DRWN: WIENER 2012/07/26 CHKD: SSS 2012/07/26 APPR: WIENER 2012/07/30
---	---

QUALITY SYMBOLS	GENERAL TOLERANCES (UNLESS SPECIFIED)
▽=0	mm INCH
▽=0	4 PLACES ± --- ± ---
	3 PLACES ± --- ± ---
	2 PLACES ± --- ± ---
	1 PLACE ± --- ± ---
	ANGULAR ± 2 °
	DRAFT WHERE APPLICABLE MUST REMAIN WITHIN DIMENSIONS

DESCRIPTION	THIRD ANGLE PROJECTION
REV	DESCRIPTION
A4	

DRAWN BY	DATE
EDC	1997/12/05
CHECKED BY	DATE
DHG	1998/01/09
APPROVED BY	DATE
GMH	1998/01/09
MATERIAL NO.	DOCUMENT NO.
SEE TABLE	SD-73251-036

TITLE	DESIGN UNITS
PRECISION SMA JACK/JACK BLKHD, MT ADAPTER EWR-2595, SMA-AD/JJ/BK	METRIC
MOLEX INCORPORATED	
SHEET NO.	1 OF 1
THIS DRAWING CONTAINS INFORMATION THAT IS PROPRIETARY TO MOLEX INCORPORATED AND SHOULD NOT BE USED WITHOUT WRITTEN PERMISSION	