

**BASE**

Glass-fibre reinforced polyamide based (PA) technopolymer, black colour, matte finish.

**ARTICULATED STEM**

Threaded AISI 304 stainless steel with regulation hexagon.

**STANDARD EXECUTIONS**

- **LV.A-SST**: without no-slip disk.
- **LV.A-AS-SST**: with NBR rubber no-slip disk, hardness 70 Shore A, supplied assembled to the base.

**FEATURES**

The special knurling under the lower lip of the base provides excellent stability and grip when using the levelling element without no-slip disk even on surfaces that are not perfectly flat. The particular assembling system of the no-slip disk to the base assures a perfect anchoring, preventing separation even in case of impact during transport or of adhesion (sticking) to the floor (see No-slip disks on page 1137).

**ORDER INFORMATION**

The levelling elements are supplied unassembled to make carriage and storage easier. The components (base and stem) are supplied in separate packing: less volume taken and better protection from scratches and dirt.

To order bases and stems separately, see:

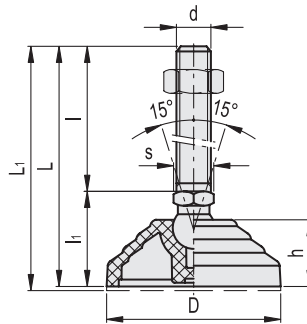
- table of possible combinations Bases/Stems (see page 1144)
- the codes of the Bases (see page 1139)
- the codes of the Stems (see page 1142).

**ACCESSORIES ON REQUEST**

AISI 304 stainless steel nut (see Nuts NT. on page 1137).



ELESA Original design



**LV.A-SST**

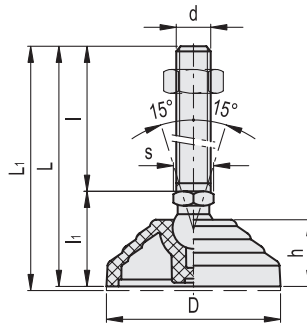
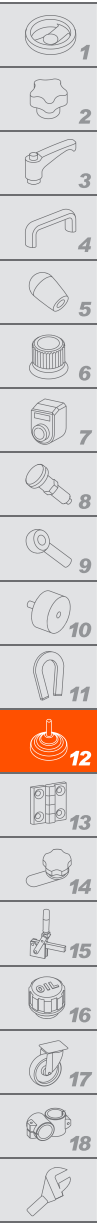
**LV.A-AS-SST**

Code	Description	Code	Description	D	d	L	Li#	l	li	h	s	Articulation °	Max. limit stati load* [N]	⚖️	⚖️ #
323121	LV.A-60-14-SST-M8x43	327121	LV.A-60-14-AS-SST-M8x43	60	M8	76	79	43	33	24	14	14	14000	63	82
323125	LV.A-60-14-SST-M8x68	327125	LV.A-60-14-AS-SST-M8x68	60	M8	101	104	68	33	24	14	14	14000	75	94
323221	LV.A-60-14-SST-M10x43	327221	LV.A-60-14-AS-SST-M10x43	60	M10	76	79	43	33	24	14	14	14000	72	91
323225	LV.A-60-14-SST-M10x68	327225	LV.A-60-14-AS-SST-M10x68	60	M10	101	104	68	33	24	14	14	14000	85	104
323231	LV.A-60-14-SST-M10x98	327231	LV.A-60-14-AS-SST-M10x98	60	M10	131	134	98	33	24	14	14	14000	99	118
323321	LV.A-60-14-SST-M12x43	327321	LV.A-60-14-AS-SST-M12x43	60	M12	76	79	43	33	24	14	14	14000	82	101
323325	LV.A-60-14-SST-M12x68	327325	LV.A-60-14-AS-SST-M12x68	60	M12	101	104	68	33	24	14	14	14000	100	119
323331	LV.A-60-14-SST-M12x98	327331	LV.A-60-14-AS-SST-M12x98	60	M12	131	134	98	33	24	14	14	14000	122	141
323421	LV.A-60-14-SST-M14X68	327421	LV.A-60-14-AS-SST-M14X68	60	M14	101	104	68	33	24	14	14	14000	123	142
323431	LV.A-60-14-SST-M14X98	327431	LV.A-60-14-AS-SST-M14X98	60	M14	131	134	98	33	24	14	14	14000	144	163
323441	LV.A-60-14-SST-M14X148	327441	LV.A-60-14-AS-SST-M14X148	60	M14	181	184	148	33	24	14	14	14000	227	246
323521	LV.A-60-14-SST-M16x68	327521	LV.A-60-14-AS-SST-M16x68	60	M16	101	104	68	33	24	16	14	14000	145	164
323525	LV.A-60-14-SST-M16x108	327525	LV.A-60-14-AS-SST-M16x108	60	M16	141	144	108	33	24	16	14	14000	199	218
323541	LV.A-60-14-SST-M16x148	327541	LV.A-60-14-AS-SST-M16x148	60	M16	181	184	148	33	24	16	14	14000	252	271
323561	LV.A-60-14-SST-M16x168	327561	LV.A-60-14-AS-SST-M16x168	60	M16	201	204	168	33	24	16	14	14000	279	298

\* The max static load is the value above which the load applied to the element may cause some plastic material breakage, in particular conditions of use. Obviously, a factor that takes into consideration the importance and the safety level of the specific application must be applied to this value.

# Data with no-slip disk mounted.





LV.A-SST

LV.A-AS-SST

Code	Description	Code	Description	D	d	L	L#	l	l1	h	s	Articulation θ	Max. limit stati load* [N]	⚖️	⚖️#
323621	LV.A-60-24-SST-M16x58	327621	LV.A-60-24-AS-SST-M16x58	60	M16	101	104	58	43	24	24	24	18000	208	227
323625	LV.A-60-24-SST-M16x98	327625	LV.A-60-24-AS-SST-M16x98	60	M16	141	144	98	43	24	24	24	18000	260	279
323641	LV.A-60-24-SST-M16x138	327641	LV.A-60-24-AS-SST-M16x138	60	M16	181	184	138	43	24	24	24	18000	311	330
323661	LV.A-60-24-SST-M16x158	327661	LV.A-60-24-AS-SST-M16x158	60	M16	201	204	158	43	24	24	24	18000	339	358
323725	LV.A-60-24-SST-M20x98	327725	LV.A-60-24-AS-SST-M20x98	60	M20	141	144	98	43	24	24	24	18000	332	351
323741	LV.A-60-24-SST-M20x138	327741	LV.A-60-24-AS-SST-M20x138	60	M20	181	184	138	43	24	24	24	18000	412	431
323761	LV.A-60-24-SST-M20x158	327761	LV.A-60-24-AS-SST-M20x158	60	M20	201	204	158	43	24	24	24	18000	452	471
323781	LV.A-60-24-SST-M20x198	327781	LV.A-60-24-AS-SST-M20x198	60	M20	241	244	198	43	24	24	24	18000	537	556
323825	LV.A-60-24-SST-M24x98	327825	LV.A-60-24-AS-SST-M24x98	60	M24	141	144	98	43	24	24	24	18000	432	451
323861	LV.A-60-24-SST-M24x158	327861	LV.A-60-24-AS-SST-M24x158	60	M24	201	204	158	43	24	24	24	18000	607	626
323881	LV.A-60-24-SST-M24x198	327881	LV.A-60-24-AS-SST-M24x198	60	M24	241	244	198	43	24	24	24	18000	728	747
324005	LV.A-70-14-SST-M8x43	328005	LV.A-70-14-AS-SST-M8x43	70	M8	71	74	43	28	19	14	14	14000	61	81
324011	LV.A-70-14-SST-M8x68	328011	LV.A-70-14-AS-SST-M8x68	70	M8	96	99	68	28	19	14	14	14000	73	93
324021	LV.A-70-14-SST-M10x43	328021	LV.A-70-14-AS-SST-M10x43	70	M10	71	74	43	28	19	14	14	14000	70	90
324025	LV.A-70-14-SST-M10x68	328025	LV.A-70-14-AS-SST-M10x68	70	M10	96	99	68	28	19	14	14	14000	84	103
324031	LV.A-70-14-SST-M10x98	328031	LV.A-70-14-AS-SST-M10x98	70	M10	126	129	98	28	19	14	14	14000	97	117
324061	LV.A-70-14-SST-M12x43	328061	LV.A-70-14-AS-SST-M12x43	70	M12	71	74	43	28	19	14	14	14000	80	100
324065	LV.A-70-14-SST-M12x68	328065	LV.A-70-14-AS-SST-M12x68	70	M12	96	99	68	28	19	14	14	14000	98	118
324071	LV.A-70-14-SST-M12x98	328071	LV.A-70-14-AS-SST-M12x98	70	M12	126	129	98	28	19	14	14	14000	120	140
324075	LV.A-70-14-SST-M14x68	328075	LV.A-70-14-AS-SST-M14x68	70	M14	96	99	68	28	19	14	14	14000	121	141
324081	LV.A-70-14-SST-M14x98	328081	LV.A-70-14-AS-SST-M14x98	70	M14	126	129	98	28	19	14	14	14000	142	162
324085	LV.A-70-14-SST-M14X148	328085	LV.A-70-14-AS-SST-M14X148	70	M14	176	179	148	28	19	14	14	14000	225	245
324101	LV.A-70-14-SST-M16x68	328101	LV.A-70-14-AS-SST-M16x68	70	M16	96	99	68	28	19	16	14	14000	143	163
324105	LV.A-70-14-SST-M16x108	328105	LV.A-70-14-AS-SST-M16x108	70	M16	136	139	108	28	19	16	14	14000	197	217
324111	LV.A-70-14-SST-M16x148	328111	LV.A-70-14-AS-SST-M16x148	70	M16	176	179	148	28	19	16	14	14000	250	270
324115	LV.A-70-14-SST-M16x168	328115	LV.A-70-14-AS-SST-M16x168	70	M16	196	199	168	28	19	16	14	14000	277	297
324121	LV.A-80-14-SST-M8x43	328121	LV.A-80-14-AS-SST-M8x43	80	M8	76	79	43	33	24	14	14	16000	84	110
324125	LV.A-80-14-SST-M8x68	328125	LV.A-80-14-AS-SST-M8x68	80	M8	101	104	68	33	24	14	14	16000	96	122
324221	LV.A-80-14-SST-M10x43	328221	LV.A-80-14-AS-SST-M10x43	80	M10	76	79	43	33	24	14	14	16000	93	119
324225	LV.A-80-14-SST-M10x68	328225	LV.A-80-14-AS-SST-M10x68	80	M10	101	104	68	33	24	14	14	16000	106	132
324231	LV.A-80-14-SST-M10x98	328231	LV.A-80-14-AS-SST-M10x98	80	M10	131	134	98	33	24	14	14	16000	120	146
324321	LV.A-80-14-SST-M12x43	328321	LV.A-80-14-AS-SST-M12x43	80	M12	76	79	43	33	24	14	14	16000	103	129
324325	LV.A-80-14-SST-M12x68	328325	LV.A-80-14-AS-SST-M12x68	80	M12	101	104	68	33	24	14	14	16000	121	147
324331	LV.A-80-14-SST-M12x98	328331	LV.A-80-14-AS-SST-M12x98	80	M12	131	134	98	33	24	14	14	16000	143	169
324421	LV.A-80-14-SST-M14X68	328421	LV.A-80-14-AS-SST-M14X68	80	M14	101	104	68	33	24	14	14	16000	144	170
324431	LV.A-80-14-SST-M14X98	328431	LV.A-80-14-AS-SST-M14X98	80	M14	131	134	98	33	24	14	14	16000	165	191
324441	LV.A-80-14-SST-M14X148	328441	LV.A-80-14-AS-SST-M14X148	80	M14	181	184	148	33	24	14	14	16000	248	274
324521	LV.A-80-14-SST-M16x68	328521	LV.A-80-14-AS-SST-M16x68	80	M16	101	104	68	33	24	16	14	16000	166	192
324525	LV.A-80-14-SST-M16x108	328525	LV.A-80-14-AS-SST-M16x108	80	M16	141	144	108	33	24	16	14	16000	220	246
324541	LV.A-80-14-SST-M16x148	328541	LV.A-80-14-AS-SST-M16x148	80	M16	181	184	148	33	24	16	14	16000	273	299
324561	LV.A-80-14-SST-M16x168	328561	LV.A-80-14-AS-SST-M16x168	80	M16	201	204	168	33	24	16	14	16000	300	326

\* The max static load is the value above which the load applied to the element may cause some plastic material breakage, in particular conditions of use. Obviously, a factor that takes into consideration the importance and the safety level of the specific application must be applied to this value.

# Data with no-slip disk mounted.

LV.A-SST

LV.A-AS-SST



Code	Description	Code	Description	D	d	L	Lt#	l	lt	h	s	Articulation Ø	Max. limit stati load* [N]	⚖️	⚖️#
324621	LV.A-80-24-SST-M16x58	328621	LV.A-80-24-AS-SST-M16x58	80	M16	101	104	58	43	24	24	24	18000	228	254
324625	LV.A-80-24-SST-M16x98	328625	LV.A-80-24-AS-SST-M16x98	80	M16	141	144	98	43	24	24	24	18000	280	306
324641	LV.A-80-24-SST-M16x138	328641	LV.A-80-24-AS-SST-M16x138	80	M16	181	184	138	43	24	24	24	18000	331	357
324661	LV.A-80-24-SST-M16x158	328661	LV.A-80-24-AS-SST-M16x158	80	M16	201	204	158	43	24	24	24	18000	359	385
324725	LV.A-80-24-SST-M20x98	328725	LV.A-80-24-AS-SST-M20x98	80	M20	141	144	98	43	24	24	24	18000	352	378
324741	LV.A-80-24-SST-M20x138	328741	LV.A-80-24-AS-SST-M20x138	80	M20	181	184	138	43	24	24	24	18000	432	458
324761	LV.A-80-24-SST-M20x158	328761	LV.A-80-24-AS-SST-M20x158	80	M20	201	204	158	43	24	24	24	18000	472	498
324781	LV.A-80-24-SST-M20x198	328781	LV.A-80-24-AS-SST-M20x198	80	M20	241	244	198	43	24	24	24	18000	577	583
324825	LV.A-80-24-SST-M24x98	328825	LV.A-80-24-AS-SST-M24x98	80	M24	141	144	98	43	24	24	24	18000	452	478
324861	LV.A-80-24-SST-M24x158	328861	LV.A-80-24-AS-SST-M24x158	80	M24	201	204	158	43	24	24	24	18000	627	653
324881	LV.A-80-24-SST-M24x198	328881	LV.A-80-24-AS-SST-M24x198	80	M24	241	244	198	43	24	24	24	18000	748	774
325451	LV.A-100-14-SST-M8x43	329451	LV.A-100-14-AS-SST-M8x43	100	M8	76	79	43	33	24	14	14	18000	91	146
325453	LV.A-100-14-SST-M8x68	329453	LV.A-100-14-AS-SST-M8x68	100	M8	101	104	68	33	24	14	14	18000	103	158
325461	LV.A-100-14-SST-M10x43	329461	LV.A-100-14-AS-SST-M10x43	100	M10	76	79	43	33	24	14	14	18000	100	155
325463	LV.A-100-14-SST-M10x68	329463	LV.A-100-14-AS-SST-M10x68	100	M10	101	104	68	33	24	14	14	18000	112	167
325465	LV.A-100-14-SST-M10x98	329465	LV.A-100-14-AS-SST-M10x98	100	M10	131	134	98	33	24	14	14	18000	126	181
325471	LV.A-100-14-SST-M12x43	329471	LV.A-100-14-AS-SST-M12x43	100	M12	76	79	43	33	24	14	14	18000	110	165
325473	LV.A-100-14-SST-M12x68	329473	LV.A-100-14-AS-SST-M12x68	100	M12	101	104	68	33	24	14	14	18000	127	182
325475	LV.A-100-14-SST-M12x98	329475	LV.A-100-14-AS-SST-M12x98	100	M12	131	134	98	33	24	14	14	18000	148	203
325477	LV.A-100-14-SST-M14x68	329477	LV.A-100-14-AS-SST-M14x68	100	M14	101	104	68	33	24	14	14	18000	149	204
325479	LV.A-100-14-SST-M14x98	329479	LV.A-100-14-AS-SST-M14x98	100	M14	131	134	98	33	24	14	14	18000	170	225
325480	LV.A-100-14-SST-M14x148	329480	LV.A-100-14-AS-SST-M14x148	100	M14	181	184	148	33	24	14	14	18000	253	308
325481	LV.A-100-14-SST-M16x68	329481	LV.A-100-14-AS-SST-M16x68	100	M16	101	104	68	33	24	16	14	18000	171	226
325483	LV.A-100-14-SST-M16x108	329483	LV.A-100-14-AS-SST-M16x108	100	M16	141	144	108	33	24	16	14	18000	223	278
325485	LV.A-100-14-SST-M16x148	329485	LV.A-100-14-AS-SST-M16x148	100	M16	181	184	148	33	24	16	14	18000	275	330
325487	LV.A-100-14-SST-M16x168	329487	LV.A-100-14-AS-SST-M16x168	100	M16	201	204	168	33	24	16	14	18000	301	356
325521	LV.A-100-24-SST-M16x58	329521	LV.A-100-24-AS-SST-M16x58	100	M16	101	104	58	43	24	24	24	25000	254	308
325525	LV.A-100-24-SST-M16x98	329525	LV.A-100-24-AS-SST-M16x98	100	M16	141	144	98	43	24	24	24	25000	357	411
325541	LV.A-100-24-SST-M16x138	329541	LV.A-100-24-AS-SST-M16x138	100	M16	181	184	138	43	24	24	24	25000	357	411
325561	LV.A-100-24-SST-M16x158	329561	LV.A-100-24-AS-SST-M16x158	100	M16	201	204	158	43	24	24	24	25000	385	439
325625	LV.A-100-24-SST-M20x98	329625	LV.A-100-24-AS-SST-M20x98	100	M20	141	144	98	43	24	24	24	25000	378	432
325641	LV.A-100-24-SST-M20x138	329641	LV.A-100-24-AS-SST-M20x138	100	M20	181	184	138	43	24	24	24	25000	458	512
325661	LV.A-100-24-SST-M20x158	329661	LV.A-100-24-AS-SST-M20x158	100	M20	201	204	158	43	24	24	24	25000	498	552
325681	LV.A-100-24-SST-M20x198	329681	LV.A-100-24-AS-SST-M20x198	100	M20	241	244	198	43	24	24	24	25000	583	637
325725	LV.A-100-24-SST-M24x98	329725	LV.A-100-24-AS-SST-M24x98	100	M24	141	144	98	43	24	24	24	25000	478	532
325761	LV.A-100-24-SST-M24x158	329761	LV.A-100-24-AS-SST-M24x158	100	M24	201	204	158	43	24	24	24	25000	653	707
325781	LV.A-100-24-SST-M24x198	329781	LV.A-100-24-AS-SST-M24x198	100	M24	241	244	198	43	24	24	24	25000	774	828
326521	LV.A-125-24-SST-M16x58	330221	LV.A-125-24-AS-SST-M16x58	125	M16	125	128	58	67	46	24	24	28000	389	515
326525	LV.A-125-24-SST-M16x98	330225	LV.A-125-24-AS-SST-M16x98	125	M16	165	168	98	67	46	24	24	28000	441	567
326541	LV.A-125-24-SST-M16x138	330241	LV.A-125-24-AS-SST-M16x138	125	M16	205	208	138	67	46	24	24	28000	492	618
326561	LV.A-125-24-SST-M16x158	330261	LV.A-125-24-AS-SST-M16x158	125	M16	225	228	158	67	46	24	24	28000	520	646
326625	LV.A-125-24-SST-M20x98	330325	LV.A-125-24-AS-SST-M20x98	125	M20	165	168	98	67	46	24	24	28000	513	639
326641	LV.A-125-24-SST-M20x138	330341	LV.A-125-24-AS-SST-M20x138	125	M20	205	208	138	67	46	24	24	28000	633	759
326661	LV.A-125-24-SST-M20x158	330361	LV.A-125-24-AS-SST-M20x158	125	M20	225	228	158	67	46	24	24	28000	633	759
326681	LV.A-125-24-SST-M20x198	330381	LV.A-125-24-AS-SST-M20x198	125	M20	265	268	198	67	46	24	24	28000	718	844
326725	LV.A-125-24-SST-M24x98	330425	LV.A-125-24-AS-SST-M24x98	125	M24	165	168	98	67	46	24	24	28000	613	739
326761	LV.A-125-24-SST-M24x158	330461	LV.A-125-24-AS-SST-M24x158	125	M24	225	228	158	67	46	24	24	28000	788	914
326781	LV.A-125-24-SST-M24x198	330481	LV.A-125-24-AS-SST-M24x198	125	M24	265	268	198	67	46	24	24	28000	909	1035

\* The max static load is the value above which the load applied to the element may cause some plastic material breakage, in particular conditions of use. Obviously, a factor that takes into consideration the importance and the safety level of the specific application must be applied to this value.

# Data with no-slip disk mounted.



Levelling elements and supports