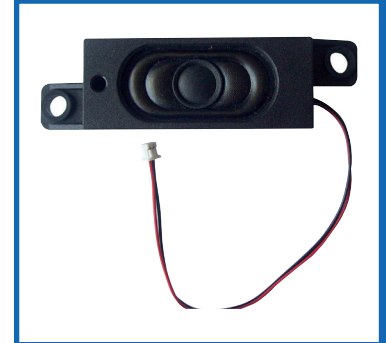


Miniature Rectangular Loudspeaker with Mounting Lugs



DESCRIPTION

A miniature loudspeaker with mounting lugs and flying leads.

DISTINCTIVE FEATURES

- Easy to mount & fix
- Mounting lugs hole $\varnothing 5.8\text{mm}$
- Pre-moulded case with wires attached
- Flying lead length 180mm

APPLICATIONS

Suitable for electronics projects where small size is required such as portable audio devices, computers, electronic musical instruments, handheld devices.

Max.
3W

8 Ω

98dB



ELECTRICAL SPECIFICATION

Rated Impedance	8Ω
Rated Power	2W
Maximum Power	3W



GENERAL SPECIFICATION

Resonant Frequency	700Hz
Sound Pressure Level @ 1W 0.1m	98dB
Frequency Range	f 0 to 20kHz
Total Harmonic Distortion @ 2kHz 1W	10% max.
Flux Density	0.6T



MATERIALS

Frame	Black ABS
Magnet	NdFeB
Yoke & plate	SPCC
Cone & damper	Cloth
Dust cap & terminal	Paper
Front & back cover	Black ABC



ENVIRONMENTAL/OPERATING SPECIFICATION

Operating Temperature	-20°C to +60°C
Storage Temperature	-20°C to +60°C
Weight	28g



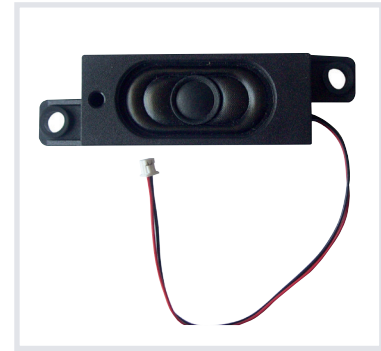
TERMINALS

Connector	Molex 51021-0200 type
Flying Lead	180mm

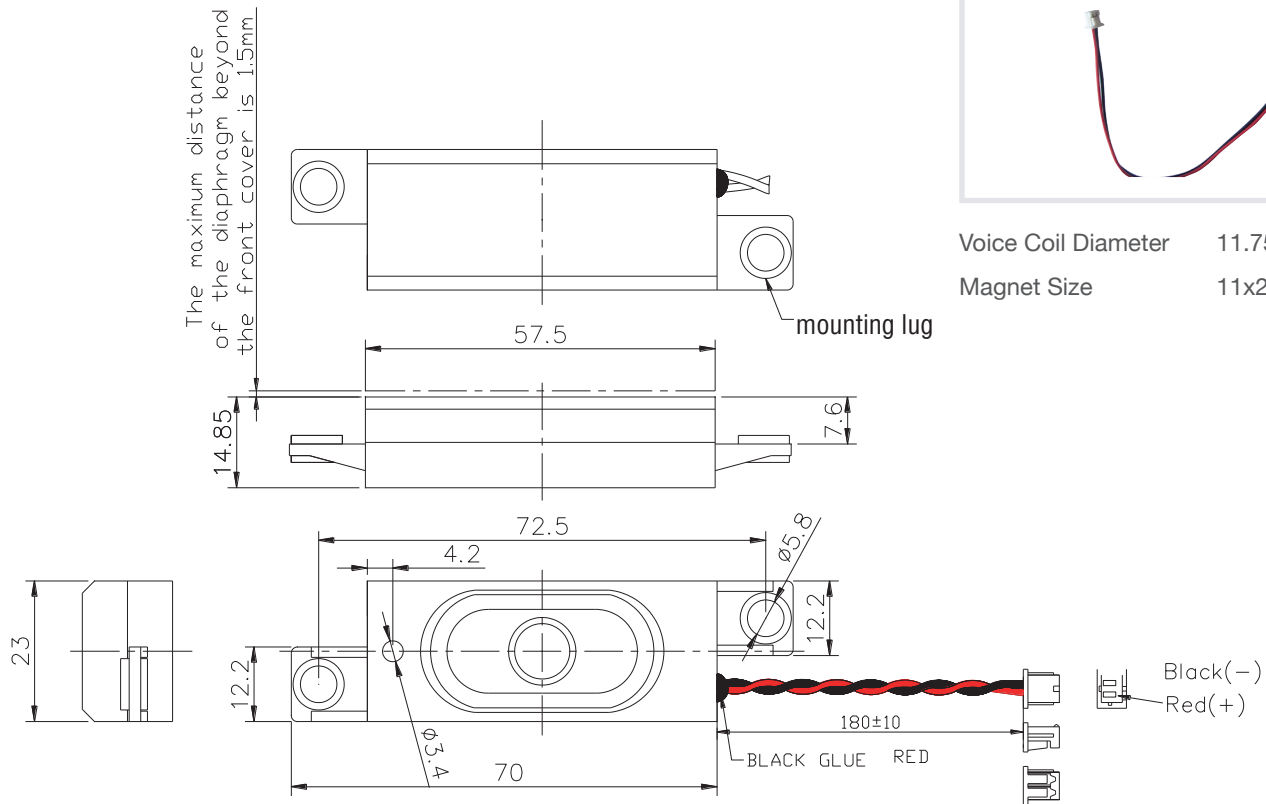


DIMENSIONS/DRAWINGS

Dimensions	mm
Tolerance	±0.5mm



Voice Coil Diameter 11.75mm
Magnet Size 11x2mm



WIRE : UL1571 , AWG28# .

CONNECTOR : MOLEX 51021-0200 Equivalent .



PART NUMBER TABLE

Part number	EAN	UNSPSC	Country of origin
35-0209	5053556001217	52161512	China

R-TECH

Tried & trusted technology

Important Notice: This data sheet and its contents (the "Information") belong to Rapid Electronics Limited or are licensed to it. No licence is granted for the use of it other than for information purposes in connection with the products to which it relates. No licence of any intellectual property rights is granted. The Information is subject to change without notice and replaces all data sheets previously supplied. The Information supplied is believed to be accurate but Rapid Electronics Limited assumes no responsibility for its accuracy or completeness, any error in or omission from it or for any use made of it. Users of this data sheet should check for themselves the Information and the suitability of the products for their purpose and not make any assumptions based on information included or omitted. Liability for loss or damage resulting from any reliance on the Information or use of it (including liability resulting from negligence or where Rapid Electronics Limited were aware of the possibility of such loss or damage arising) is excluded. This will not operate to limit or restrict Rapid Electronics Limited's liability for death or personal injury resulting from its negligence.