

M23 FEMALE, 90° 19 POLE

PUR 8x0,34+3X0.75 GRAY, drag ch 10m

M23

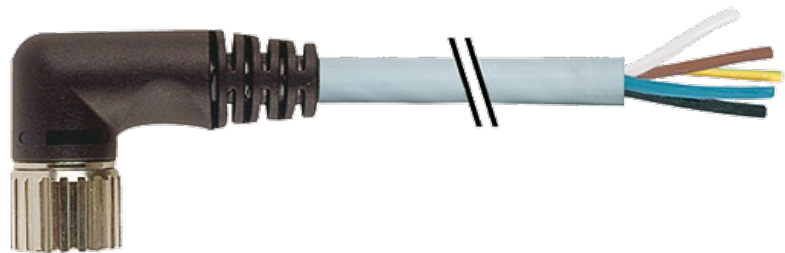
Female 90°

19-pole

11-pole used

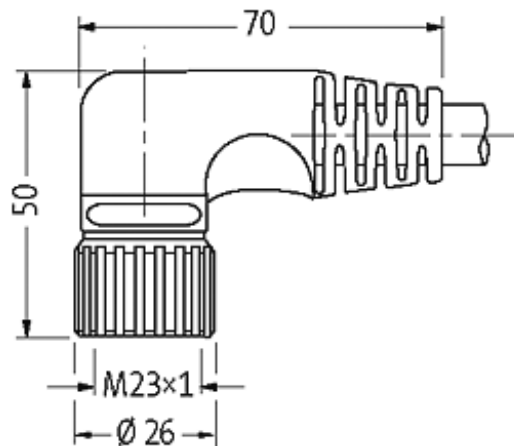
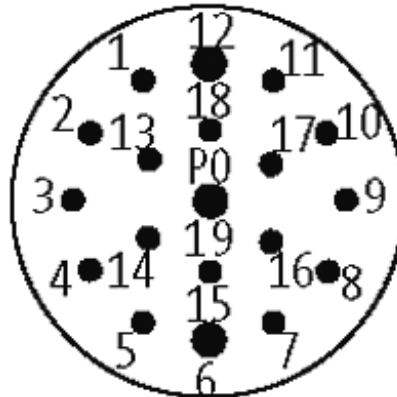
for 4-way distribution boxes, 5-pole

Further cable lengths on request. Plastic housings with good resistance against chemicals and oils. The resistance to aggressive media should be individually tested for your application. Further details on request.

[Link to Product](#)**Illustration**

| | |
|----|----------------------------------|
| 15 | white |
| 7 | gray/pink |
| 5 | green |
| 4 | red/blue |
| | yellow |
| 16 | white/green |
| 8 | gray |
| 3 | brown/green |
| 14 | brown 1.0 mm ² |
| 19 | blue 1.0 mm ² |
| 6 | green/yellow 1.0 mm ² |
| 12 | |

Female



Product may differ from Image

Cables

| | |
|-----------------------------|---------------------------------|
| Cable number | 363 |
| No./diameter of wires | 8×0.34 + 3×0.75 mm ² |
| C-track properties | 2 Mio. |
| Jacket Color | gray |
| Shore hardness outer jacket | 85 ± 5A |
| Material (jacket) | PUR/PVC |
| Outer diameter | approx. 9.1 mm |
| Bend radius (fixed) | 10 × outer Ø |
| Bend radius (moving) | 12 × outer Ø |
| Temperature range (fixed) | -30...+80 °C |
| Temperature range (mobile) | -5...+70 °C |

General data

| | |
|-------------------|--|
| Temperature range | -25...+85 °C, depending on cable quality |
|-------------------|--|

Commercial data

| | |
|-----------------------|----------|
| country of origin | DE |
| customs tariff number | 85444290 |

minimum order quantity

1