

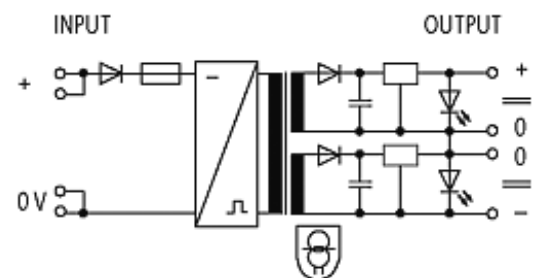
MDD DC/DC-CONVERTOR SWITCH MODE

IN: 24VDC OUT: 2x10V/0,25ADC

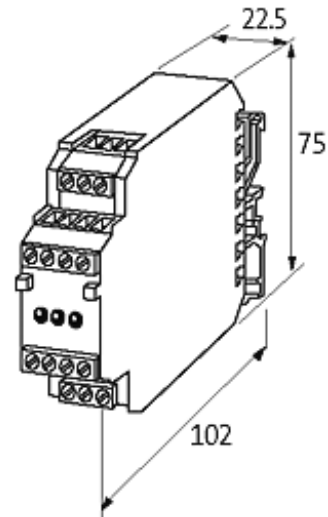
INPUT: 24 V DC

OUTPUT: ± 10 V DC

Output rating: 5 W

Current: 2 \times 0.25 A[Link to Product](#)**Illustration**

stay connected



Product may differ from Image

Input

Input voltage	24 V DC
Input current	0.85 A
Input fuse (internal)	1.5 A (T)

General data

Standards	(EN 61204-3)
Test isolation voltage	4 kV (input/output)
Mounting method	DIN-rail mountable TH35 or G32 (EN 60715)
Temperature range	0...+50 °C, no condensation

Output

Output current	max. 2 × 250 mA
Ripple	max. 0.2 %rms
Output fuse	short-circuit and overload protected, restart after overload by removing power supply
Output voltage	±10 V DC (SELV), ±5 %

Commercial data

country of origin	CZ
customs tariff number	85043121
minimum order quantity	1