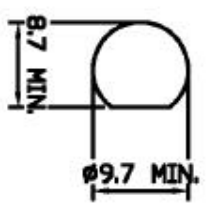
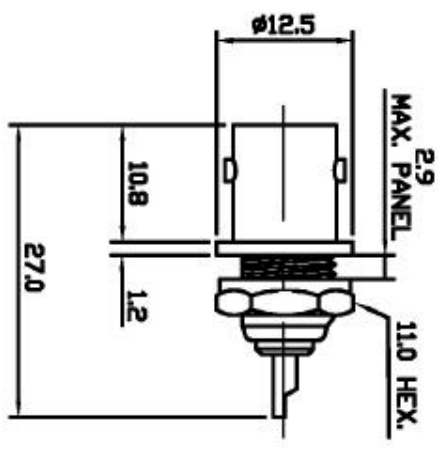


LOC	DIST	REV	DESCRIPTION	DATE	OWN	APP'D
E	B	P	LTR			
		B	EB00 - 0304 - 01	25-9-01	RG	FWK



MOUNTING HOLE

▲ SUPPLIED SEMI-ASSEMBLED (PACK CONTAINS LOOSE PIECES)
 VIEW SHOWS ASSEMBLED CONNECTOR.

ALL DIMENSIONS ARE NOMINAL. FOR REFERENCE ONLY.

DIE SET PART NUMBER	N/A
HANDTOOL PART NUMBER	N/A
FOR USE ON CABLES	N/A
CONNECTOR PLATING DETAIL	SILVER
CONTACT PLATING DETAIL	SILVER
DIELECTRIC MATERIAL	PTFE
GASKET MATERIAL	N/A

THIS DRAWING IS A CONTROLLED DOCUMENT.	
DIMENSIONS: MM	TOLERANCES UNLESS OTHERWISE SPECIFIED:
0 PIG	±
1 PIG	±
2 PIG	±
3 PIG	±
4 PIG	±
FINISH	±
MATERIAL	-

DMN	07-SEP-00	R.SMITH	07-SEP-00	07-SEP-00	07-SEP-00	07-SEP-00	07-SEP-00
CHK	07-SEP-00	R.GOODALL	07-SEP-00	07-SEP-00	07-SEP-00	07-SEP-00	07-SEP-00
APP'D		R.GOODALL					
PRODUCT SPEC	108-3435	APPLICATION SPEC					
WEIGHT	-	CUSTOMER DRAWING					
SIZE	A3	QAE CODE	00779	DRAWING NO	1337451	SCALE	NTS
DESCRIPTION	SINGLE ITEM		PART NUMBER		1-1337451-0		
DESCRIPTION	BNC BULKHEAD SOCKET 50 Ohm		PART NUMBER		1-1337451-0		
DESCRIPTION	LESS SOLDER TAG		PART NUMBER		1-1337451-0		
NAME	Tyco Electronics Corporation		Stamerra, Middlesex, HA7 4RS				
RESTRICTED TO							