

# THM LOW PROFILE LITHIUM & ALKALINE CELL HOLDERS

"1/3N" • "AAA" • "1/2AA" • "CR2" • "AA" • "2/3A"

## FEATURES

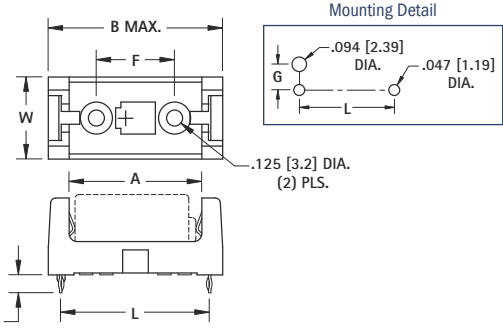
- Snap-In PC contact holds firmly in position for wave soldering
- Tin Nickel Plated contacts for excellent solderability and durability
- Polarity clearly marked for orientation
- Snap-on retainer cover (optional) retains battery securely to withstand shock and vibration. Helps protect against shorting. Tamper-proof.

## APPLICATIONS

- Computer memory, power backup systems.
- Telecommunications
- Residential, industrial and commercial security systems
- PLC and industrial controls



### THM LOW PROFILE

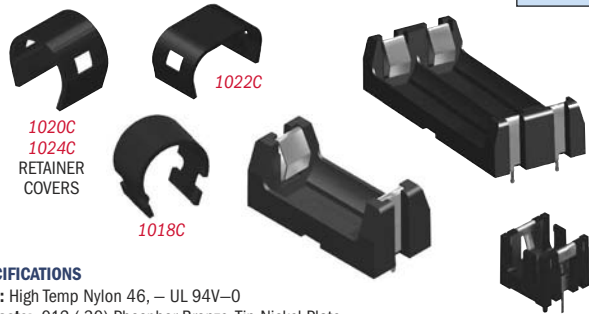


## SPECIFICATIONS

**Base/Retainer Cover:** PBT, UL 94V-0  
**Contacts:** .012 (.30) Stainless Steel, Tin-Nickel Plate  
**Operating Temp Range:** -60°F to +290°F (-50°C to +145°C)

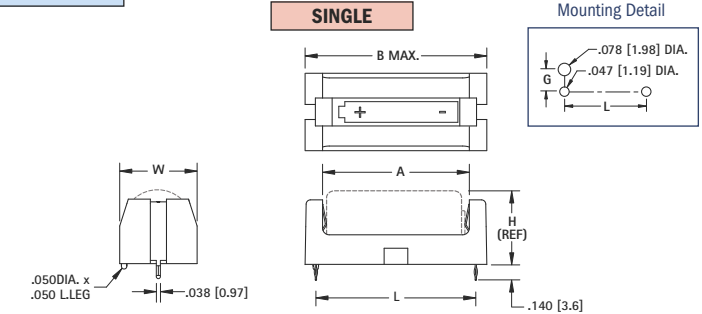
HOLDER	COVER									CELL SIZE	BATTERY CROSS REFERENCE
CAT. NO.	CAT. NO.	L	W	H (Ref. Dim)	A	B (MAX)	F	G			
108	108C	1.160 (29.5)	.640 (16.3)	.633 (16.1)	1.030 (26.2)	1.360 (34.5)	.610 (15.5)	.279 (7.1)	"1/2 AA" "CR2"	Energizer 544, CR2, Duracell PX28L, CR2, Kodak K28A & KS28, CR2, Panasonic CR14250, CR2, Saft LCP3, Maxell 4LR44, CR2, Sanyo CR14250SE, CR2	
1028	1024C 1028C	2.160 (54.9)	.640 (16.3)	.633 (16.1)	2.040 (51.8)	2.360 (59.9)	1.610 (40.9)	.279 (7.1)	"AA"	Energizer, Duracell, Panasonic, Sanyo, Varta, Rayovac, Tadiran	
1029	1029C 1029LC	1.500 (38.1)	.720 (18.3)	.712 (18.1)	1.375 (34.9)	1.700 (43.2)	.950 (24.1)	.320 (8.1)	"2/3 A"	Duracell DL2/3A, Kodak K123L, Panasonic CR123A, Saft 450SC & VR0450, Sanyo CR17335SE	

### THM ULTRA LOW PROFILE



## SPECIFICATIONS

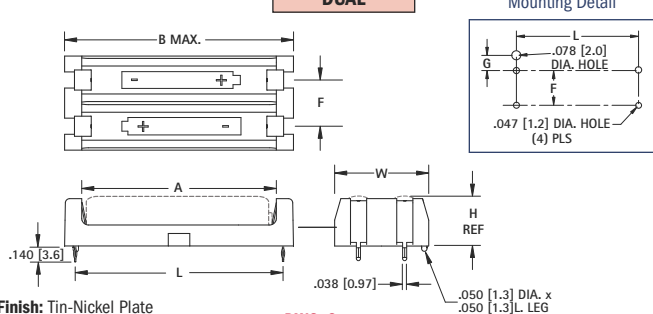
**Base:** High Temp Nylon 46, - UL 94V-0  
**Contacts:** .012 (.30) Phosphor Bronze, Tin-Nickel Plate  
**Operating Temp Range:** -60°F to +290°F (-50°C to +145°C)



DWG. 1

Finish: Tin-Nickel Plate

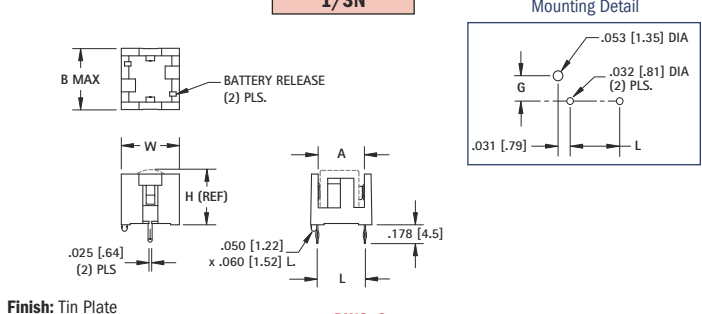
### DUAL



DWG. 2

Finish: Tin-Nickel Plate

### "1/3N"



DWG. 3

Finish: Tin Plate

HOLDER	COVER	DWG NO.	L	W	H (Ref. Dim)	A	B (MAX)	F	G	CELL SIZE	BATTERY CROSS REFERENCE
1015	1024C	1	2.145 (54.5)	.612 (15.5)	.603 (15.3)	2.040 (51.8)	2.359 (59.9)	-	.265 (6.7)	"AA"	Energizer, Duracell, Panasonic, Sanyo, Varta, Rayovac, Tadiran
1013	1012C	2	2.145 (54.5)	1.180 (30.0)	.603 (15.3)	2.040 (51.8)	2.359 (59.9)	.568 (14.4)	.265 (6.7)	"AA"	Energizer, Duracell, Panasonic, Sanyo, Varta, Rayovac, Tadiran
1021	1020C	1	1.933 (49.1)	.500 (12.7)	.445 (11.3)	1.810 (46.0)	2.140 (54.4)	-	.209 (5.3)	"AAA"	Energizer, Duracell, Panasonic, Sanyo, Varta, Rayovac, Tadiran
1023	1022C	2	1.933 (49.1)	.875 (22.2)	.445 (11.3)	1.810 (46.0)	2.140 (54.4)	.430 (10.9)	.182 (4.6)	"AAA"	Energizer, Duracell, Panasonic, Sanyo, Varta, Rayovac, Tadiran
1019	1018C	1	1.487 (37.8)	.720 (18.3)	.682 (17.3)	1.365 (42.9)	1.690 (42.9)	-	.319 (8.1)	"2/3 A"	Duracell DL2/3A, Kodak K123L, Panasonic CR123A, Saft 450SC & VR0450, Sanyo CR17335SE
1017	1024C	1	1.156 (29.4)	.612 (15.5)	.603 (15.3)	1.030 (26.2)	1.360 (34.5)	-	.265 (6.7)	"1/2 AA"	Energizer 544, Duracell PX28L, Kodak K28A & KS28, Saft LCP3, Maxell 4LR44, Sanyo CR14250SE
503	-	3	.450 (11.4)	.540 (13.7)	.506 (12.9)	.430 (10.9)	.570 (14.5)	-	.240 (6.1)	"1/3 N"	Duracell DL1/3N, Sanyo K58L, Energizer CR1/3N

THM BATTERY HOLDERS