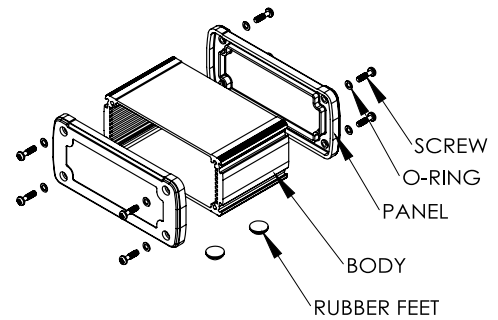
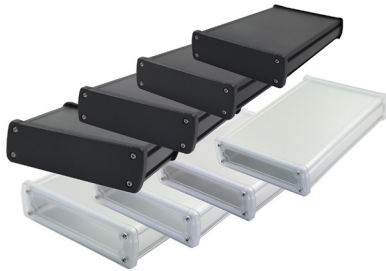


# Extruded Aluminium Enclosure with Plastic End Panel

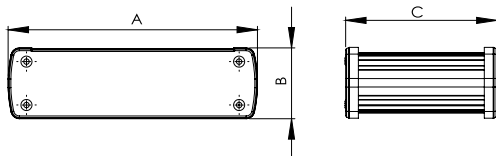
**multicomp** PRO



## Specifications

Body Material	: Aluminium Extrusion 6063, Silver Anodized/Black Anodized
Panel Material	: Polycarbonate, UL 94V-0, Transparent/Black
O-Ring	: Ø6mm × 0.5mm, Polycarbonate, Transparent
Rubber Feet	: Ø12mm x 5mm, Rubber, Black
Screw	: M3.5 × 12mm, Stainless Steel SUS 304

## Diagram



Part Number	External Dimension (mm) A × B × C
MC002199	146.6 × 41.6 × 89
MC002200	146.6 × 41.6 × 129
MC002201	146.6 × 41.6 × 169
MC002202	146.6 × 41.6 × 209

Part Number	External Dimension (mm) A × B × C
MC002203	146.6 × 41.6 × 89
MC002204	146.6 × 41.6 × 129
MC002205	146.6 × 41.6 × 169
MC002206	146.6 × 41.6 × 209

## Part Number Table

Description	Body Colour	Panel Colour	Part Number
Extruded Aluminium Enclosure with Plastic End Panel	Silver Anodized	Transparent	MC002199
			MC002200
			MC002201
			MC002202
	Black Anodized	Black	MC002203
			MC002204
			MC002205
			MC002206

**Important Notice** : This data sheet and its contents (the "Information") belong to the members of the AVNET group of companies (the "Group") or are licensed to it. No licence is granted for the use of it other than for information purposes in connection with the products to which it relates. No licence of any intellectual property rights is granted. The Information is subject to change without notice and replaces all data sheets previously supplied. The Information supplied is believed to be accurate but the Group assumes no responsibility for its accuracy or completeness, any error in or omission from it or for any use made of it. Users of this data sheet should check for themselves the Information and the suitability of the products for their purpose and not make any assumptions based on information included or omitted. Liability for loss or damage resulting from any reliance on the Information or use of it (including liability resulting from negligence or where the Group was aware of the possibility of such loss or damage arising) is excluded. This will not operate to limit or restrict the Group's liability for death or personal injury resulting from its negligence. Multicomp Pro is the registered trademark of Premier Farnell Limited 2019.

Newark.com/multicomp-pro  
Farnell.com/multicomp-pro  
Element14.com/multicomp-pro

**multicomp** PRO