

# QUINT4-PS/48-110DC/24DC/2.5/ PT

## DC/DC converter



Data sheet  
110261\_en\_00

© PHOENIX CONTACT 2021-08-03

## 1 Description

QUINT POWER power supplies are exceptionally small yet offer superior system availability in the sub 100 W power range.

### Powerful

- Static boost of up to 125% ( $P_N$ ) for a sustained period
- Dynamic boost of up to 200% ( $P_N$ ) for 4.9 s

### Space-saving

- Slim design
- Slim design for 120 mm control boxes

### Preventive

- Function monitoring through adjustable signaling of power thresholds or output voltage

### Flexible connection technology

- Tried-and-tested screw connection
- Fast Push-in connection

### Durable

- Efficiency up to 92%
- Low power dissipation

### Technical data (short form)

Input voltage range	48 V DC ... 110 V DC -37,5 % ...+40 %
Mains buffering	typ. 14 ms (48 V DC)
Nominal output voltage ( $U_N$ )	24 V DC
Setting range of the output voltage ( $U_{Set}$ )	24 V DC ... 28 V DC
Nominal output current ( $I_N$ )	2.5 A
Static Boost ( $I_{Stat.Boost}$ )	3.125 A ( $\leq 40$ °C)
Dynamic Boost ( $I_{Dyn.Boost}$ )	5 A ( $\leq 60$ °C (4,9 s))
Output power ( $P_N$ )	60 W
Output power ( $P_{Stat.Boost}$ )	75 W
Output power ( $P_{Dyn.Boost}$ )	120 W
Efficiency	typ. 93.7 % (110 V DC)
Residual ripple	< 20 mV <sub>pp</sub>
MTBF (IEC 61709, SN 29500)	> 618000 h (40 °C)
Ambient temperature (operation)	-25 °C ... 70 °C -40 °C (startup type tested) > 60 °C Derating: 2.5 %/K
Dimensions W/H/D	32 mm / 106 mm / 90 mm
Weight	0.24 kg



All technical specifications are nominal and refer to a room temperature of 25 °C and 70% relative humidity at 100 m above sea level.

**2 Table of contents**

1 Description ..... 1

2 Table of contents ..... 2

3 Ordering data ..... 3

4 Technical data ..... 4

5 Safety and installation notes ..... 13

6 High-voltage test (HIPOT) ..... 14

7 Structure of the power supply ..... 15

8 Mounting/removing the power supply ..... 18

9 Device connection terminal blocks ..... 20

10 Output characteristic curves ..... 20

11 Boost currents ..... 21

12 Signaling..... 23

13 Operating modes ..... 25

14 Derating ..... 27

### 3 Ordering data

Description	Type	Order No.	Pcs./Pkt.
Primary-switched DC/DC converter, QUINT POWER, DIN rail mounting, Push-in connection, input: 48 V DC - 110 V DC, output: 24 V DC / 2.5 A	QUINT4-PS/48-110DC/24DC/2.5/PT	1066708	1
Accessories	Type	Order No.	Pcs./Pkt.
Screwdriver, flat bladed, size: 0.4 x 2.0 x 60 mm, 2-component grip, with non-slip grip	SF-SL 0,4X2,0-60	1212546	10
Multi-channel electronic circuit breaker for protecting four loads at 24 V DC in the event of overload and short circuit. With electronic locking of the set nominal currents. For installation on DIN rails.	CBMC E4 24DC/1-10A NO	2906032	1
Multi-channel electronic circuit breaker for protecting four loads at 24 V DC in the event of overload and short circuit. With electronic locking of the set nominal currents. For installation on DIN rails.	CBMC E4 24DC/1-4A NO	2906031	1
Multi-channel electronic circuit breaker that can be preconfigured, for protecting four loads at 24 V DC in the event of overload and short circuit. With electronic locking of the set nominal currents. For installation on DIN rails.	CBMC E4 24DC/1-4A NO-C	2908713	1
Type 3 surge protection, consisting of protective plug and base element, with integrated status indicator and remote signaling for single-phase power supply networks. Nominal voltage: 24 V AC/DC	PLT-SEC-T3-24-FM-UT	2907916	5



The range of accessories is being continuously extended. The current range of accessories can be found in the download area for the product.

4 Technical data

**Input data**



Unless otherwise stated, all data applies for 25°C ambient temperature, 110 V DC input voltage, and nominal output current ( $I_N$ ).

Input voltage range	48 V DC ... 110 V DC -37,5 % ...+40 %
Electric strength, max.	160 V DC (60 s)
Current draw	typ. 1.7 A (48 V DC) / typ. 0.75 A (110 V DC)
Mains buffering	typ. 14 ms (48 V DC)
Switch-on time	< 1 s
Inrush current limitation	8 A
Inrush current integral ( $I^2t$ )	typ. 0.1 A <sup>2</sup> s
Input fuse slow-blow, internal	4 A



During the first few microseconds, the current flow into the filter capacitors is excluded.



The SCCR value (short-circuit current rating) of the power supply unit corresponds to the SCCR value of the backup fuse (see input protection table).

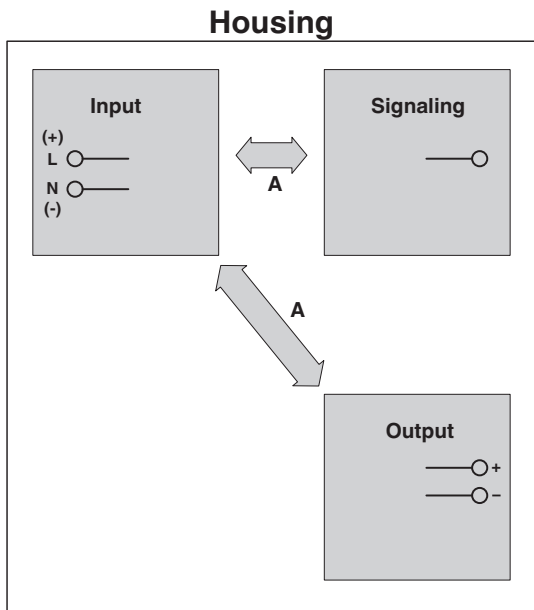


The external backup fuse must be approved for the (DC) supply voltage used and the voltage level.

**Input protection , DC ( to be connected externally upstream )**

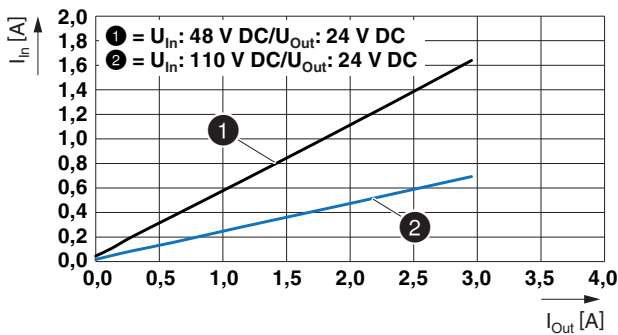
Input current $I_{IN}$ Input protection	Circuit breaker					Neozed fuse or equivalent	Power switch
	A	B	C	D	K		
Characteristics						gG	$\leq 13 \times I_{IN}$ (maximum magnetic tripping)
16 A	-	✓	✓	✓	✓	-	-

**Electric strength of the insulation**



	<b>A</b>
Type test ( IEC/EN 61010-1 )	2.6 kV DC
Production test	1.2 kV DC


**Input current vs. output current**



**Input connection data**

Connection method	Push-in connection
Conductor cross section, rigid	0.2 mm <sup>2</sup> ... 2.5 mm <sup>2</sup>
Conductor cross section, flexible	0.25 mm <sup>2</sup> ... 2.5 mm <sup>2</sup>
Conductor cross section flexible, with ferrule with plastic sleeve	0.25 mm <sup>2</sup> ... 2.5 mm <sup>2</sup>
Conductor cross section flexible, with ferrule without plastic sleeve	0.25 mm <sup>2</sup> ... 2.5 mm <sup>2</sup>
Conductor cross section AWG	22 ... 14
Stripping length	10 mm

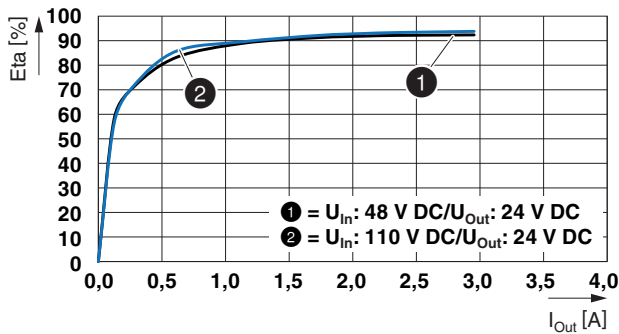
<b>Output data</b>	
Nominal output voltage ( $U_N$ )	24 V DC
Setting range of the output voltage ( $U_{Set}$ ) (> 24 V DC, constant capacity)	24 V DC ... 28 V DC
Nominal output current ( $I_N$ )	2.5 A
Static Boost ( $I_{Stat.Boost}$ )	3.125 A ( $\leq 40^\circ\text{C}$ )
Dynamic Boost ( $I_{Dyn.Boost}$ )	5 A ( $\leq 60^\circ\text{C}$ (4,9 s))
Control deviation change in load, static 10 % ... 90 %	< 1 %
Control deviation Dynamic load change 10 % ... 90 %, 10 Hz	< 2 %
Control deviation change in input voltage $\pm 10\%$	< 0.1 %
Short-circuit-proof	yes
No-load proof	yes
Residual ripple	< 20 mV <sub>PP</sub>
Connection in parallel	yes, for redundancy and increased capacity
Connection in series	yes
Feedback voltage resistance	$\leq 35$ V DC
Protection against overvoltage at the output (OVP)	$\leq 32$ V DC
Rise time typical	< 1 s ( $U_{OUT}$ (10 % ... 90 %))
<b>Output connection data</b>	
Connection method	Push-in connection
Conductor cross section, rigid	0.5 mm <sup>2</sup> ... 2.5 mm <sup>2</sup>
Conductor cross section, flexible	0.5 mm <sup>2</sup> ... 2.5 mm <sup>2</sup>
Conductor cross section flexible, with ferrule with plastic sleeve	0.5 mm <sup>2</sup> ... 2.5 mm <sup>2</sup>
Conductor cross section flexible, with ferrule without plastic sleeve	0.5 mm <sup>2</sup> ... 2.5 mm <sup>2</sup>
Conductor cross section AWG	20 ... 14
Stripping length	10 mm
<b>LED signaling</b>	
$P_{Out} > P_{Thr}$	LED lights up yellow, output power > $P_{Thr}$ , depending on the rotary selector switch setting
$U_{Out} > 0.9 \times U_{Set}$	LED lights up green
$U_{Out} < 0.9 \times U_{Set}$	LED flashes green
<b>Signal output (configurable)</b>	
Digital	0 V DC / 24 V DC , 22 mA
Default	24 V DC , 22 mA ( 24 V DC for $U_{Out} > 0.9 \times U_{Set}$ )

Signal connection data		
Connection method	Push-in connection	
Conductor cross section, rigid	0.2 mm <sup>2</sup> ... 2.5 mm <sup>2</sup>	
Conductor cross section, flexible	0.25 mm <sup>2</sup> ... 2.5 mm <sup>2</sup>	
Conductor cross section flexible, with ferrule with plastic sleeve	0.2 mm <sup>2</sup> ... 2.5 mm <sup>2</sup>	
Conductor cross section flexible, with ferrule without plastic sleeve	0.2 mm <sup>2</sup> ... 2.5 mm <sup>2</sup>	
Conductor cross section AWG	24 ... 14	
Stripping length	10 mm	
Reliability		
	<b>24 V DC</b>	
MTBF (IEC 61709, SN 29500)	> 1200000 h (25 °C) > 618000 h (40 °C) > 230000 h (60 °C)	
Life expectancy (electrolytic capacitors)		
	<b>24 V DC</b>	
<b>Output current (I<sub>Out</sub>)</b>		
2.5 A	> 171000 h ( 40 °C )	
2.5 A	> 343000 h ( 30 °C )	
	The expected service life is based on the capacitors used. If the capacitor specification is observed, the specified data will be ensured until the end of the stated service life. For runtimes beyond this time, error-free operation may be reduced. The specified service life of more than 15 years is simply a comparative value.	
Switching frequency		
	<b>Min.</b>	<b>Max.</b>
Auxiliary converter stage	130 kHz	130 kHz
Main converter stage	70 kHz	250 kHz
General data		
Degree of protection	IP20	
Protection class	II	
Inflammability class in acc. with UL 94 (housing / terminal blocks)	V0	
Type of housing	Polycarbonate (PC), UL 94 V0	
Dimensions W / H / D (state of delivery)	32 mm / 106 mm / 90 mm	
Dimensions W / H / D (90° turned)	90 mm / 106 mm / 32 mm	
Weight	0.24 kg	
Power dissipation		
	<b>24 V DC</b>	
Maximum power dissipation in no-load condition	< 2.2 W	
Power loss nominal load max.	< 4.8 W	

**Efficiency**

**24 V DC**

typ. 93.7 %



**Ambient conditions**

Ambient temperature (operation) -25 °C ... 70 °C (> 60 °C Derating: 2.5 %/K)



The ambient temperature (operation) refers to IEC 61010 surrounding air temperature.

Ambient temperature (start-up type tested) -40 °C

Ambient temperature (storage/transport) -40 °C ... 85 °C

Max. permissible relative humidity (operation) ≤ 95 % (at 25 °C, non-condensing)

Installation height ≤ 5000 m (> 2000 m, observe derating)

Vibration (operation) < 15 Hz, ±2.5 mm amplitude; 15 Hz ... 100 Hz: 2.3 g 90 Min. (in accordance with IEC 60068-2-6)

Shock 18 ms, 30g, in each space direction (according to IEC 60068-2-27)

Degree of pollution 2

Climatic class 3K3 (in acc. with EN 60721)

Overvoltage category EN 61010-1 II (≤ 5000 m)

**Standards**

Electrical safety (of control and regulation devices) IEC 61010-1

Protective extra-low voltage IEC 61010-1 (SELV)

Mains variation/undervoltage EN 61000-4-29

EMC requirements, power plant EN 61850-3  
EN 61000-6-5



**Approvals**

UL  
UL Listed UL 61010-1  
CAN/CSA C22.2 No. 61010-1-12  
UL Listed UL 61010-2-201  
CAN/CSA C22.2 No. 61010-2-201:18  
UL 121201 & CSA C22.2 No. 213-17 Class I, Division 2,  
Groups A, B, C, D T4 (Hazardous Location)

CB Scheme  
IEC 61010-1  
IEC 61010-2-201

Shipbuilding  
DNV GL



Current approvals/permissions for the product can be found in the download area under [phoenixcontact.net/products](http://phoenixcontact.net/products)

<b>Electromagnetic compatibility</b>		
<b>Conformance with EMC Directive 2014/30/EU</b>		
<b>Noise emission according to EN 61000-6-3 (residential and commercial) and EN 61000-6-4 (industrial)</b>		
<b>CE basic standard</b>	<b>Minimum normative requirements</b>	<b>Higher requirements in practice (covered)</b>
Conducted noise emission EN 55016	EN 61000-6-4 (Class A)	EN 61000-6-3 (Class B)
Noise emission EN 55016	EN 61000-6-4 (Class A)	EN 61000-6-3 (Class B)
<b>Noise emission for marine approval</b>		
	<b>Minimum normative requirements of DNV GL</b>	<b>Higher requirements in practice of DNV GL (covered)</b>
DNV GL conducted noise emission	Class A Area power distribution	Class B Bridge and deck area
DNV GL noise radiation	Class A Area power distribution	Class B Bridge and deck area
<b>Immunity according to EN 61000-6-1 (residential), EN 61000-6-2 (industrial), and EN 61000-6-5 (power station equipment zone), IEC/EN 61850-3 (energy supply)</b>		
<b>CE basic standard</b>	<b>Minimum normative requirements of EN 61000-6-2 (CE) (immunity for industrial environments)</b>	<b>Higher requirements in practice (covered)</b>
Electrostatic discharge EN 61000-4-2		
Housing contact discharge	4 kV (Test Level 2)	8 kV (Test Level 4)
Housing air discharge	8 kV (Test Level 3)	15 kV (Test Level 4)
Comments	Criterion B	Criterion A
Electromagnetic HF field EN 61000-4-3		
Frequency range	80 MHz ... 1 GHz	80 MHz ... 1 GHz
Test field strength	10 V/m (Test Level 3)	20 V/m (Test Level 3)
Frequency range	1 GHz ... 6 GHz	1 GHz ... 6 GHz
Test field strength	3 V/m (Test Level 2)	10 V/m (Test Level 3)
Comments	Criterion A	Criterion A
Fast transients (burst) EN 61000-4-4		
Input	2 kV (Test Level 3 - asymmetrical)	2 kV (Test Level 4 - asymmetrical)
Output	2 kV (Test Level 3 - asymmetrical)	2 kV (Test Level 4 - asymmetrical)
Signal	1 kV (Test Level 3 - asymmetrical)	2 kV (Test Level 4 - asymmetrical)
Comments	Criterion B	Criterion B

Immunity according to EN 61000-6-1 (residential), EN 61000-6-2 (industrial), and EN 61000-6-5 (power station equipment zone), IEC/EN 61850-3 (energy supply)		
CE basic standard	Minimum normative requirements of EN 61000-6-2 (CE) (immunity for industrial environments)	Higher requirements in practice (covered)
Surge voltage load (surge) EN 61000-4-5		
Input	0.5 kV (Test Level 3 - symmetrical) 1 kV (Test Level 3 - asymmetrical)	1 kV (Test Level 4 - symmetrical) 2 kV (Test Level 4 - asymmetrical)
Output	0.5 kV (Test Level 2 - symmetrical) 1 kV (Test Level 1 - asymmetrical)	1 kV (Test Level 3 - symmetrical) 2 kV (Test Level 3 - asymmetrical)
Signal	0.5 kV (Test Level 2 - symmetrical) 1 kV (Test Level 1 - asymmetrical)	1 kV (Test Level 4 - symmetrical) 2 kV (Test Level 4 - asymmetrical)
Comments	Criterion B	Criterion A
Conducted interference EN 61000-4-6		
Input/Output/Signal	asymmetrical	asymmetrical
Frequency range	0.15 MHz ... 80 MHz	0.15 MHz ... 80 MHz
Voltage	10 V (Test Level 3)	10 V (Test Level 3)
Comments	Criterion A	Criterion A
Power frequency magnetic field EN 61000-4-8		
	50 Hz , 60 Hz ( 30 A/m )	16.67 Hz , 50 Hz , 60 Hz ( 100 A/m 60 s )
	not required	50 Hz , 60 Hz ( 1 kA/m , 3 s )
	not required	0 Hz ( 300 A/m , DC, 60 s )
Comments	Criterion A	Criterion A
<b>Additional basic standard EN 61000-6-5 (immunity in power station), IEC/EN 61850-3 (energy supply)</b>		
Basic standard	Minimum normative requirements of EN 61000-6-5	Higher requirements in practice (covered)
Pulse-shape magnetic field EN 61000-4-9		
	not required	1000 A/m
Comments	none	Criterion A
Damped oscillating magnetic field EN 61000-4-10		
	not required	100 kHz 100 A/m
	not required	1 MHz 100 A/m
Comments	none	Criterion A

**Additional basic standard EN 61000-6-5 (immunity in power station), IEC/EN 61850-3 (energy supply)**

Basic standard	Minimum normative requirements of EN 61000-6-5	Higher requirements in practice (covered)
<b>Asymmetrical conducted disturbance variables EN 61000-4-16</b>		
Input, Output, Signals	15 Hz ... 150 Hz , 10 V on 1 V 150 Hz ... 1.5 kHz , 1 V 1.5 kHz ... 15 kHz , 1 V on 10 V 15 kHz ... 150 kHz , 10 V ( Test Level 3 )	15 Hz ... 150 Hz , 10 V on 1 V 150 Hz ... 1.5 kHz , 1 V 1.5 kHz ... 15 kHz , 1 V on 10 V 15 kHz ... 150 kHz , 10 V ( Test Level 3 )
	50 Hz , 60 Hz , 10 V (Permanent) 50 Hz , 60 Hz , 100 V (1 s) ( Test Level 3 )	16.7 Hz, 50 Hz, 60 Hz, 150 Hz, 180 Hz, 10 V (Permanent) 0 Hz , 16.7 Hz , 50 Hz , 60 Hz , 100 V (1 s) ( Test Level 3 )
Comments	Criterion A	Criterion A
<b>Alternating component of DC voltage EN 61000-4-17</b>		
Alternating component	10 % (U <sub>N</sub> ) , 50 Hz	10 % (U <sub>N</sub> ) , 50 Hz , 100 Hz , 150 Hz , 300 Hz
Comments	Criterion B	Criterion A
<b>Attenuated oscillating wave EN 61000-4-18</b>		
Input, Output	1 MHz, 0.5 kV ( Test Level 2 - symmetrical )	1 MHz , 0.5 kV ( Test Level 2 - symmetrical )
	1 MHz , 1 kV 10 MHz 0.5 kV ( Test Level 2 - asymmetrical )	1 MHz , 1 kV ( Test Level 2 - asymmetrical )
Signals	1 MHz , 0.5 kV ( Test Level 2 - symmetrical )	1 MHz 0.5 kV ( Test Level 2 - symmetrical )
	1 MHz , 1 kV ( Test Level 2 - asymmetrical )	1 MHz , 1 kV ( Test Level 2 - asymmetrical )
Comments	Criterion B	Criterion A
<b>Voltage dips EN 61000-4-29</b>		
<b>Input voltage ( 48 V DC )</b>		
Voltage dip	70 % , 100 ms ( Test Level 2 )	70 % , 100 ms ( Test Level 2 )
Comments	Criterion C	Criterion A
Voltage dip	40 % , 100 ms ( Test Level 2 )	40 % 100 ms ( Test Level 2 )
Comments	Criterion C	Criterion B
Voltage dip	0 % , 50 ms ( Test Level 2 )	0 % , 50 ms ( Test Level 2 )
Comments	Criterion B	Criterion B

**Key**

Criterion A	Normal operating behavior within the specified limits.
Criterion B	Temporary impairment to operational behavior that is corrected by the device itself.
Criterion C	Temporary adverse effects on the operating behavior, which the device corrects automatically or which can be restored by actuating the operating elements.

## 5 Safety and installation notes

### Symbols used

Instructions and possible hazards are indicated by corresponding symbols in this document.



This is the safety alert symbol. It is used to alert you to potential personal injury hazards. Obey all safety measures that follow this symbol to avoid possible personal injuries.

There are different categories of personal injury that are indicated by a signal word.



#### WARNING

This indicates a hazardous situation which, if not avoided, could result in death or serious injury.



#### CAUTION

This indicates a hazardous situation which, if not avoided, could result in minor or moderate injury.

The following symbols are used to indicate potential damage, malfunctions, or more detailed sources of information.



#### NOTE

This symbol together with the signal word NOTE and the accompanying text alert the reader to a situation which may cause damage or malfunction to the device, hardware/software, or surrounding property.



This symbol and the accompanying text provide the reader with additional information or refer to detailed sources of information.

### Safety notes and warning instructions



#### WARNING: Danger to life by electric shock!

- Only skilled persons may install, start up, and operate the device.
- Never carry out work when voltage is present.
- Establish connection correctly and ensure protection against electric shock.
- Cover termination area after installation in order to avoid accidental contact with live parts (e. g., installation in control cabinet).



#### NOTE

- Observe the national safety and accident prevention regulations.
- Assembly and electrical installation must correspond to the state of the art.
- The power supply is a built-in device and is designed for mounting in a control cabinet.
- The IP20 degree of protection of the device is intended for use in a clean and dry environment.
- Observe mechanical and thermal limits.
- Ensure that the primary-side wiring and secondary-side wiring are the correct size and have sufficient fuse protection.
- For the connection parameters for wiring the power supply, such as the required stripping length with and without ferrule, refer to the technical data section.
- Use copper cables for operating temperatures of >75 °C (ambient temperature <55 °C) >90 °C (ambient temperature <75 °C).
- Protect the device against foreign bodies penetrating it, e.g., paper clips or metal parts.
- The power supply is maintenance-free. Repairs may only be carried out by the manufacturer. The warranty no longer applies if the housing is opened.
- The power supply may only be used for its intended use.

## 6 High-voltage test (HIPOT)

This protection class II power supply is subject to the Low Voltage Directive and is factory tested. During the HIPOT test (high-voltage test), the insulation between the input circuit and output circuit is tested for the prescribed electric strength values, for example. The test voltage in the high-voltage range is applied at the input and output terminal blocks of the power supply. The operating voltage used in normal operation is a lot lower than the test voltage used.



High-voltage tests up to 1.2 kV DC can be performed as described.

The test voltage should rise and fall in ramp form. The relevant rise and fall time of the ramp should be at least two seconds.

### 6.1 High-voltage dielectric test (dielectric strength test)

In order to protect the user, power supplies (as electric components with a direct connection to potentially hazardous voltages) are subject to more stringent safety requirements. For this reason, permanent safe electrical isolation between the hazardous input voltage and the touch-proof output voltage as safety extra-low voltage (SELV) must always be ensured.

In order to ensure permanent safe isolation of the DC input circuit and DC output circuit, high-voltage testing is performed as part of the safety approval process (type test) and manufacturing (routine test).

### 6.2 High-voltage dielectric test during the manufacturing process

During the power supply manufacturing process, a high-voltage test is performed as part of the dielectric test in accordance with the specifications of IEC/UL/EN 61010-1. The high-voltage test is performed with a test voltage of at least 1.2 kV DC or higher. Routine manufacturing tests are inspected regularly by a certification authority.

### 6.3 High-voltage dielectric test performed by the customer

Apart from routine and type tests to guarantee electrical safety, the end user does not have to perform another high-voltage test on the power supply as an individual component. According to EN 60204-1 (Safety of machinery - Electrical equipment of machines) the power supply can be disconnected during the high-voltage test and only installed once the high-voltage test has been completed.

### 6.3.1 Performing high-voltage testing

If high-voltage testing of the control cabinet or the power supply as a stand-alone component is planned during final inspection and testing, the following features must be observed.

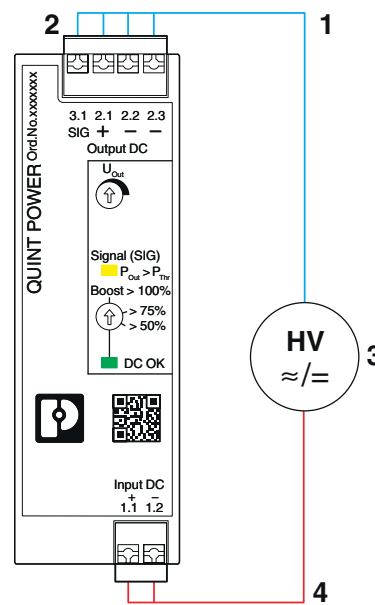
- The power supply wiring must be implemented as shown in the wiring diagram.
- The maximum permissible test voltages must not be exceeded.

Avoid unnecessary loading or damage to the power supply due to excessive test voltages.



For the relevant applicable test voltages and insulation distances, refer to the corresponding table (see technical data: electric strength of the insulation section).

Figure 1 Potential-related wiring for the high-voltage test



#### Key

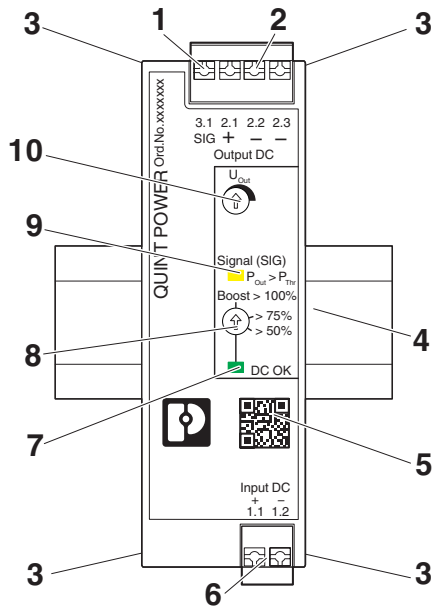
No.	Designation	Color coding	Potential levels
1	DC output circuit	Blue	Potential 1
2	Signal contacts	Blue	Potential 1
3	High-voltage tester	--	--
4	DC input circuit	Red	Potential 2

## 7 Structure of the power supply

The fanless convection-cooled power supply can be snapped onto all DIN rails according to EN 60715.

### 7.1 Function elements

Figure 2 Operating and indication elements



#### Key

No.	Designation
1	Connection terminal block signal output (SIG) DC OK, $P_{Out} > P_{Thr}$ : +24 V DC, 22 mA
2	Connection terminal block output voltage: Output DC +/-
3	Accommodation for cable binders
4	Integrated snap-on foot for carrier rail mounting
5	QR code web link
6	Connection terminal block input voltage: Input +/-
7	Signaling DC OK LED
8	Rotary selector, status of the output voltage (DC OK) or output power ( $P_{Out} > P_{Thr}$ )
9	Signaling $P_{Out} > P_{Thr}$ LED (yellow): output power $P_{Out} >$ output power threshold $P_{Thr}$
10	Potentiometer output voltage

### 7.2 Device dimensions

Figure 3 Device dimensions (dimensions in mm)

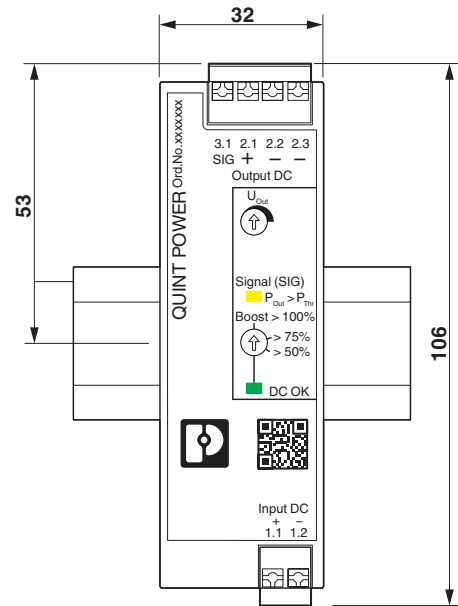
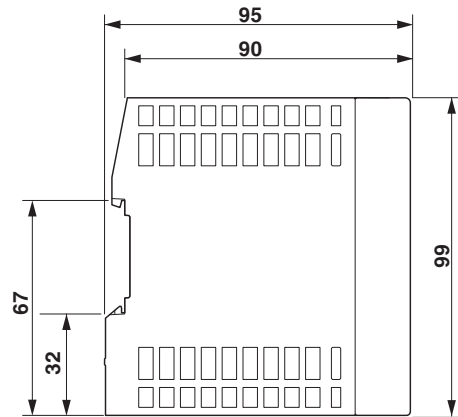


Figure 4 Device dimensions (dimensions in mm)



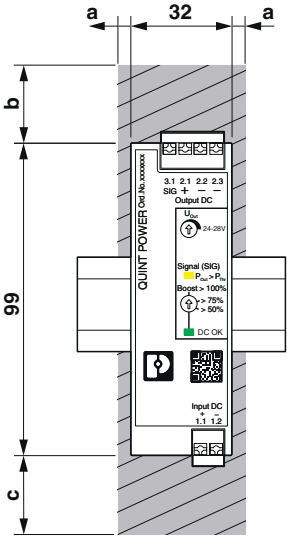
7.3 Keep-out areas

Nominal output capacity	Spacing [mm]		
	a	b	c
< 50 %	0	30	30
≥ 50 %	5	30	30



If adjacent components are active and the nominal output power ≥ 50%, there must be lateral spacing of 15 mm.

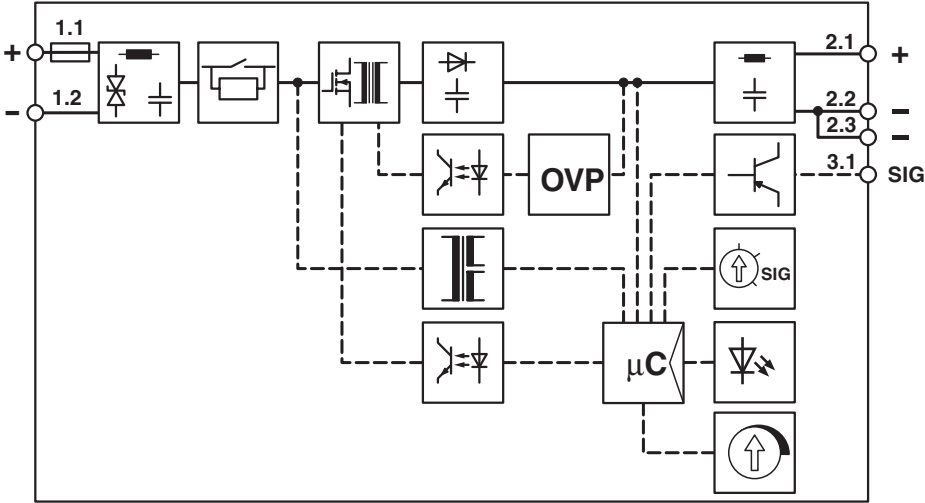
Figure 5 Device dimensions and minimum keep-out areas (in mm)





7.4 Block diagram

Figure 6 Block diagram



Key

Symbol	Designation
	Surge protection (diode) with filter
	Inrush current limitation
	Switching transistor and main transmitter (electrically isolating)
	Secondary rectification and smoothing
	Filter
	Optocoupler (electrically isolating)
	Additional regulatory protection against surge voltage

Symbol	Designation
	Auxiliary converter (electrically isolating)
	Microcontroller
	PNP transistor switch output
	Rotary selector switch
	Signal/display LEDs
	Potentiometer output voltage

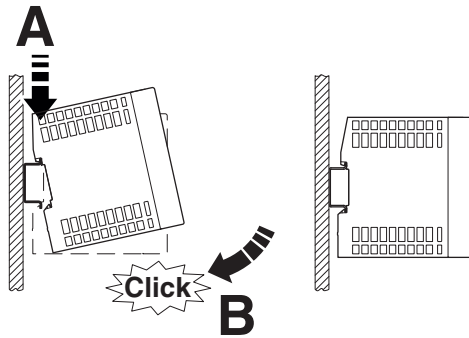
## 8 Mounting/removing the power supply

### 8.1 Mounting the power supply unit

Proceed as follows to mount the power supply:

1. The power supply is mounted in the normal mounting position from above onto the 35 mm DIN rail (DIN EN 60715). Make sure that the integrated snap-on foot is in the correction position behind the DIN rail (A).
2. Then press the power supply down until the integrated snap-on foot audibly latches into place (B).
3. Check that the power supply is securely attached to the DIN rail.

Figure 7 Snapping the power supply onto the DIN rail

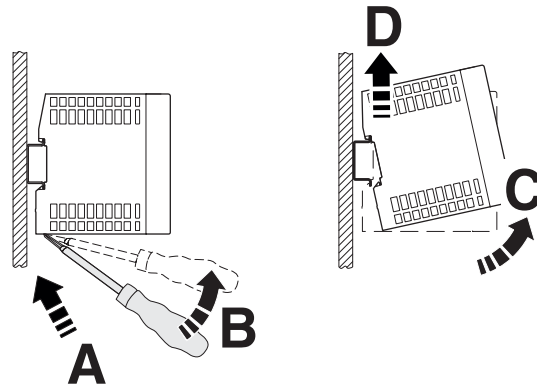


### 8.2 Removing the power supply unit

Proceed as follows to remove the power supply:

1. Take a suitable screwdriver and insert this into the lock hole on the integrated snap-on foot (A).
2. Release the lock by lifting the screwdriver (B).
3. Carefully swivel the power supply forward (C) so that the lock slides back into the starting position.
4. Then separate the power supply from the DIN rail (D).

Figure 8 Removing the power supply from the DIN rail



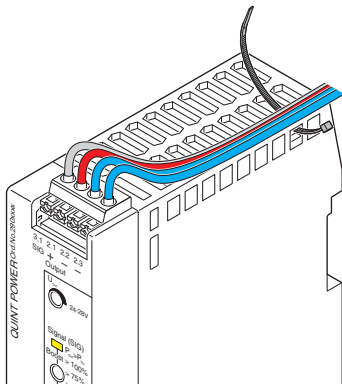
### 8.3 Fix connection wiring to the power supply

Two receptacles for the bundled attachment of the connection wiring are integrated in the left and right housing panel. Use cable binders to secure the connection wiring (optional WT-HF 3,6X140 - Order No. 3240744).

Proceed as follows to secure the connection wiring:

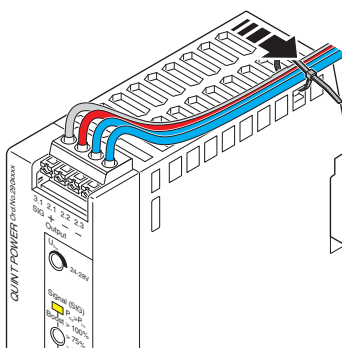
- Wire the power supply with sufficient connection reserve (input terminal blocks, output terminal blocks, signal terminal block)
- Bundle and set up the connection wiring so that the ventilation slits on the top and bottom of the housing are covered as little as possible.
- Thread the cable binders into the necessary receptacles for the cable binders.

Figure 9 Lay and align connection wiring



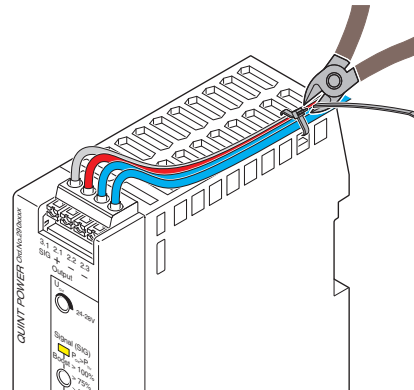
- Secure the connection wiring with the cable binders. Make sure that the connection wiring is attached safely and securely without damaging the connection wiring.

Figure 10 Secure connection wiring with cable binder



- Shorten the excess length of the cable ties.
- Then check again that the connection wiring is properly secured.

Figure 11 Shorten protruding ends of the cable binder



**NOTE:** Mechanical damage to the connection wiring caused by friction

In extreme ambient conditions, e.g., strong vibrations, protect the connection wiring against mechanical damage using additional insulation material. The additional insulation material for protecting the connection wiring is limited to the area where the cable binders are attached.

## 9 Device connection terminal blocks

The front-mounted DC input and DC output terminal blocks and the signal terminal blocks of the power supply feature Push-in connection technology. The wiring is performed by plugging in, without tools.



For the necessary connection parameters for the connection terminal blocks, refer to the technical data section.

### 9.1 Input

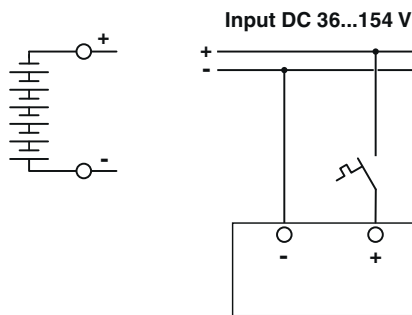
The power supply is connected on the primary side via the Input +/- connection terminal blocks.

### 9.2 Protection of the primary side

Installation of the device must correspond to EN 61010 regulations. It must be possible to switch off the device using a suitable disconnecting device outside the power supply. The line protection on the primary side is suitable for this (see technical data section).

#### Protection

Figure 12 Pin assignment for DC supply voltage



DC applications require upstream installation of a fuse that is permitted for the operating voltage.

### 9.3 Output

By default, the power supply is pre-set to a nominal output voltage of 24 V DC.

The output voltage is adjusted using the potentiometer.

### 9.4 Protection of the secondary side

The power supply is electronically short-circuit-proof and no-load-proof. In the event of an error, the output voltage is limited



If sufficiently long connecting cables are used, fuse protection does not have to be provided for each individual load.

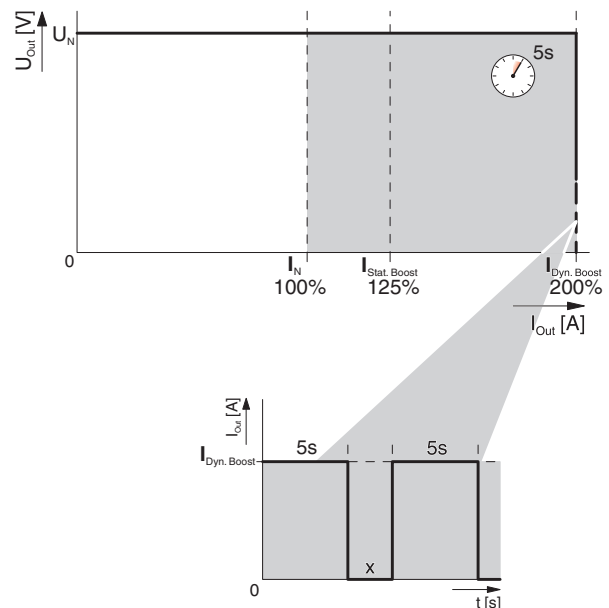
If each load is protected separately with its own protective device, the selective shutdown in the event of a fault enables the system to remain operational.

## 10 Output characteristic curves

The U/I output characteristic curve is optimized for the following applications:

- When supplying loads with high switch-on currents, such as motors. The dynamic boost of the power supply supplies up to 200% of the nominal power for 5 s. This ensures that sufficient reserve energy is available; overdimensioning of the power supply is not necessary.
- For system extension. With the static boost, up to 125% of the nominal output power is available for a sustained period (up to 40°C).
- For fast energy storage charging (e.g., of batteries) to supply a wide range of loads. The power supply operates in the nominal operating range. Energy supply to the load is ensured.

Figure 13 U/I output characteristic curve



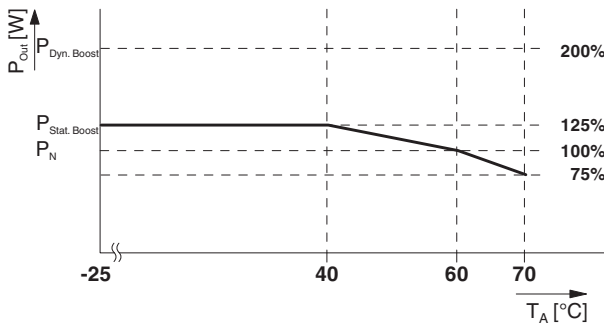
## 11 Boost currents

The power supply provides the static boost ( $I_{Stat. Boost}$ ) for a sustained load supply or the time-limited dynamic boost ( $I_{Dyn. Boost}$ ).

### 11.1 Static Boost

For system expansion purposes, the sustained static boost ( $I_{Stat. Boost}$ ) supports the load supply with up to 125 % of the nominal current of the power supply. The static boost is available at an ambient temperature of up to 40 °C.

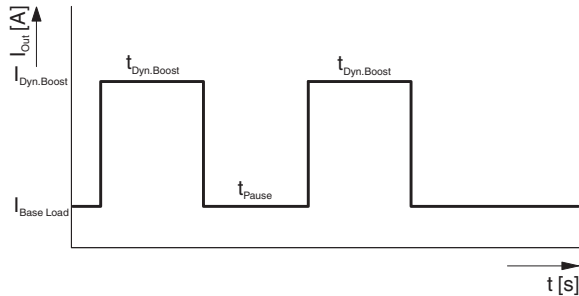
Figure 14 Performance characteristic in static boost



### 11.2 Dynamic Boost

Dynamic boost ( $I_{Dyn.Boost}$ ) delivers up to 200% of the power supply nominal current to supply high loads. This temporary power supply to the load lasts a maximum of 5 s at an ambient temperature of up to 60°C.

Figure 15 Basic curve of the dynamic boost process



Use the following tables to determine the required recovery time ( $t_{Pause}$ ) at the maximum dynamic boost current ( $I_{Dyn. Boost}$ ) based on the following values:

- $I_{Base Load}$
- Duration of the boost current ( $t_{Dyn. Boost}$ )
- Ambient temperature (40 °C or 60 °C)



If a current that is lower than the maximum available dynamic boost current ( $I_{Dyn. Boost}$ ) is required for the same period, the recovery time may ( $t_{Pause}$ ) decrease.

#### 11.2.1 Recovery times at an ambient temperature of 40 °C

Figure 16 Required recovery times at  $\leq 40^\circ\text{C}$

$I_{Base Load}$ [A]	$I_{Dyn. Boost}$ [A]	$t_{Dyn. Boost}$ [s]					$t_{Pause}$ [s]
		1	2	3	4	5	
0,0	5	1,7	3,4	5	7	8	
0,6	5	2,1	4,2	6	8	10	
1,3	5	2,8	6	8	11	14	
1,9	5	4,1	8	12	16	20	
2,5	5	8	15	23	31	39	

#### 11.2.2 Recovery times at an ambient temperature of 60 °C

Figure 17 Required recovery times at  $\leq 60^\circ\text{C}$

$I_{Base Load}$ [A]	$I_{Dyn. Boost}$ [A]	$t_{Dyn. Boost}$ [s]					$t_{Pause}$ [s]
		1	2	3	4	5	
0,0	5	3	6	9	12	15	
0,6	5	4	8	12	16	20	
1,3	5	6	12	18	24	30	
1,9	5	12	24	36	48	60	
2,5	5	60	60	60	60	60	

**11.2.3 Example: Determining the recovery time  
( $t_{\text{Pause}}$ )**

At an output current ( $I_{\text{Base Load}}$ ) of 1.3 A, the dynamic output current ( $I_{\text{Dyn. Boost}}$ ) of 5 A increases for 2 s ( $t_{\text{Dyn. Boost}}$ ). After a recovery time ( $t_{\text{Pause}}$ ) of 6 s, the dynamic boost is available once again.

Figure 18 Example recovery time for  $\leq 40^\circ\text{C}$

$I_{\text{Based Load}}$ [A]	$I_{\text{Dyn. Boost}}$ [A]	$t_{\text{Dyn. Boost}}$ [s]					$t_{\text{Pause}}$ [s]
		1	2	3	4	5	
0,0	5	1,7	3,4	5	7	8	
0,6	5	2,1	4,2	6	8	10	
1,3	5	2,8	6	8	11	14	
1,9	5	4,1	8	12	16	20	
2,5	5	8	15	23	31	39	

## 12 Signaling

For signaling and the functional monitoring of the power supply two LEDs and an active signal output are available. Using the rotary selector select the required functional monitoring. The monitoring of the output voltage (DC OK) or the exceedance of the output power threshold are available ( $P_{Out} > P_{Thr}$ ).

### 12.1 Rotary selector switch in position DC OK:

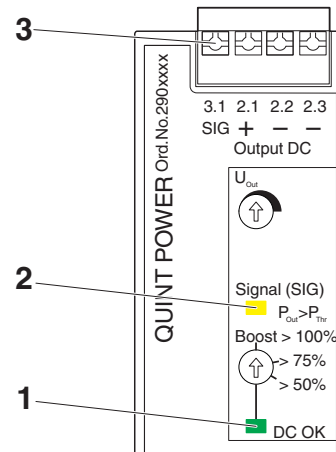
In this switch position the output voltage ( $U_{Out}$ ) is monitored. If the DC OK threshold is exceeded ( $U_{Out} > 0.9 \times U_{Set}$ ) the green DC OK LED turns on. Additionally, the signal output (SIG) "active high" is active. If the output voltage drops below the DC OK threshold value ( $U_{Out} < 0.9 \times U_{Set}$ ), the DC OK LED flashes. The signal output is switched to "active low".

### 12.2 Rotary selector switch in position >50 %, >75 % or boost >100 %:

In each of these switch positions the output power ( $P_{Out}$ ) is monitored. When the set threshold is exceeded the yellow LED lights up ( $P_{Out} > P_{Thr}$ ) and the signal output (SIG) switches to "active low".

## 12.3 Location and function of the signaling elements

Figure 19 Position of signaling elements



### Key

No.	Signaling elements
1	LED status indicator DC OK
	LED on: $U_{Out} > 90\% \times U_{Set}$
	LED flashing: $U_{Out} < 90\% \times U_{Set}$
2	LED $P_{Out} > P_{Thr}$
3	Active signal output

The following table shows the standard assignment for signaling for the U/I characteristic curves which is set by default.

Figure 20 U/I signaling

		Normal operation $P_{Out} < P_{Thr}$	BOOST $P_{Out} > P_{Thr}$	Overload operation $U_{Out} < 0.9 \times U_{Set}$	
LED: $P_{Out} > P_{Thr}$	yellow				
Signal SIG: $P_{Out} > P_{Thr}$	default	active high	active low	active low	
LED: DC OK	green				
Signal SIG: DC OK	default	active high	active high	active low	

LED off

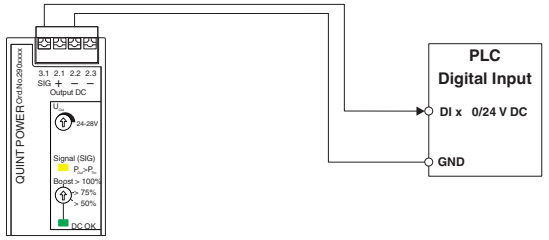
LED on

LED flashing

**12.4 Active signal outputs, digital**

Signals are routed to a superordinate controller via the digital signal output "3.1 SIG".  
 The 24 V DC signal is applied between the connection terminal blocks "3.1 SIG" and "2.2 -" or "2.3 -". The maximum load is 30 mA.

Figure 21 Signaling



**12.4.1 Signal level surge protection**

**IEC 61850-3 Immunity Requirement**

Signal connections must satisfy the immunity requirement. Equipment that is installed in "protected" areas and has direct connections to other areas must satisfy the immunity criteria.

Use Phoenix Contact surge protection (Order No. 2905223) when you are using signal connection types p, l, f, and h for the signal paths.

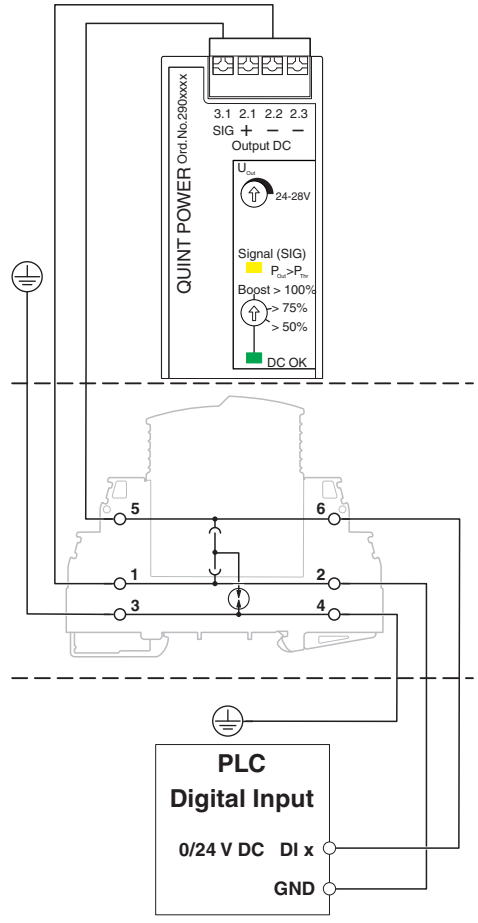
**DIN EN 61000-6-5 Electromagnetic Compatibility (EMC)**

The interface area may include items such as equipment, devices, apparatus, and systems connected to the outside world.

Use Phoenix Contact surge protection (Order No. 2905223) when you are using connection terminal blocks "3.1 SIG" and "2.2 -" or "2.3 -" for the signals.

(see Section: Technical data, electromagnetic compatibility table)

Figure 22 Schematic diagram, signal wiring with TRABTECH surge protection





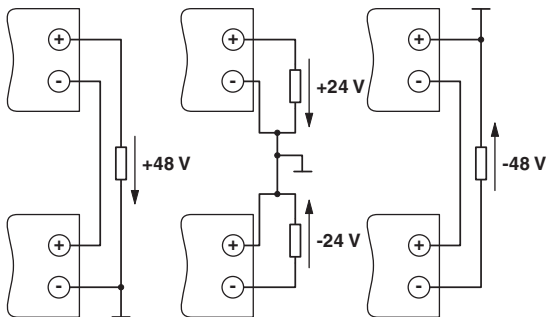
## 13 Operating modes

Depending on the intended use, the power supply can be run in series or parallel operation.

### 13.1 Series operation

To double the output voltage, connect two power supplies in series. Only use power supplies with the same performance class and configuration for series operation. If two 24 V DC power supplies are connected in series, an output voltage of 48 V DC is available to supply the loads.

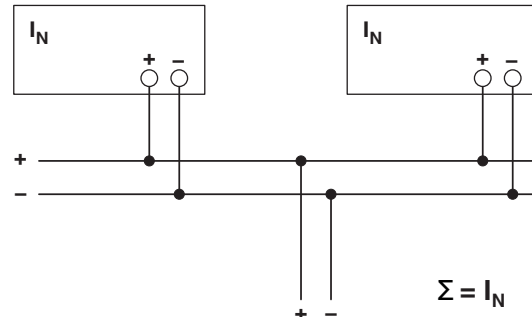
Figure 23 Schematic diagrams in series operation



### 13.2 Parallel operation

You can connect several power supplies in parallel in order to increase the power or to supply the loads redundantly.

Figure 24 Schematic diagram in parallel operation



Observe the following points when carrying out parallel connection:

1. Use power supplies of the same type and performance class
2. Setting the same output voltages
3. Using the same cable cross sections for wiring
4. Using the same cable lengths for the DC convergence point
5. Operating power supplies in the same temperature environment
6. When three or more power supplies are connected in parallel, each output must be protected (e.g., with circuit breakers or decoupling modules)

### 13.2.1 Redundancy operation

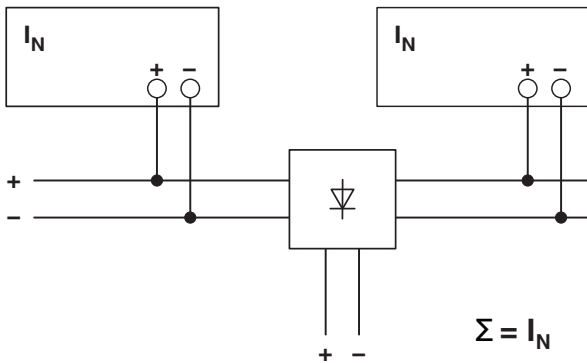
Redundant circuits are suitable for supplying systems and system parts which place particularly high demands on operational reliability.

If energy is to be supplied to the load with 1+1 redundancy, two power supplies of the same type and performance class must be used. In the event of an error, it must be ensured that one of the power supplies is able to provide the total required power for the load. This means that in redundancy mode, two 2.5 A power supplies supply a load with a nominal current of 2.5 A, for example. During normal operation of the power supplies, each power supply therefore supplies 1.25 A.

Always use cables with the same cross sections and lengths when wiring the power supplies on the DC output side.

A redundancy module can be used to 100% decouple two power supplies from one another and to ensure the supply. A distinction is made here between passive and active redundancy modules. Optimum decoupling with simultaneous monitoring and minimal power dissipation can be achieved with the UNO DIODE redundancy module.

Figure 25 Schematic diagram, redundant operation with diode



Certain specifications apply in redundancy operation with regard to the configuration of the keepout areas. In redundancy operation, the power supplies are operated with maximum half the nominal power. The keepout areas are therefore reduced.

The following conditions must be met for 1+1 and n+1 redundancy operation of the power supplies in conjunction with a UNO DIODE redundancy module.

Only use power supplies with the same performance class and configuration for parallel connection.

Using the signaling settings, you can monitor whether both power supplies are being operated with  $\leq$  half the nominal load. In the case of system extension, an overload is prevented if one of the power supplies fails.

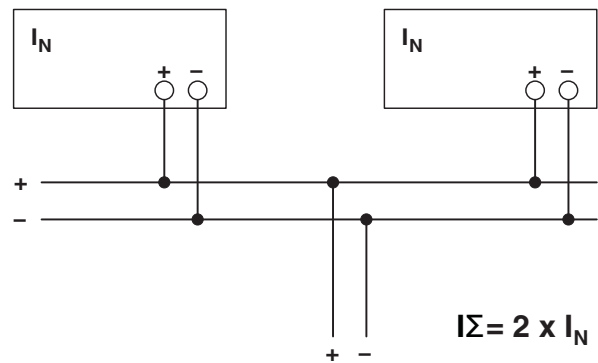
### 13.2.2 Increased power

When n power supplies are connected in parallel, the output current is increased to  $n \times I_N$ . Parallel connection for increased power is used when extending existing systems. If the individual power supply does not cover the current consumption of the most powerful load, parallel connection of power supplies is recommended.



When three or more power supplies are connected in parallel, each output must be protected separately, e.g., by a circuit breaker or decoupling module such as UNO DIODE or STEP DIODE.

Figure 26 Schematic diagram of increased performance



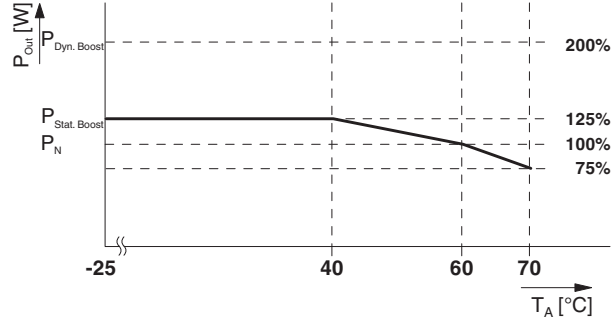
### 14 Derating

The QUINT POWER power supply runs in nominal operation without any limitations. For operation outside the nominal range, the following points should be observed depending on the type of use.

#### 14.1 Ambient temperature

When operating the power supply at an ambient temperature of > 60 °C, a power derating of 2.5 %/K should be observed. Up to an ambient temperature of 40 °C, the power supply can take power from the static boost for a sustained period. In the 40 °C to 60 °C temperature range, the power supply can output more than the nominal power for a sustained period.

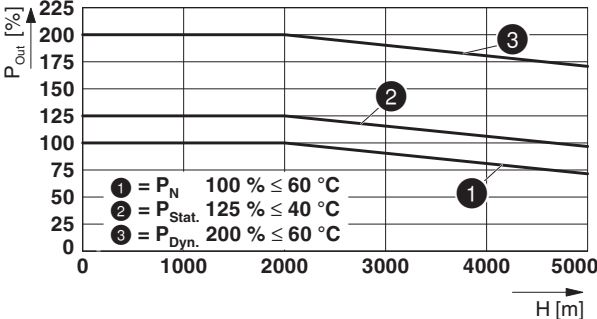
Figure 27 Output power depending on the ambient temperature



#### 14.2 Installation height

The power supply can be operated at an installation height of up to 2000 m without any limitations. Different data applies for installation locations above 2000 m due to the differing air pressure and the reduced convection cooling associated with this (see technical data section). The data provided is based on the results of pressure chamber testing performed by an accredited test laboratory.

Figure 28 Output power depending on the installation height



**14.3 Position-dependent derating**

The fanless convection-cooled power supply can be snapped onto all DIN rails according to EN 60715.

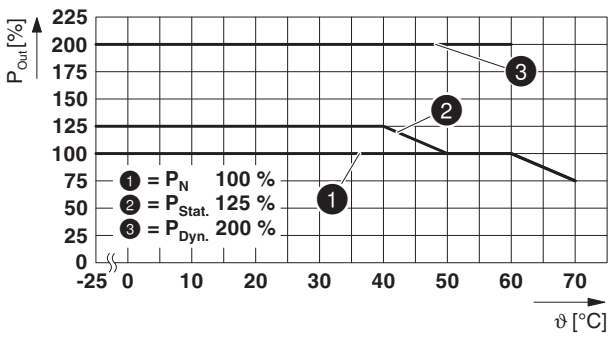
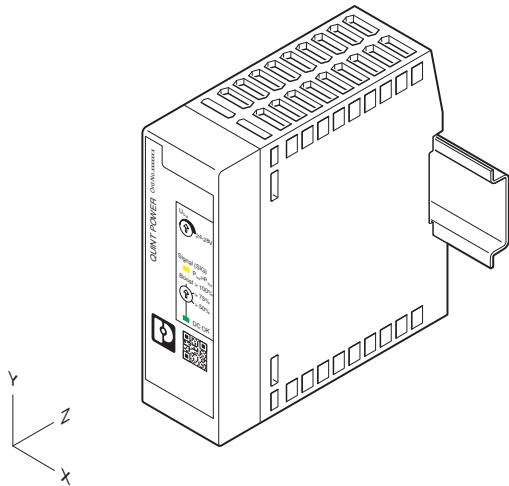


The power supply should be mounted horizontally for heat dissipation reasons (input connection terminal blocks facing downward). Please observe the derating for any mounting other than the normal mounting position. Reduce the output power based on the prevailing ambient temperature.

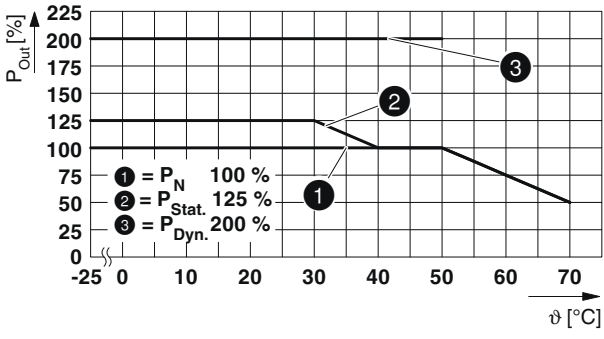
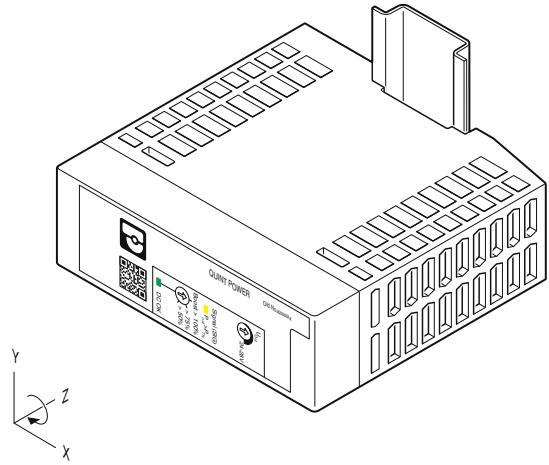
The recommended output power for different mounting positions and ambient temperatures can be found in the characteristic curves below.

Exceeding these values will reduce the service life of the power supply.

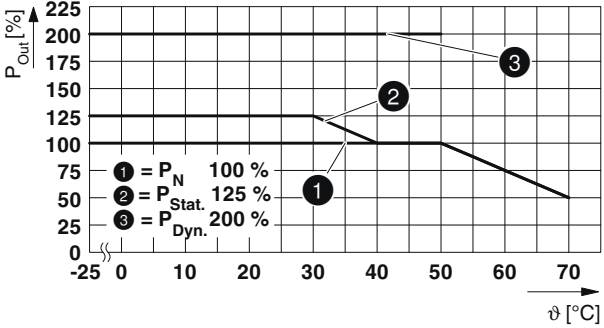
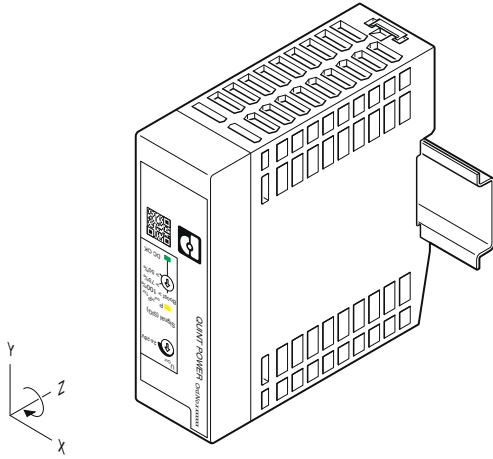
**14.3.1 Normal mounting position**



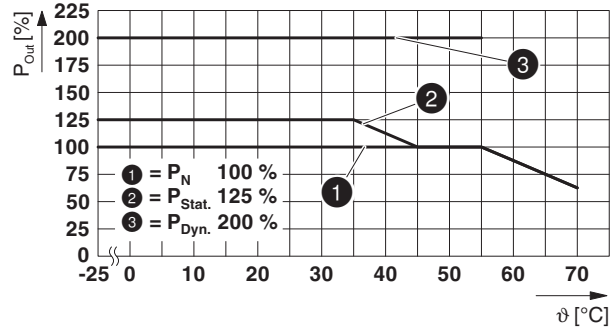
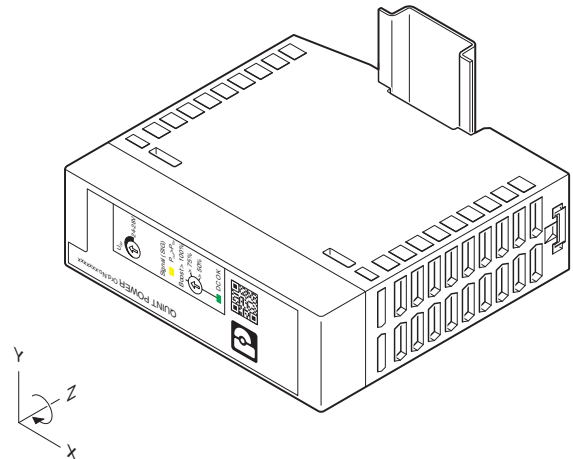
**14.3.2 Rotated mounting position 90° Z-axis**



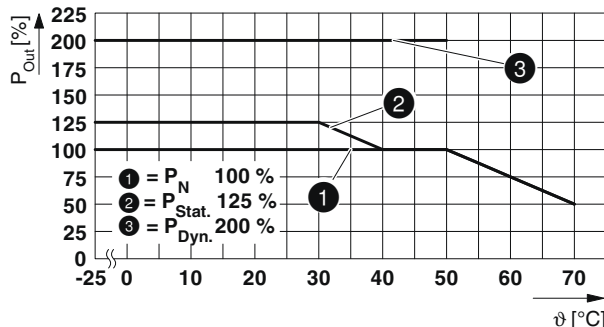
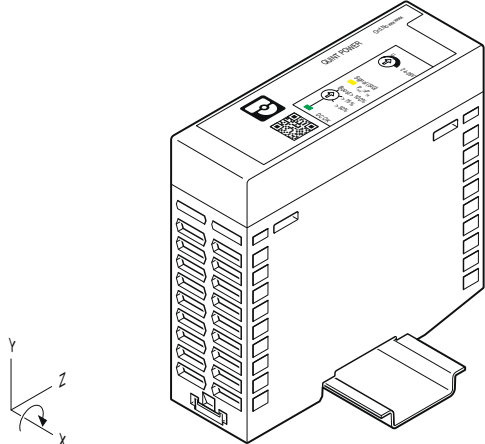
14.3.3 Rotated mounting position 180° Z-axis



14.3.4 Rotated mounting position 270° Z-axis



14.3.5 Rotated mounting position 90° X-axis



14.3.6 Rotated mounting position 270° X-axis

