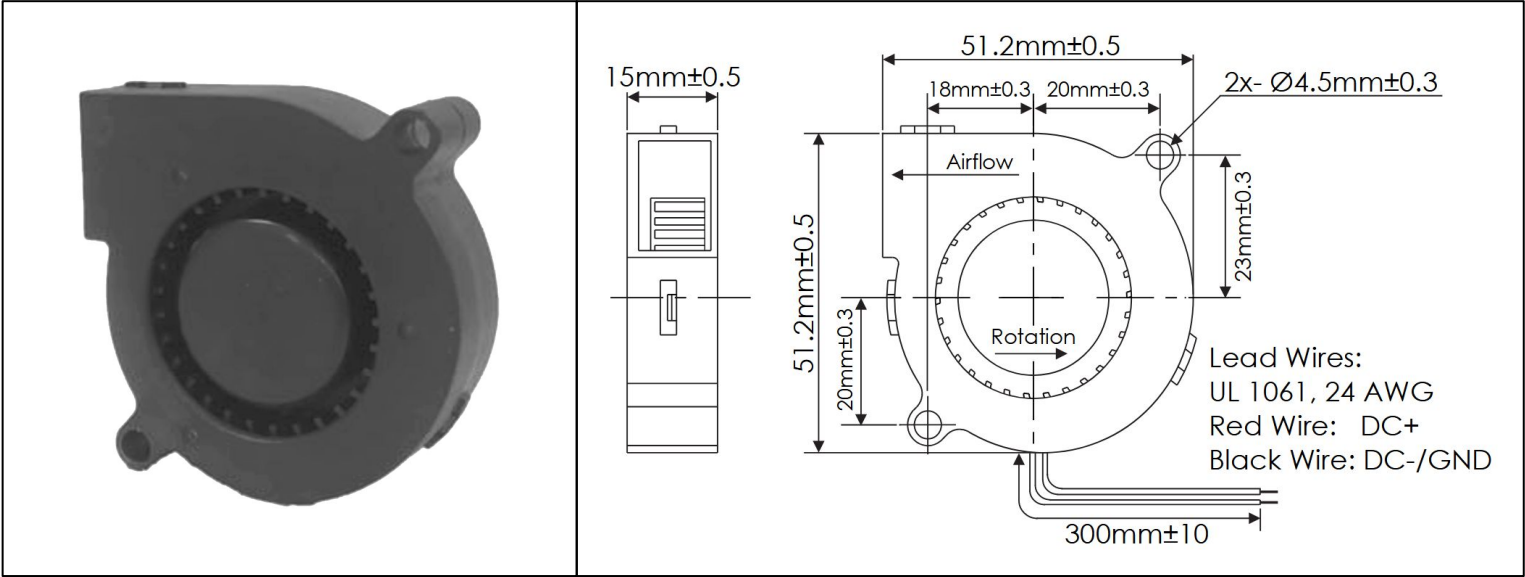


# ODB5115 Series



DC Blowers - 12, 24V  
51mm x 15mm (2.0" x 0.6")



Frame	PBT, UL94 V-0 Plastic	<b>Operating Temperature</b> -20°C ~ +65°C  <b>Storage Temperature</b> -20°C ~ +75°C  <b>Life Expectancy</b> 70,000 Hours (L10 at 40°C)  <b>Available Options</b> PWM Speed Control Input Thermal Speed Control Tachometer Output Alarm Output 5 Volt Models IP Ratings  Weight: 0.07 lbs	
Impeller	PBT, UL94 V-0 Plastic		
Connection	2x Wire Leads, 24 AWG		
Motor	Brushless DC, Auto Cutoff, Auto Restart, Electronically Protected		
Bearing System	Ball Bearings		
Dielectric Strength	500VDC/min, <1mA		
Insulation Resistance	≥10MΩ @ 500 VDC		

Part Number	Rated Voltage (Volts DC)	Voltage Range (Volts DC)	Input Power (Watts)	Rated Current (Amps)	Rated Speed (RPM)	Max Airflow (CFM)	Noise Level (dBA)	Max Static Pressure (\"H <sub>2</sub> O)
ODB5115-12HHB	12	8 ~ 13.8	1.80	0.15	6450	4.8	45.1	0.88
ODB5115-12HB	12	8 ~ 13.8	1.10	0.09	5425	3.8	38.4	0.58
ODB5115-12MB	12	8 ~ 13.8	0.85	0.07	4500	3.4	35.2	0.45
ODB5115-12LB	12	8 ~ 13.8	0.72	0.06	3500	2.8	28.7	0.30
ODB5115-24HHB	24	15 ~ 26	2.90	0.12	6450	4.8	45.1	0.88
ODB5115-24HB	24	15 ~ 26	1.68	0.07	5425	3.8	38.4	0.58
ODB5115-24MB	24	15 ~ 26	1.20	0.05	4500	3.4	35.2	0.45