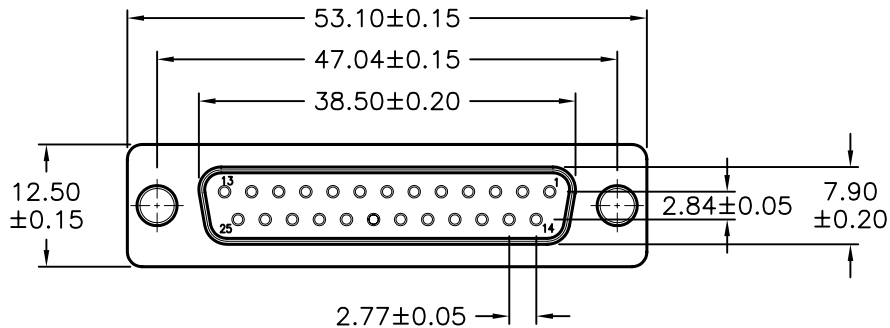
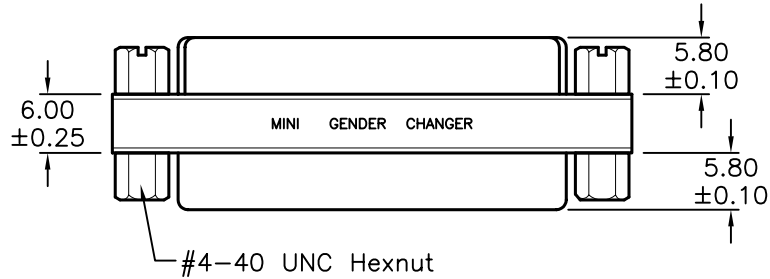
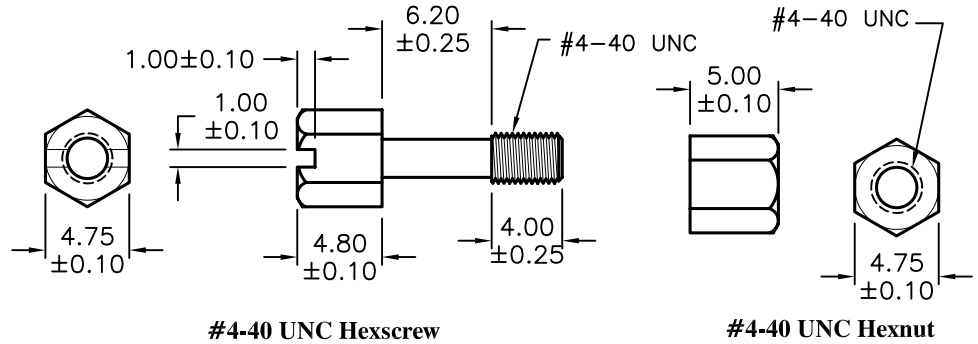
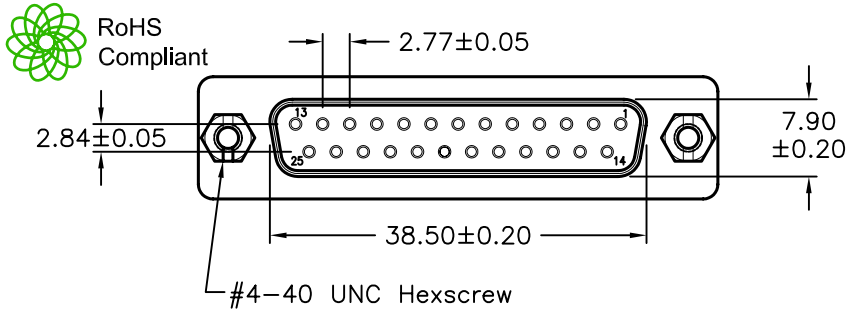


REVISIONS

DCP #	REV	DESCRIPTION	DRAWN	DATE	CHECKD	DATE	APPRVD	DATE
1891	A	RELEASED	EO	06/27/06	SA	7/25/06	HO	7/25/06



PIN OUT:

25P Female	25P Female
1 — — — — 1	
2 — — — — 2	
3 — — — — 3	
}	
24 — — — — 24	
25 — — — — 25	
G — — — — G	

SPECIFICATION:

- Current Rating: 3 AMP
- Insulator: PBT Glass fibre reinforced UL94V-0
- Contact: Brass
- Contact Plated: Gold plated over Nickel
- Shell: Tin Plated Shell
- Dielectric Strength: 1000 VAC for one Minute
- Insulator Resistance: 1000 Megohm min at 500 VDC
- Temperature: -55°C to +105°C

DISCLAIMER:
ALL STATEMENTS AND TECHNICAL INFORMATION CONTAINED HEREIN ARE BASED UPON INFORMATION AND/OR TESTS WE BELIEVE TO BE ACCURATE AND RELIABLE. SINCE CONDITIONS OF USE ARE BEYOND OUR CONTROL, THE USER SHALL DETERMINE THE SUITABILITY OF THE PRODUCT FOR THE INTENDED USE AND ASSUME ALL RISK AND LIABILITY WHATSOEVER IN CONNECTION THEREWITH.

TOLERANCES:
Unless Otherwise Specified
.X ±0.2 [0.008]
.XX ±0.12 [0.005]

DRAWN BY: EKLAS ODISH
CHECKED BY: SAMI ALNADI
APPROVED BY: HISHAM ODISH
DATE: 06/27/06
DATE: 7/25/06
DATE: 7/25/06

DRAWING TITLE: Low Prof Gender changer, DB25 Pin Female/Female, RoHS
SIZE: A
DWG. NO.: SPC19776
ELECTRONIC FILE: 84K8540.DWG
REV: A
SCALE: NTS
U.O.M.: mm [INCHES]
SHEET: 1 OF 1