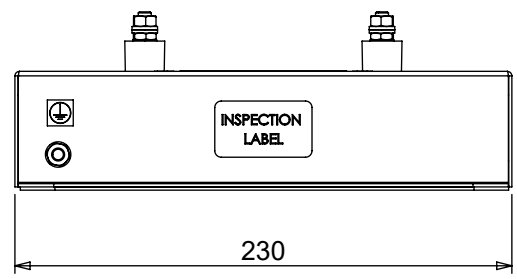
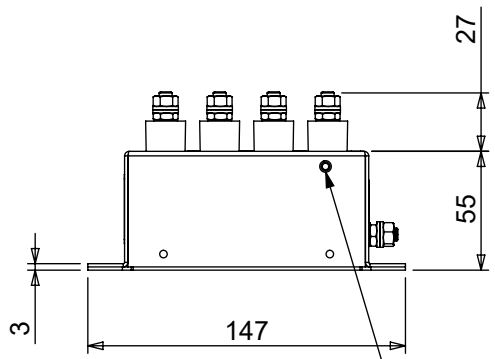
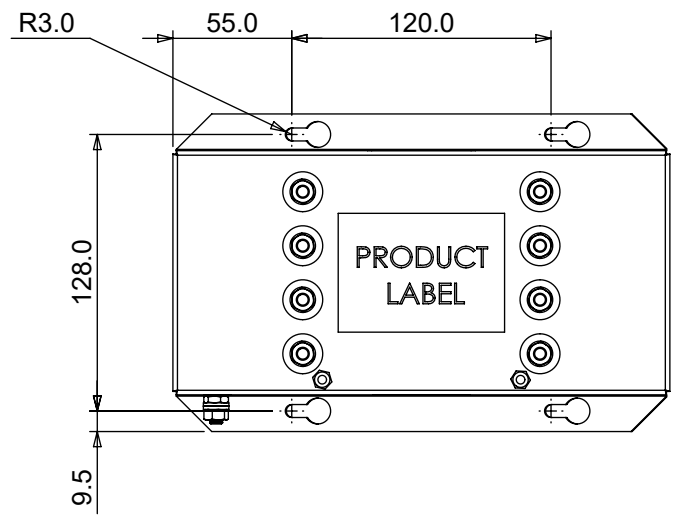
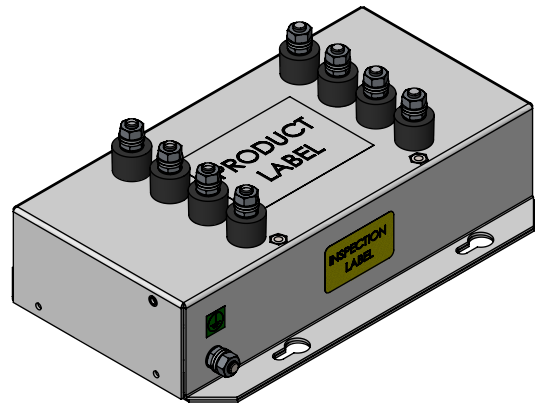


IHF450	
AKA	n/a
Device	rfi filter
Current	50A 40°C
Earthing	M6x13 stud 4Nm
Enclosure	aluminium 1.2mm
Loss	2.5W/ph
Leakage	1.9mA operating
Mass	2.7kg
Mounting	M5 2Nm
PCB	FR4 AVL2 VW-1 600V 105°C IIIa
Potting	resin
Power	41.5kW (12kW)
Protection	IP00
Resistance	1mR/ph
Residual	110V 5s
SCCR	10kA when fused
Style	stud filter
Terminal	M6 stud 4Nm
Varistor	n/a
Supply	3PN 480V 50/60Hz
Voltage	528V max
Withstand	2100Vdc 60s
Altitude	2000m w/out derating
Bonding	25A 50/60Hz
Class	class I
Environment	-25/+85/21
Flammability	UL94 V-2 min
Humidity	93% RH non-condensing
Insulation	500Vdc ≥3.5MR
Material	group IIIB
MTBF	22yrs (MIL-HDBK-217F)
Overload	135% 2hrs 150% 60s
Overvoltage	category II
Packaging	ASTM D7386
Pollution	degree II
Shock	15g 11mS
Spacing	≥50mm from ventilated surfaces
Vibration	5-55Hz 350um 55-500Hz 2G
EU	CE EN60939
US	n/a
CAN	n/a
OTHER	n/a



Fixing for surge arrester (VSU4W)

+44(0)1724 273200 www.dem-uk.com

PROPRIETARY AND CONFIDENTIAL:

THE INFORMATION CONTAINED IN THIS DRAWING IS THE SOLE PROPERTY OF ALPHA 3 MANUFACTURING. ANY REPRODUCTION IN PART OR AS A WHOLE WITHOUT THE WRITTEN PERMISSION OF ALPHA 3 MANUFACTURING IS PROHIBITED.

DEM Manufacturing is a division of Alpha 3 Manufacturing LTD
 DEM Manufacturing, Deltron Emcon House, Hargreaves Way,
 Sawcliffe Ind. Park, Scunthorpe, North Lincolnshire, DN15 8RF, UK

UNLESS OTHERWISE SPECIFIED DIMENSIONS ARE IN MILLIMETRES

LINEAR & RADIAL TOLERANCE:
NO DECIMAL PLACES ±0.5mm
1 DECIMAL PLACE ±0.25mm
2 DECIMAL PLACES ±0.125mm
ANGULAR TOLERANCE: ±1°

IF IN DOUBT ASK! DO NOT SCALE DRAWING!

FINISH	-
MATERIAL	-

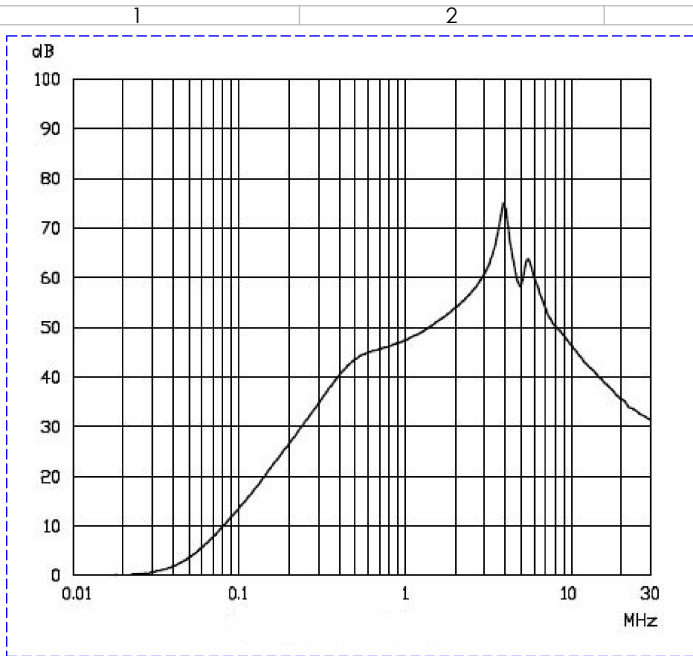
THE FINISHED PRODUCT SHOULD BE CLEAN AND FREE FROM ALL LIQUIDS AND DEBRIS. SURFACES SHOULD BE OF UNIFORM APPEARANCE FREE FROM SHARP EDGES, BURRS AND CORROSION

AUTHOR	SW
EDITOR	SW
APPROVER	SW

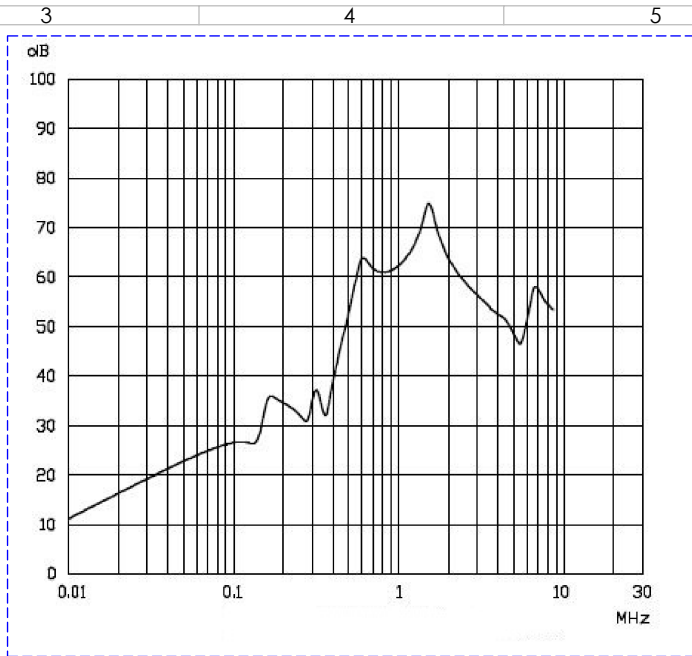
THIRD ANGLE PROJECTION

SHEET 1 OF 2	SCALE 1:5
A4	

TITLE	SPECIFICATION	
FILE	IHF450	
PART	IHF450	
ISSUE/REV.	005	RELEASED
EDIT DATE	24/01/2020	
RELEASE DATE	24/01/2020	



A1: 50/50Ω ASYMMETRICAL (COMMON)



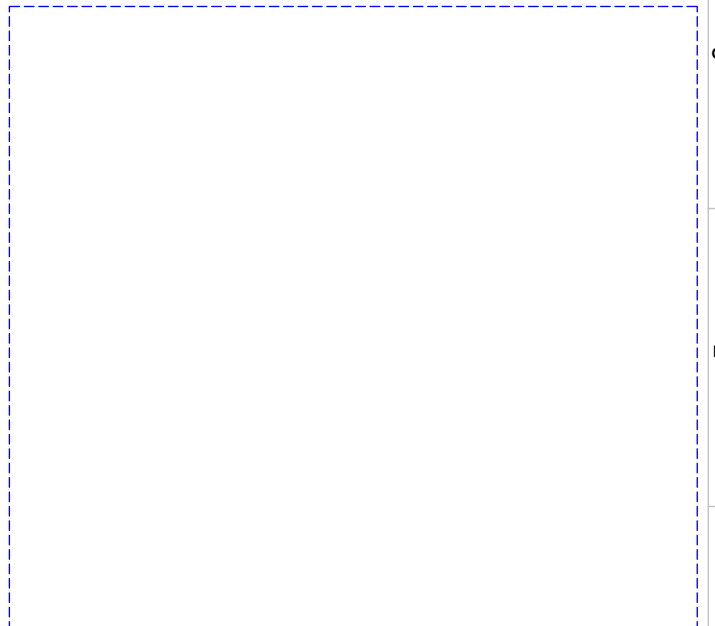
A2: 50/50Ω SYMMETRICAL (DIFFERENTIAL)



B: 50/50Ω ASYMMETRICAL (COMMON) LINE Y-CAP/CLIP REMOVED



C: 50/50Ω ASYMMETRICAL (COMMON) LOAD Y-CAP/CLIP REMOVED



D: 50/50Ω ASYMMETRICAL (COMMON) Y-CAPS/CLIPS REMOVED