



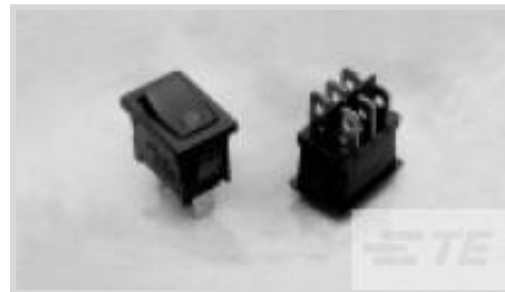
Alcoswitch

TE Internal #: 1571094-4

Rocker Switches, High Power, Panel Rocker Switch Mounting Type, None Indicator/Imprint Legend, Panel Cutout Size .545 x 1.086 in [13.8 x 27.6 mm]

[View on TE.com >](#)

Relays, Contactors & Switches > Switches > Rocker Switches



Rocker Switch Type: **High Power**

Rocker Switch Mounting Type: **Panel**

Indicator/Imprint Legend: **None**

Panel Cutout Size: **13.8 x 27.6 mm [ .545 x 1.086 in ]**

Switch Contact Plating Material: **Silver**

**Features**

**Product Type Features**

Product Type	Switch
Rocker Switch Type	High Power
Lamp	Without
Rocker Switch LED	Without
Actuator Type	Top
Actuator Style	Rocker

**Configuration Features**

Indicator/Imprint Legend	None
Panel Cutout Size	13.8 x 27.6 mm [.545 x 1.086 in]
Configuration (Pole-Throw)	Single Pole - Double Throw
Operating Function	On Off On

**Electrical Characteristics**

Rocker Switch Voltage Rating	125 VAC
------------------------------	---------

**Body Features**

Beveled Frame Color	Black
Actuator Color	Black

**Contact Features**

Terminal Tab Width	6.35 mm [.24 in]
--------------------	------------------



Switch Contact Plating Material	Silver
---------------------------------	--------

Rocker Switch Contact Current Rating	16 A
--------------------------------------	------

### Termination Features

Termination Type	Quick Connect
------------------	---------------

### Mechanical Attachment

Mounting Angle	Vertical
----------------	----------

Rocker Switch Mounting Type	Panel
-----------------------------	-------

### Housing Features

Process Sealed	No
----------------	----

### Industry Standards

UL Listed	File No. E46765
-----------	-----------------

VDE Tested	Yes
------------	-----

## Product Compliance

[For compliance documentation, visit the product page on TE.com>](#)

EU RoHS Directive 2011/65/EU	Not Yet Reviewed
------------------------------	------------------

EU ELV Directive 2000/53/EC	Compliant
-----------------------------	-----------

China RoHS 2 Directive MIIT Order No 32, 2016	No Restricted Materials Above Threshold
---	---

EU REACH Regulation (EC) No. 1907/2006	Current ECHA Candidate List: JAN 2021 (211) Candidate List Declared Against: DEC 2014 (161) SVHC > Threshold: Not Yet Reviewed
--	---

Halogen Content	Not Yet Reviewed for halogen content
-----------------	--------------------------------------

Solder Process Capability	Not applicable for solder process capability
---------------------------	--

#### Product Compliance Disclaimer

This information is provided based on reasonable inquiry of our suppliers and represents our current actual knowledge based on the information they provided. This information is subject to change. The part numbers that TE has identified as EU RoHS compliant have a maximum concentration of 0.1% by weight in homogenous materials for lead, hexavalent chromium, mercury, PBB, PBDE, DBP, BBP, DEHP, DIBP, and 0.01% for cadmium, or qualify for an exemption to these limits as defined in the Annexes of Directive 2011/65/EU (RoHS2). Finished electrical and electronic equipment products will be CE marked as required by Directive 2011/65/EU. Components may not be CE marked. Additionally, the part numbers that TE has identified as EU ELV compliant have a maximum concentration of 0.1% by weight in homogenous materials for lead, hexavalent chromium, and mercury, and 0.01% for cadmium, or qualify for an exemption to these limits as defined in the Annexes of Directive 2000/53/EC (ELV). Regarding the REACH Regulations, TE's information on SVHC in articles for this part number is still based on the European Chemical Agency (ECHA) 'Guidance on requirements for substances in articles' (Version: 2, April 2011), applying the 0.1% weight on weight concentration threshold at the finished product level. TE is aware of the European Court of Justice ruling of September 10th, 2015 also known as O5A (Once An Article Always An Article) stating that, in case of 'complex object', the threshold for a SVHC must be applied to both the

product as a whole and simultaneously to each of the articles forming part of its composition. TE has evaluated this ruling based on the new ECHA "Guidance on requirements for substances in articles" (June 2017, version 4.0) and will be updating its statements accordingly.

## Compatible Parts



TE Part # 1571091-1  
PRBSA1-16F-BB000=POWER ROCKER



TE Part # 1571091-2  
PRBSA1-16F-BB0BW=POWER ROCKER



TE Part # 1571091-3  
PRBSA1-16F-BB0CW=POWER ROCKER



TE Part # 1571091-9  
PRBSA1-16F-BB0HW=POWER ROCKER



TE Part # 1-1571091-1  
PRBSA1-16F-BW000=POWER ROCKER

## Customers Also Bought



TE Part #2-6609028-3  
CORCOM K SERIES SINGLE PHASE FILTERS



TE Part #3-1630012-2  
Power Resistors: Aluminum Housed, HSA



TE Part #3-640428-7  
07P MTA156 CONN ASSY 22AWG RED



TE Part #104313-1  
010 LOPRO HDR SP 30DP LATCH



TE Part #323868  
TERMINAL,SOLIS R 3/0 1/4



TE Part #2-1761713-7  
IDC LOW PRO HDR 20P VERT SHT L



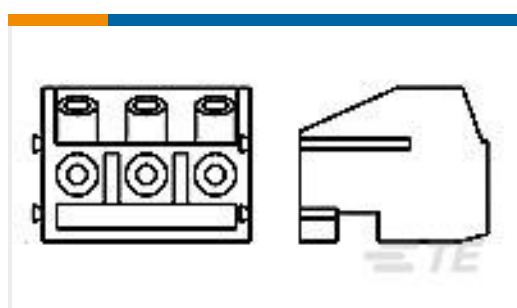
TE Part #8-640923-1  
RECEPT,PIDG FASTON 22-18 110



TE Part #1676216-2  
RN 0805 19K1 0.1% 10PPM 1KRL



TE Part #2-34837-4  
TERMINAL,PG R 12-10 1/2



TE Part #1776263-2  
Term Blk, 90 degree, stacking

## Documents

### Product Drawings

[PRBSD3-16F-BB000,POWER ROCKER](#)

English

### Datasheets & Catalog Pages

[1654742\\_HOUSEHOLD\\_APPLIANCES\\_RAST5](#)

English