



NECTOR | NECTOR S

TE Internal #: 293313-5

NECTOR S, Plug & Socket Lighting Connectors, Cable-to-Board, 2 Position, Printed Circuit Board, Outlet, Contacts Preloaded, Operating Voltage 42 VDC

[View on TE.com >](#)

Connectors > Lighting Connectors > Plug & Socket Connectors



Connector System: **Cable-to-Board**

Number of Positions: **2**

Sealable: **No**

Connector & Contact Terminates To: **Printed Circuit Board**

Lighting Connector Style: **Outlet**

**Features**

**Product Type Features**

Product Type	Connector
Connector System	Cable-to-Board
Sealable	No
Connector & Contact Terminates To	Printed Circuit Board
Lighting Connector Style	Outlet

**Configuration Features**

Keying Arrangement	LV-2
Number of Positions	2
Contacts Preloaded	Yes

**Electrical Characteristics**

Operating Voltage	42 VDC
-------------------	--------

**Contact Features**

Contact Type	Pin
--------------	-----

**Mechanical Attachment**

Mounting Angle	Straight
Connector Mounting Type	Board Mount

**Housing Features**

Housing Color	Yellow
---------------	--------



### Operation/Application

Circuit Application	Power
---------------------	-------

### Industry Standards

VDE Tested	Yes
------------	-----

### Packaging Features

Packaging Method	Bag
------------------	-----

### Product Compliance

[For compliance documentation, visit the product page on TE.com>](#)

EU RoHS Directive 2011/65/EU	Compliant
EU ELV Directive 2000/53/EC	Compliant
China RoHS 2 Directive MIIT Order No 32, 2016	No Restricted Materials Above Threshold
EU REACH Regulation (EC) No. 1907/2006	Current ECHA Candidate List: JAN 2021 (211) Candidate List Declared Against: JUN 2016 (169) SVHC > Threshold: Not Yet Reviewed
Halogen Content	Low Halogen - Br, Cl, F, I < 900 ppm per homogenous material. Also BFR/CFR/PVC Free
Solder Process Capability	Not applicable for solder process capability

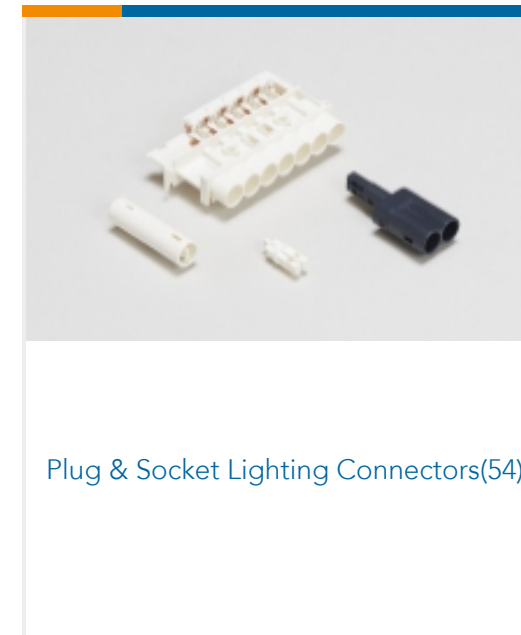
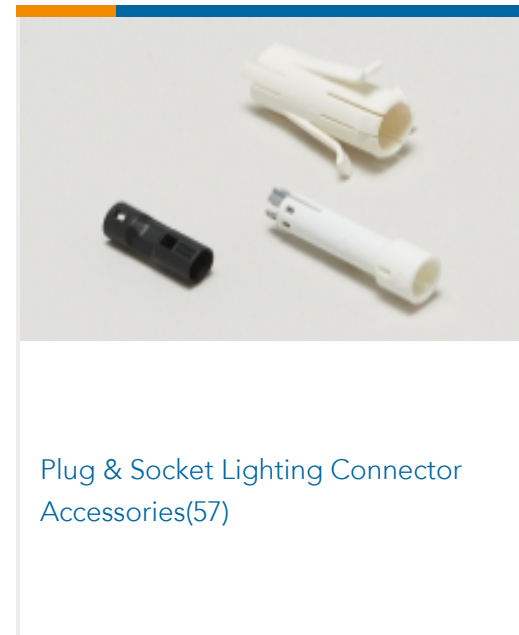
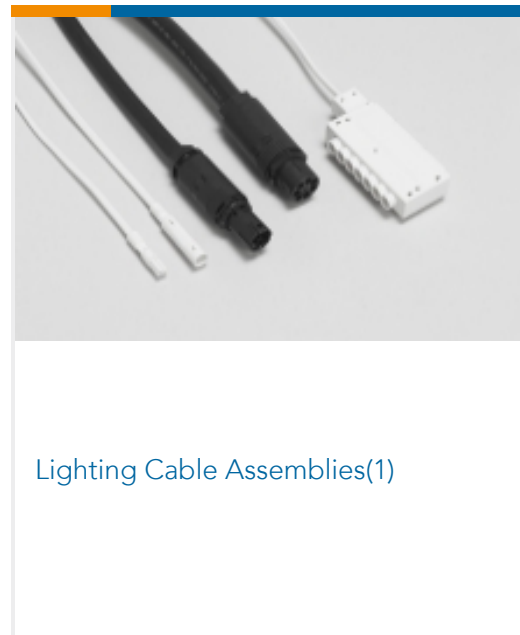
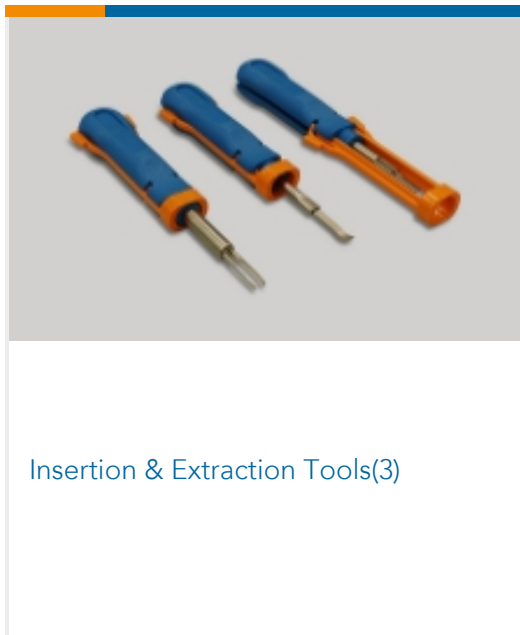
#### Product Compliance Disclaimer

This information is provided based on reasonable inquiry of our suppliers and represents our current actual knowledge based on the information they provided. This information is subject to change. The part numbers that TE has identified as EU RoHS compliant have a maximum concentration of 0.1% by weight in homogenous materials for lead, hexavalent chromium, mercury, PBB, PBDE, DBP, BBP, DEHP, DIBP, and 0.01% for cadmium, or qualify for an exemption to these limits as defined in the Annexes of Directive 2011/65/EU (RoHS2). Finished electrical and electronic equipment products will be CE marked as required by Directive 2011/65/EU. Components may not be CE marked. Additionally, the part numbers that TE has identified as EU ELV compliant have a maximum concentration of 0.1% by weight in homogenous materials for lead, hexavalent chromium, and mercury, and 0.01% for cadmium, or qualify for an exemption to these limits as defined in the Annexes of Directive 2000/53/EC (ELV). Regarding the REACH Regulations, TE's information on SVHC in articles for this part number is still based on the European Chemical Agency (ECHA) 'Guidance on requirements for substances in articles' (Version: 2, April 2011), applying the 0.1% weight on weight concentration threshold at the finished product level. TE is aware of the European Court of Justice ruling of September 10th, 2015 also known as O5A (Once An Article Always An Article) stating that, in case of 'complex object', the threshold for a SVHC must be applied to both the product as a whole and simultaneously to each of the articles forming part of its composition. TE has evaluated this ruling based on the new ECHA "Guidance on requirements for substances in articles" (June 2017, version 4.0) and will be updating its statements accordingly.

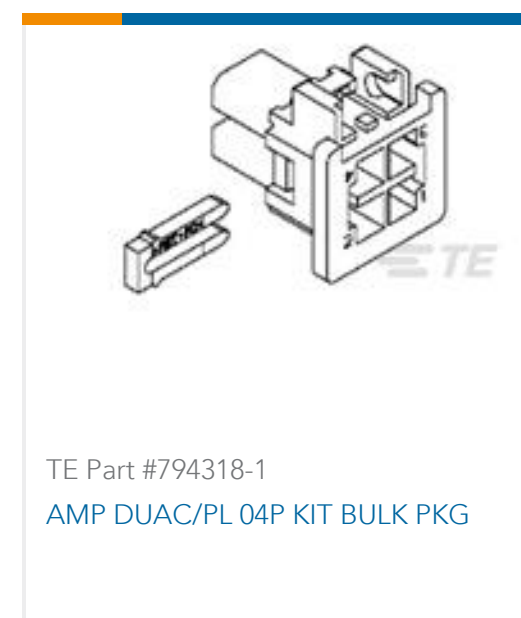
### Compatible Parts



Also in the Series | **NECTOR S**



Customers Also Bought





## Documents

### Product Drawings

[NECTOR S PCB CONN. ASSY STR OUTLET](#)

English

---

### CAD Files

[3D PDF](#)

3D

Customer View Model

[ENG\\_CVM\\_CVM\\_293313-5\\_F.2d\\_dxf.zip](#)

English

Customer View Model

[ENG\\_CVM\\_CVM\\_293313-5\\_F.3d\\_igs.zip](#)

English

Customer View Model

[ENG\\_CVM\\_CVM\\_293313-5\\_F.3d\\_stp.zip](#)

English

By downloading the CAD file I accept and agree to the [Terms and Conditions](#) of use.

---

### Datasheets & Catalog Pages

[NECTOR\\_S\\_LINE\\_CONNECTOR\\_BROCHURE](#)

English

---

### Product Specifications

[Application Specification](#)

English