

# CPF0402B1K3E ✓ ACTIVE

TE Internal #: 5-1879061-4

Surface Mount Resistors, Precision Resistor, 2 Termination, 0402,  
Tape & Reel, .1 %, Thin Film, Resistance Class 1k $\Omega$  – 1M $\Omega$ , 1.3K  $\Omega$ , .  
063 W,  $\pm 25$  ppm/ $^{\circ}$ C

[View on TE.com >](#)



Passive Components > Resistors > Surface Mount Resistors



Resistor Type: **Precision Resistor**

Number of Terminations: **2**

Package Size Code: **0402**

Packaging Method: **Tape & Reel**

Passive Component Tolerance: **.1 %**

## Features

### Product Type Features

Product Type	Fixed Resistor
Resistor Type	Precision Resistor
Package Size Code	0402
Element Type	Thin Film

### Configuration Features

Number of Resistors	1
---------------------	---

### Electrical Characteristics

Voltage Rating	25 V
Passive Component Tolerance	.1 %
Resistance Class	1k $\Omega$ – 1M $\Omega$
Resistance Value	1.3K $\Omega$
Power Rating	.063 W

### Termination Features

Number of Terminations	2
------------------------	---



Surface Mount Resistor Termination Type Solder

**Dimensions**

Passive Component Dimensions 1 x .5 x .3 mm

**Usage Conditions**

Operating Temperature Range -55 – 155 °C

Temperature Coefficient ±25 ppm/°C

**Packaging Features**

Packaging Method Tape & Reel

**Product Compliance**

[For compliance documentation, visit the product page on TE.com>](#)

EU RoHS Directive 2011/65/EU Compliant

EU ELV Directive 2000/53/EC Compliant

China RoHS 2 Directive MIIT Order No 32, 2016 No Restricted Materials Above Threshold

EU REACH Regulation (EC) No. 1907/2006  
 Current ECHA Candidate List: JUNE 2022 (224)  
 Candidate List Declared Against: JAN 2022 (223)  
 Does not contain REACH SVHC

Halogen Content Low Halogen - Br, Cl, F, I < 900 ppm per homogenous material. Also BFR/CFR/PVC Free

Solder Process Capability Reflow solder capable to 260°C

Product Compliance Disclaimer

This information is provided based on reasonable inquiry of our suppliers and represents our current actual knowledge based on the information they provided. This information is subject to change. The part numbers that TE has identified as EU RoHS compliant have a maximum concentration of 0.1% by weight in homogenous materials for lead, hexavalent chromium, mercury, PBB, PBDE, DBP, BBP, DEHP, DIBP, and 0.01% for cadmium, or qualify for an exemption to these limits as defined in the Annexes of Directive 2011/65/EU (RoHS2). Finished electrical and electronic equipment products will be CE marked as required by Directive 2011/65/EU. Components may not be CE marked. Additionally, the part numbers that TE has identified as EU ELV compliant have a maximum concentration of 0.1% by weight in homogenous materials for lead, hexavalent chromium, and mercury, and 0.01% for cadmium, or qualify for an exemption to these limits as defined in the Annexes of Directive 2000/53/EC (ELV). Regarding the REACH Regulation, the information TE provides on SVHC in articles for this part number is based on the latest European Chemicals Agency (ECHA) 'Guidance on requirements for substances in articles' posted at this URL: <https://echa.europa.eu/guidance-documents/guidance-on-reach>

**Compatible Parts**



TE Part # 1879061-6  
CPF 0402 13R 0.1% 25PPM 5K RL



TE Part # 3-1879061-1  
CPF 0402 150R 0.1% 25PPM 5K RL



TE Part # 5-1879061-2  
CPF 0402 1K1 0.1% 25PPM 5K RL



TE Part # 3-1879061-5  
CPF 0402 220R 0.1% 25PPM 5K RL



TE Part # 4-1879061-7  
CPF 0402 680R 0.1% 25PPM 5K RL



TE Part # 2-1879061-4  
CPF 0402 75R 0.1% 25PPM 5K RL

## Customers Also Bought



TE Part #DT04-2P  
DEUTSCH DT Series Housings & Connectors



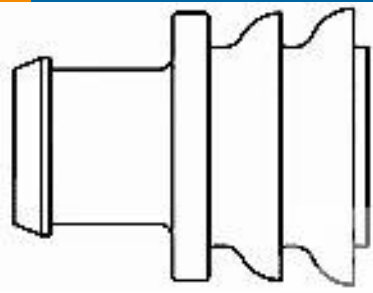
TE Part #W2S  
DEUTSCH DT WEDGELOCKS



TE Part #282104-1  
AMP SUPERSEAL 1.5MM, CONNECTOR HOUSING



TE Part #206070-8  
CABLE CLAMP KIT #17



TE Part #281934-2  
SINGLE WIRE SEAL



TE Part #0460-202-16141  
DEUTSCH SOLID CONTACTS

## Documents

### Product Drawings

CPF 0402 1K3 0.1% 25PPM 5K RL

English

### Datasheets & Catalog Pages

CPF-1016

English