



- **Pressure clamp connectors**
- **Dynamic heating up**
- **Wide voltage range**
- **Temperature limiting**
- **Energy saving**
- **Clip fixing**
- **Quick installation**

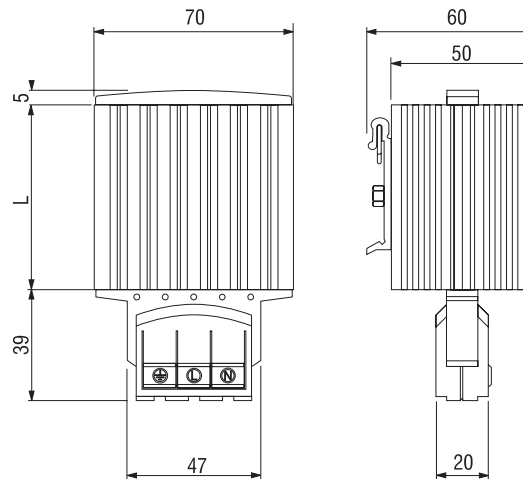
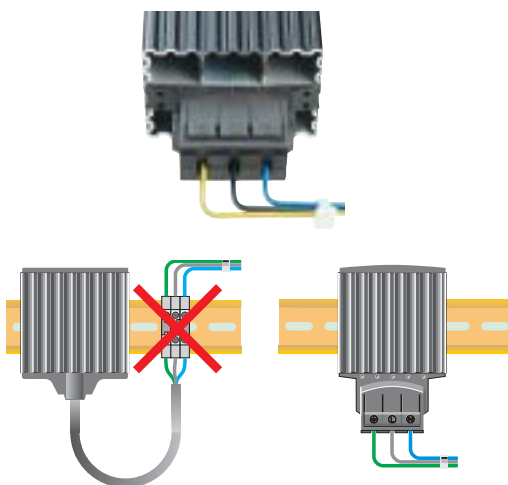
These heaters are used in enclosures where damage from condensation must be prevented, or where the temperature may not fall below a minimum value. The aluminium profile heater body design has a chimney effect and distributes the heat evenly. The pressure clamp connectors save time and simplify installation.



### Technical Data

<b>Operating voltage</b>	120-250V AC/DC*
<b>Heating element</b>	PTC resistor, self regulating and temperature limiting
<b>Heater body</b>	extruded aluminium profile, anodised
<b>Connection</b>	3 pressure clamps for stranded wire 0.5-1.5mm <sup>2</sup> (with wire end ferrule) and rigid wire 0.5-2.5mm <sup>2</sup>
<b>Connection casing</b>	plastic according to UL94 V-0, black
<b>Mounting</b>	clip for 35mm DIN rail, EN 50022
<b>Fitting position</b>	vertical
<b>Operating/Storage temperature</b>	-45 to +70°C (-49 to +158°F)
<b>Protection type / Protection class</b>	IP20 / I (earthed)
<b>Approvals</b>	VDE, UL File No. E150057
<b>Accessories</b>	screw fixing, Art. No. 09024.0-00 (1 packing unit = 2 pieces)

\*Operating with voltages below 140V AC/DC reduces heating performance by approx. 10%.



Art. No.	Heating capacity*	Inrush current max.	Length (L)	Weight (approx.)
14000.0-00	15W	1.5A	65mm	0.30kg
14001.0-00	30W	3.0A	65mm	0.30kg
14003.0-00	45W	3.5A	65mm	0.30kg
14005.0-00	60W	2.5A	140mm	0.40kg
14006.0-00	75W	4.0A	140mm	0.50kg
14007.0-00	100W	4.5A	140mm	0.50kg
14008.0-00	150W	9.0A	220mm	0.70kg

\*at 20°C (68°F) ambient temperature