

Product Data Sheet 6314 N/2HHP

**ebmpapst**

The engineer's choice



**6314 N/2HHP****INDEX**

<b>1</b>	<b>General</b> .....	<b>3</b>
<b>2</b>	<b>Mechanics</b> .....	<b>3</b>
2.1	General.....	3
2.2	Connections.....	3
<b>3</b>	<b>Operating Data</b> .....	<b>5</b>
3.1	Electrical Interface - Input.....	5
3.2	Electrical Operating Data .....	6
3.3	Electrical Interface - Output.....	7
3.4	Electrical Features .....	7
3.5	Aerodynamics.....	9
3.6	Sound Data.....	11
<b>4</b>	<b>Environment</b> .....	<b>11</b>
4.1	General.....	11
4.2	Climatic Requirements .....	11
<b>5</b>	<b>Safety</b> .....	<b>12</b>
5.1	Electrical Safety .....	12
5.2	Approval Tests.....	12
<b>6</b>	<b>Reliability</b> .....	<b>12</b>
6.1	General.....	12

**1 General**

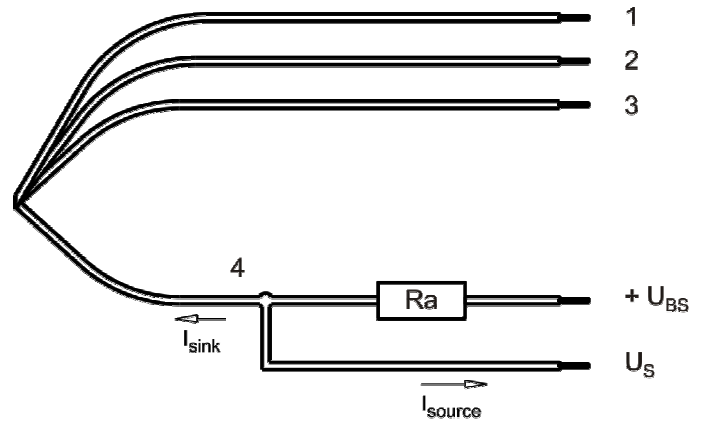
Fan type	Fan	
Rotating direction looking at rotor	Counterclockwise	
Airflow direction	Air outlet over struts	
Bearing system	Ball bearing	
Mounting position - shaft	Any	

**2 Mechanics****2.1 General**

Depth	51,0 mm	
Diameter	172,0 mm	
Mass	0,685 kg	
Housing material	Metal	
Impeller material	Plastic	
Max. torque when mounted across both mounting flanges Screw size	Wire outlet corner: 600 Ncm Remaining corners: 600 Ncm ISO 4762 - M4 degreased, without an additional brace and without washer	

**2.2 Connections**

Electrical connection	Wires	
Lead wire length	L = 365 mm	
Tolerance	+ - 10,0 mm	
Tube length	S = 10 mm	
Tolerance	+ - 5,0 mm	



Wire	Color	Operation	Wire size	Insulation diameter
1	red	+ UB	AWG 22	1,7 mm
2	blue	- GND	AWG 22	1,7 mm
3	violet	PWM	AWG 24	1,55 mm
4	white	Tacho	AWG 24	1,55 mm

The auxiliaries shown on the schematic diagram (which are required for the intended use) are not part of our delivery.

Lead wire 1 - 2: AWG22 (Insulation diameter 1,70 mm)  
 Lead wire 3 - 4: AWG24 (Insulation diameter 1,55 mm)

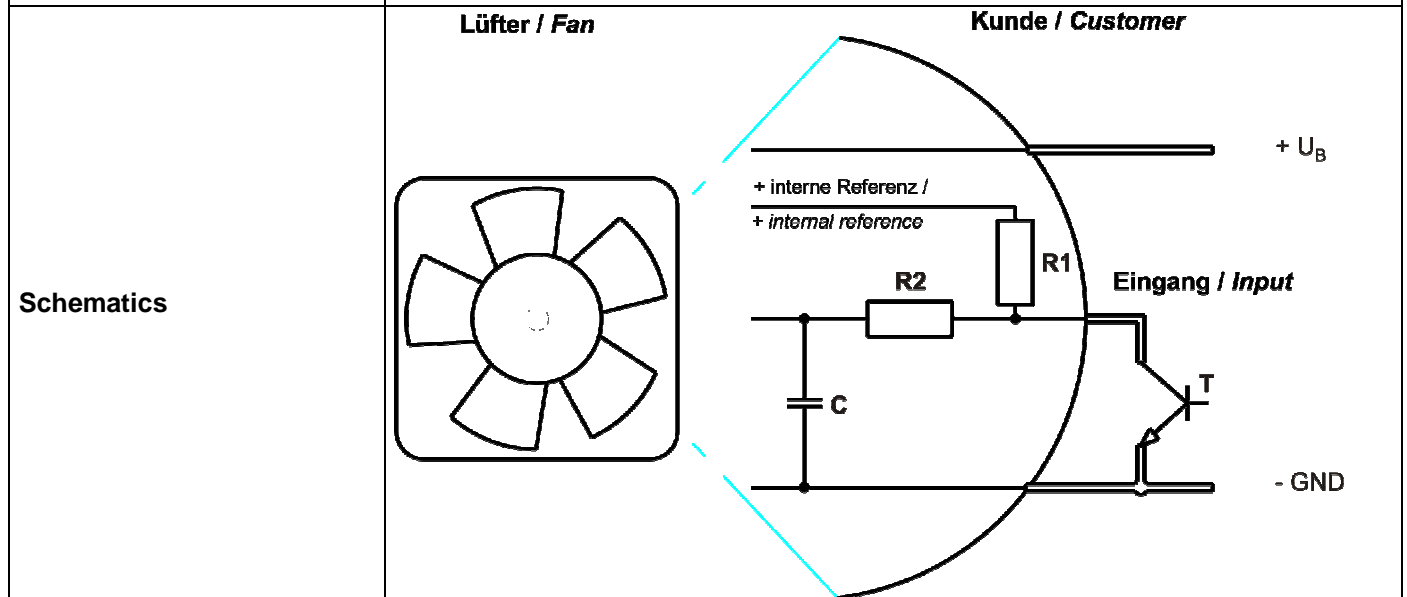
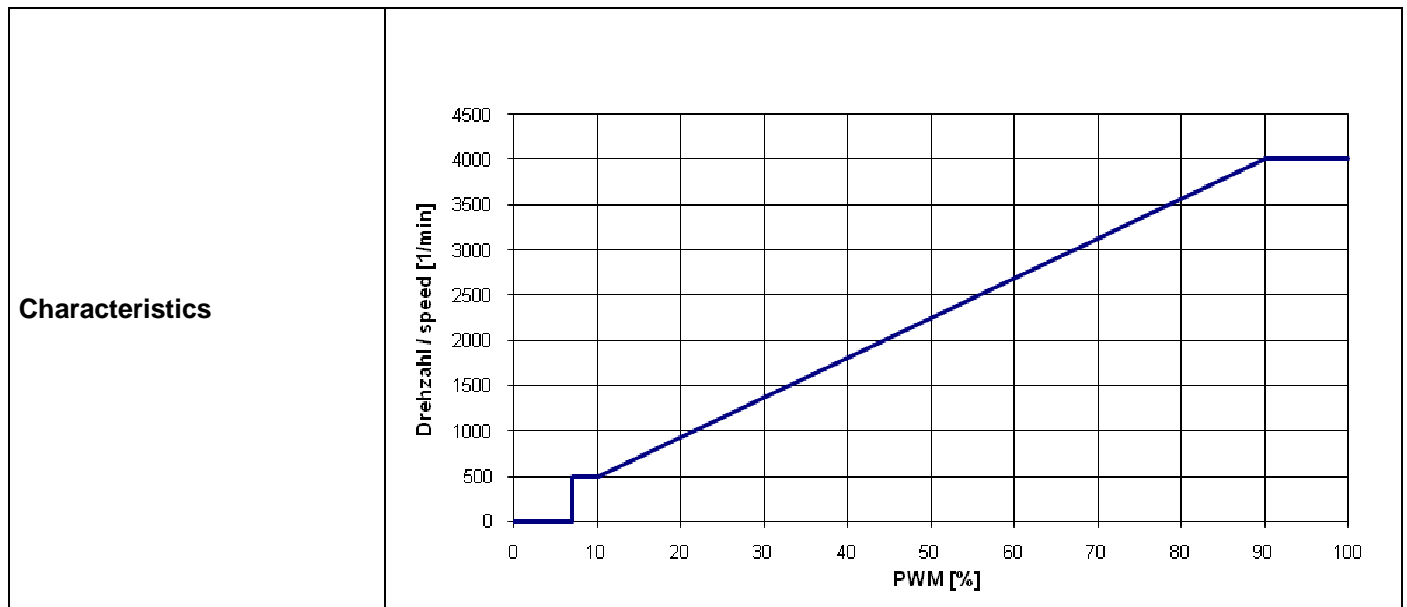
### 3 Operating Data

#### 3.1 Electrical Interface - Input

Control input	PWM
---------------	-----

#### Features

Input type	Open collector	
PWM - Frequency		1 kHz - 20 kHz typical: 2 kHz



The shown pull-up resistor to the internal reference voltage (+5V) has 4.7kOhm.

**Information to the curve:**

- 0% - <=7% PWM: 0 1/min (Fan off)
- 7% PWM: 500 1/min (Start-up, coming from 0% PWM)

7% - 10 % PWM: 500 1/min (corresp. to min fan speed)  
 10% - 90% PWM: Linear increasing curve  
 90% - 100% PWM: 4.000 1/min (corresp. to max fan speed)

### Transistor Requirements:

VCE max.  $\geq$  12V  
 Isink max  $>$  5mA  
 VCEsat  $<$  0,15V

### 3.2 Electrical Operating Data

Measurement conditions: Normal air density = 1,2 kg/m<sup>3</sup>; Temperature 23°C +/- 3°C; Motor axis horizontal; warm-up time before measuring 5 minutes (unless otherwise specified). In the intake and outlet area should not be any solid obstruction within 0,5 m.

$\Delta p = 0$ : corresp. to free air flow (see chapter aerodynamics)  
 I: corresp. to arithm. mean current value

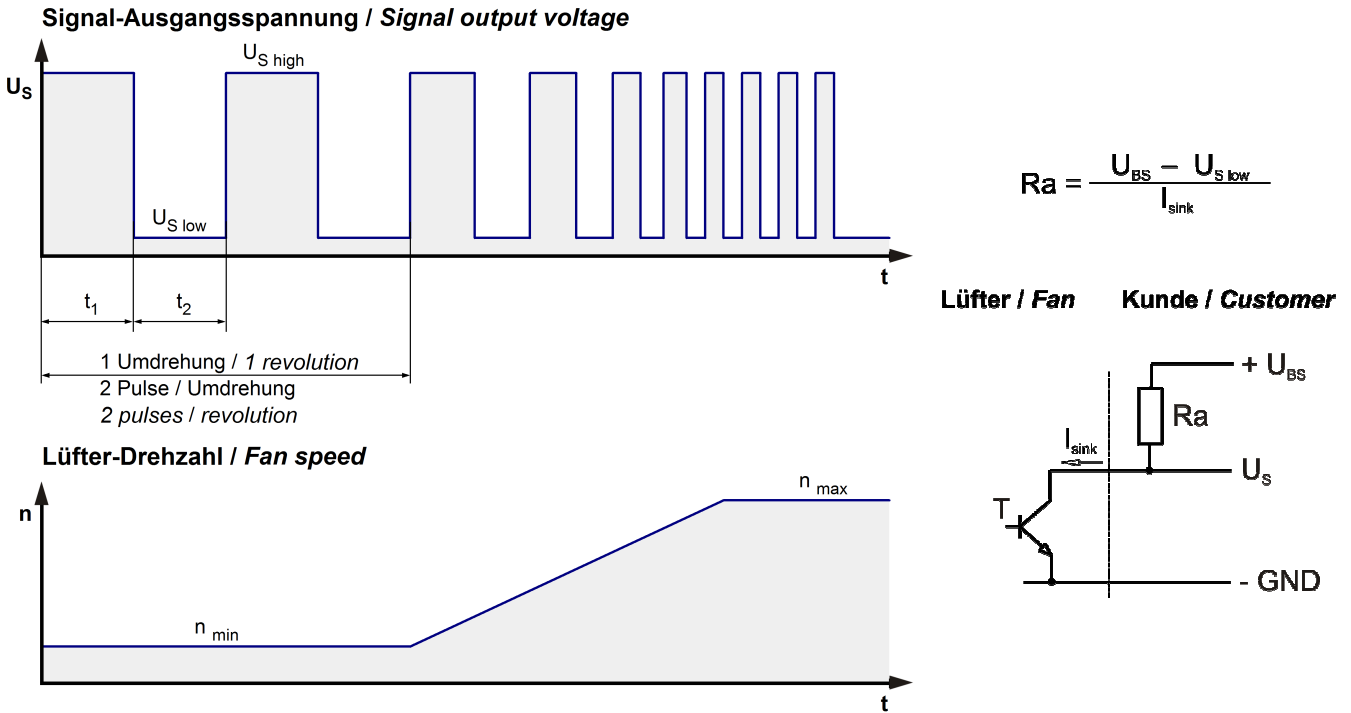
Name	Condition
PWM 0001	PWM: 95 %; f: 2 kHz

**>90% PWM; f = 2 kHz or broken lead wire (open control input)**

Features	Condition	Symbol	Values		
Voltage range		U	16 V		32,0 V
Nominal voltage		U <sub>N</sub>		24,0 V	
Power consumption	$\Delta p = 0$	P	16 W	32 W	29 W
Tolerance	PWM 0010		+/- 10 %	+/- 10 %	+/- 10 %
Current consumption	$\Delta p = 0$	I	1.000 mA	1.300 mA	900 mA
Tolerance	PWM 0010		+/- 10 %	+/- 10 %	+/- 10 %
Speed	$\Delta p = 0$	n	3.000 1/min	4.000 1/min	3.900 1/min
Tolerance	PWM 0010		+/- 10 %	+/- 5 %	+/- 5 %

### 3.3 Electrical Interface - Output

Tacho type	/2 (open collector)
------------	---------------------

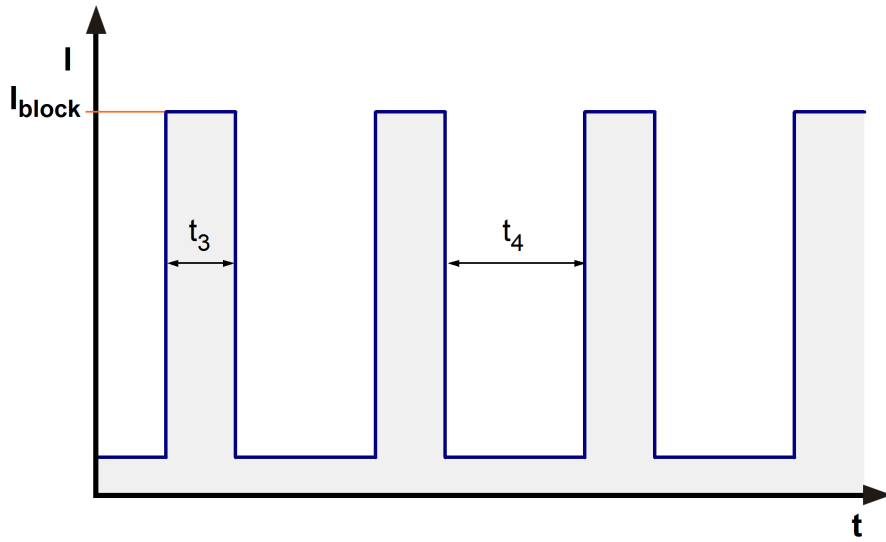


Features	Note	Values
Tacho operating voltage	$U_{BS}$	$\leq 32\text{ V}$
Tacho signal Low	$U_{S\ low}$	$\leq 0,4\text{ V}$
Tacho signal High	$U_{S\ high}$	$32\text{ V}$
Maximum sink current	$I_{sink}$	$\leq 20\text{ mA}$
External resistor	External resistor $R_a$ from $U_{BS}$ to $U_S$ required. All voltages measured to GND.	
Tacho frequency	$(2 \times n) / 60$	$133\text{ Hz}$
Tacho isolated from motor	No	
Slew rate		$\Rightarrow 0,5\text{ V/us}$

$n$  = revolutions per minute (1/min)

### 3.4 Electrical Features

Electronic function	Speed-Controlled	
Reversed polarity protection	Rectifying diode	
Max. residual current at $U_N$	$I_F \leq 5\text{ mA}$	
Locked rotor protection	Auto restart	
Locked rotor current at $U_N$	$I_{block}$ approx. $600\text{ mA}$	
Clock signal at locked rotor	$t_3 / t_4$ typical: $0,5\text{ s} / 10,0\text{ s}$	



This fan has a startup delay of 2,2 seconds after applying supply voltage.

Internal Fuse: Littelfuse Nano2 Fuse Very Fast-Acting 451/453 Series 4A / 75V



### 3.5 Aerodynamics

Measurement conditions:

Measured with a double chamber intake rig acc. to DIN EN ISO 5801.

Normal air density = 1,2 kg/m<sup>3</sup>; Temperature 23°C +/- 3°C;

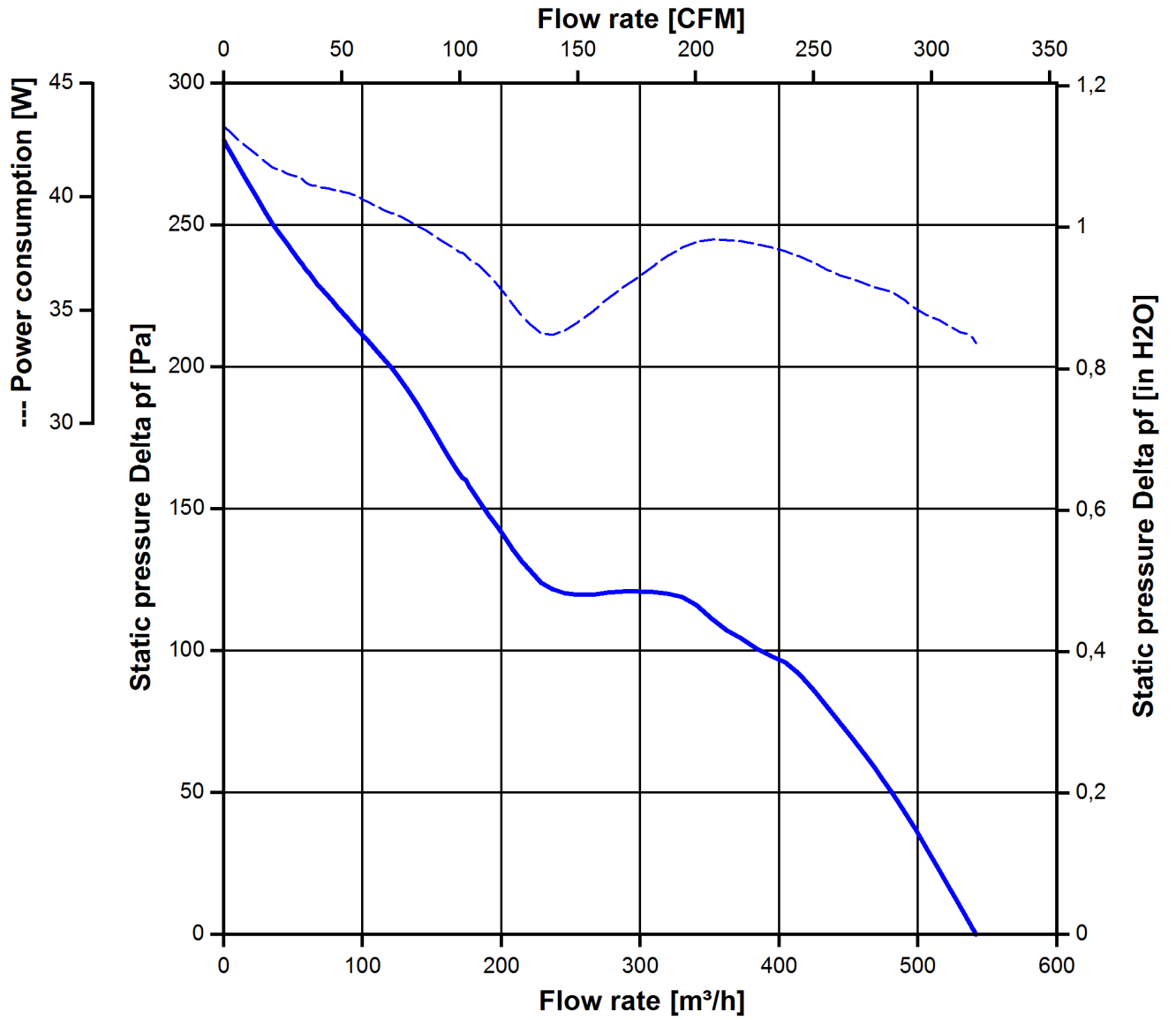
In the intake and outlet area should not be any solid obstruction within 0,5 m. Motor shaft horizontal.

The information is only valid under the specified test conditions and may be changed by the installation conditions. If there are deviations from the standard test conditions, the characteristic values must be checked under the installed conditions. Power consumption of the fan motor when operating at normal voltage is shown. Depending on the operating conditions of the application, the power input may be higher.

a.) Operation condition:

4.000 1/min at free air flow	PWM 95 %; f: 2 kHz		
------------------------------	--------------------	--	--

Max. free-air flow ( $\Delta p = 0 / \dot{V} = \text{max.}$ )	540 m <sup>3</sup> /h	
Max. static pressure ( $\Delta p = \text{max.} / \dot{V} = 0$ )	280 Pa	



### 3.6 Sound Data

Measurement conditions: Sound pressure level: 1 meter distance between microphone and the air intake.  
 Sound power level: Acc. to DIN 45635 part 38 (ISO 10302)  
 Measured in a semianchoic chamber with a background noise level of  $L_p(A) < 5 \text{ dB(A)}$   
 For further measurement conditions see chapter aerodynamics.

a.) Operation condition:

4.000 1/min at free air flow	PWM 95 %; f: 2 kHz		
------------------------------	--------------------	--	--

Optimal operating point	380 m <sup>3</sup> /h @ 102 Pa	
Sound power level at the optimal operating point	6,6 bel(A)	
Sound pressure level at free air flow, measured in rubber bands	60 dB(A)	

## 4 Environment

### 4.1 General

Min. permitted ambient temperature TU min.	-20 °C	
Max. permitted ambient temperature TU max.	70 °C	
Min. permitted storage temperature TL min.	-40 °C	
Max. permitted storage temperature TL max.	80 °C	

### 4.2 Climatic Requirements

Humidity requirements	humid heat, constant; according to DIN EN 60068-2-78, 14 days	
Water exposure	None	
Dust requirements	None	
Salt fog requirements	None	

Permitted application area:

The product is intended for use in sheltered rooms with controlled temperature and controlled humidity. Directly exposure to water must be avoided.

Pollution degree 1 (according DIN EN 60664-1)

There is either no pollution or it occurs only dry, non-conductive pollution. The pollution has no negative impact.

Please require severity levels and specification parameters from the responsible development departments.

**5 Safety**

**5.1 Electrical Safety**

Dielectric strength DIN EN 60950 (VDE 0805) and DIN EN 60335 (VDE 0700) A.) Type test Measuring conditions: After 48h of storage at 95% R.H. and 25°C. No arcing or breakdown is allowed! All connections together to ground.	1000 VAC / 1 Min.	
B.) Routine test Measuring conditions: At indoor climate. No arcing or breakdown is allowed! All connections together to ground.	1700 VDC / 1 Sec.	
Isolation resistance Measuring conditions: After 48h of storage at 95% R.H. and 25°C measured with U=500 VDC for 1 min.	RI > 10 MOhm	
Clearance / creepage distance	1,0 mm / 1,5 mm	
Protection class	III	

**5.2 Approval Tests**

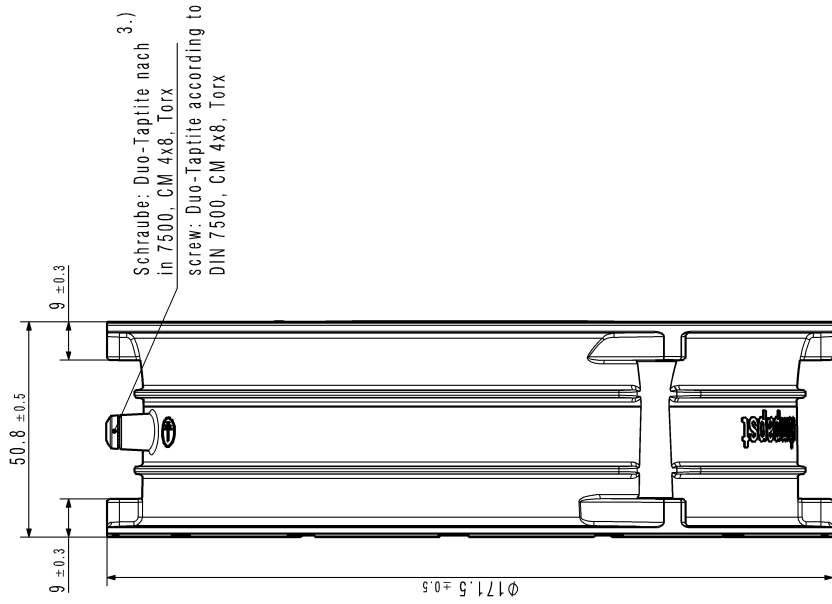
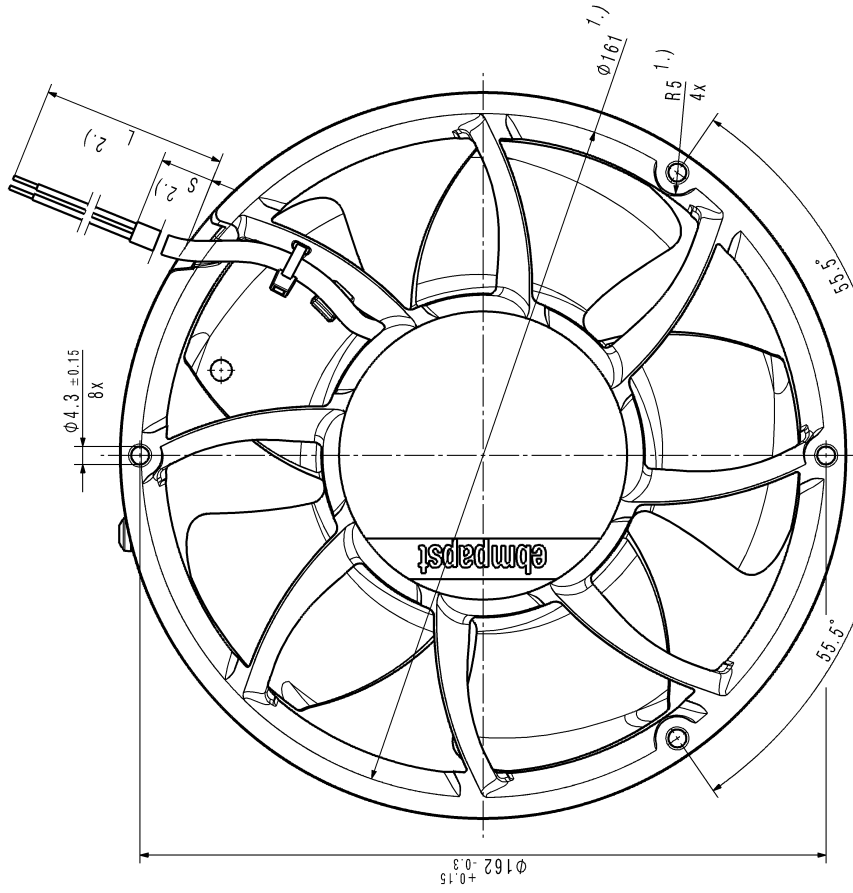
CE	EC Declaration of Conformity	Yes
EAC	Eurasian Conformity	Yes
UL	Underwriters Laboratories	Yes / UL507, Electric Fans
VDE	Association for Electrical, Electronic and Information Technologies	Yes / Approval acc. to EN 60950 (VDE 0805) - Information technology equipment
CSA	Canadian Standards Association	Yes / C22.2 No. 113 Fans and Ventilators
CCC	China Compulsory Certification	Not applicable

**6 Reliability**

**6.1 General**

Life expectancy L10 at TU = 40 °C	80.000 h	
Life expectancy L10 at TU max.	40.000 h	
Life expectancy L10 acc. to IPC 9591 at TU = 40 °C	135.000 h	

SHENZHEN HONOR DTM 150 1810 BUBBLER  
 Refer to production number DTM 150 1810 BUBBLER  
 Copying of this document, and giving it others and the use or communication of the contents thereof, are forbidden without express authority. Orders are liable to the patent of design. All rights are reserved  
 In the event of the grant of a patent or the registration of a utility model or design.



- 1.) Mabe aus Montageausschnitt
  - 2.) Anzahl und Länge der Litzen/Schlauch siehe Produktspezifikation
  - 3.) Erdungsschraube nur wenn in der Luftergehäuseteckliste enthalten
- Axialspiel der Kugellager mit Feder spielfrei; gelagert
- 1.) measures of mounting cut out
  - 2.) length an number of wires/tube see product specification
  - 3.) grounding screw only if contained in the fan housing part list
- ball bearing without clearance by a pre-load spring

Art. Nr. / Change No.	CAD System Version / CAD-System-Version	Hersteller / Material:	Volumen / (m <sup>3</sup> ): Gewicht / Mass (g):
DP-Referenzmodell / DP-Reference Model	CAD-Modell / CAD-Model	Artikel / Title:	
Datum	Name	Zeich. Nr. / Drawing No.	ERS. / ZÄH. / Replace:
Form / Form / Form / Form /	Form / Form / Form / Form /	Zeich. Nr. / Drawing No.	Form / Size:
Maßstab / Scale	Maßstab / Scale	Zeich. Nr. / Drawing No.	Maßstab / Scale
ebmpapst ebm-papst SE, Georgsmünde & Co. KG		Zeich. Nr. / Drawing No.	Zeich. Nr. / Drawing No.