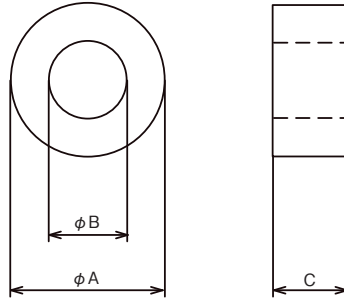




Non-split toroidal cores

Material

- Soft ferrite



Unit: mm

Part No.	$\phi A$	$\phi B$	C	Impedance* $\Omega/100\text{MHz}$ (1 turn)
GTR-7-3-4	7	3.5	4	$\cong 20$
GTR-9-5-8	9	5	8	$\cong 30$
GTR-10-5-5	10	5	5	$\cong 25$
GTR-11-5-9	11	5	9	$\cong 45$
GTR-12.5-8-12	12.6	8.1	12	$\cong 35$
GTR-13-7-6	13	7	6	$\cong 25$
GTR-13-7-12.7	13	7.1	12.7	$\cong 45$
GTR-14.5-10-8	14.5	10.2	8	$\cong 20$
GTR-16-8-13	16.5	8.2	13	$\cong 55$
GTR-16-8-16	16.5	8.2	16	$\cong 65$
GTR-16-10-7	16	10	7	$\cong 25$
GTR-16-10-10	16	10	10	$\cong 30$
GTR-18-10-6	18	10	6	$\cong 25$
GTR-20-10-5	20.5	10.2	5	$\cong 25$
GTR-20-10-10	20.5	10.2	10	$\cong 45$
GTR-21-13-6	21.2	12.7	6	$\cong 25$
GTR-22-14-10	22	14	10	$\cong 30$
GTR-23-11-14	23.6	11.4	14	$\cong 60$
GTR-25-15-8	25	15	8	$\cong 30$
GTR-25-15-12	25	15	12	$\cong 40$
GTR-28-16-13	28	16	13	$\cong 45$
GTR-28-16-20	28	16	20	$\cong 70$
GTR-31-19-8	31	19	8	$\cong 30$
GTR-31-19-16	31	19	16	$\cong 60$
GTR-40-27-15	40.6	27.4	15	$\cong 45$

\*Contact us for the measurement conditions.

Impedance vs frequency

FERRITE CORE PRODUCTS

High-frequency cores

Split ferrite clamp

Non split type

