



# KombiSIGN 50 – combine the diversity!


## Configurator



Audible element **849**




Permanent light **846**  
LED permanent,  
or blinking light **848**  
  
(max. 4 signal elements  
can be combined)




Terminal element for surface,  
tube, single hole and bracket  
mounting  
  
Order no.  
**845 000 00**



Bracket for  
wall mounting  
  
Order no.  
**975 845 02**



Base for surface  
mounting, incl.  
rubber seal  
  
Order no.  
**975 845 01**



Adapter  
for single hole  
mounting  
  
Order no.  
**975 845 03**

Tube Ø 25 mm, all anodized  
Order no.  
100 mm long **975 845 10**  
250 mm long **975 840 25**  
400 mm long **975 840 40**  
600 mm long **975 840 60**  
800 mm long **975 840 80**  
1000 mm long **975 840 03**




Base for Tube, plastic  
Order no.  
**975 840 90**



Base for Tube, metal  
Order no.  
**975 840 91**




Foldaway  
Base  
**NEW**  
Order no.  
**960 000 30**




Contact box for cable exit  
at side  
  
Order no.  
**975 840 01**



Contact box with magnetic  
base and cable exit at side  
  
Order no.  
**975 840 04**



Bracket for base mounting with  
concealed cable entry  
  
Order no.  
**960 000 14**



Bracket for  
tube mounting  
  
Order no.  
**960 000 01**



Base with tube (accessory)



Bracket (accessory)



Base mounting (accessory)

- Signal tower system 50 mm Ø with modular construction
- 360° visibility
- Choice of optical and audible elements
- Order of optical elements interchangeable as required
- Tool-free change of elements and bulbs

### **i** TECHNICAL SPECIFICATIONS:

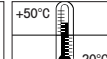
<b>Dimensions</b> (Diameter x Height):	Terminal element: 52 mm x 16 mm Light element: 52 mm x 65 mm Audible element: 52 mm x 72 mm
<b>Housing:</b>	Terminal element: PA fibreglass, high-impact Cap: PC
<b>Dome:</b>	PC, transparent Audible and ASI: PC/ABS-Blend
<b>Fixing:</b>	Base mounting Tube mounting, for tube Ø 25 mm Single hole mounting Bracket mounting
<b>Socket:</b>	Bayonet, B 15 d, for bulb max. 5 W
<b>Connection:</b>	Screwable connection max. 2.5 mm <sup>2</sup> Contact protection according to VDE
<b>Cable entry:</b>	Cable diameter max. 10.5 mm
<b>Protection rating:</b>	Light elements: IP 54 Audible elements: IP 54
<b>Number of modules possible:</b>	max. 4
<b>Permanent light element</b>	12 - 240 V <sub>~</sub> Bulb not included in assembly
<b>LED Permanent light element</b>	24 V <sub>~</sub> 115 V <sub>~</sub> 230 V <sub>~</sub> Current consumption: 45 mA    25 mA    25 mA Starting current: < 0.5 A at 24 V
<b>LED Blinking light element</b>	24 V <sub>~</sub> 115 V <sub>~</sub> 230 V <sub>~</sub> Current consumption: 25 mA    25 mA    25 mA Starting current: < 0.5 A at 24 V Blink frequency: c. 1 Hz    c. 1 Hz    c. 1 Hz

### **🏠** ACCESSORIES:

see page 73

### **📐** TECHNICAL DIAGRAMS:

see page 292





Permanent light element



LED element



Buzzer element

Terminal element  
with cap

## ORDER SPECIFICATIONS OPTICAL ELEMENTS:

<b>Permanent light</b>	12-240 V		
red	846 100 00		
green	846 200 00		
yellow	846 300 00		
clear	846 400 00		
blue	846 500 00		
<b>LED Permanent light</b>	24 V≈	115 V~	230 V~
red	848 100 55	848 100 67	848 100 68
green	848 200 55	848 200 67	848 200 68
yellow	848 300 55	848 300 67	848 300 68
clear	848 400 55	848 400 67	848 400 68
blue	848 500 55	848 500 67	848 500 68
<b>LED Blinking light</b>	24 V≈	115 V~	230 V~
red	848 110 75	848 110 67	848 110 68
green	848 210 75	848 210 67	848 210 68
yellow	848 310 75	848 310 67	848 310 68
clear	848 410 75	848 410 67	848 410 68
blue	848 510 75	848 510 67	848 510 68



## ORDER SPECIFICATIONS AUDIBLE ELEMENTS:

<b>Buzzer element</b>	24 V≈	115 V≈	230 V~
80 dB, max. 25 mA, IP 54, continuous or pulse tone, selectable	849 000 75	849 000 77	849 000 68



## ORDER SPECIFICATIONS TERMINAL ELEMENTS:

<b>Terminal element</b>	845 000 00
for base mounting, tube mounting, single hole and bracket mounting, including cap	



## TECHNICAL DIAGRAMS:

see page 292





## ORDER SPECIFICATIONS ACCESSORIES:

Contact box for cable exit at side, with mounting material	975 840 01
Contact box with magnetic base and cable exit at side	975 840 04
Bracket for tube mounting incl. cable gland	960 000 01
Bracket for base mounting with concealed cable entry, incl. rubber seals	960 000 14
Bracket for wall mounting	975 845 02
Tube Ø 25 mm, all anodized aluminium	
100 mm long	975 845 10
250 mm long	975 840 25
400 mm long	975 840 40
600 mm long	975 840 60
800 mm long	975 840 80
1000 mm long	975 840 03
<b>NEW</b> Foldaway Base incl. rubber seals, suitable for tube, Ø 25 mm, all anodized aluminium (Technical specifications see page 48)	960 000 30
Base for tube mounting Ø 25 mm, plastic, incl. rubber seal	975 840 90
Base for tube mounting Ø 25 mm, metal, incl. rubber seal	975 840 91
Base for surface mounting, incl. rubber seal	975 845 01
Adapter for single hole mounting M 18	975 845 03



## TECHNICAL DIAGRAMS:

see page 292





## ORDER SPECIFICATIONS:

## Indication Board

- Indication Board for one to five modules
- Simple mounting onto signal tower tube
- Ample space for written information
- Simply break off unwanted segments

Dimensions of indication board (W x H): 153 x 345 mm

Surface area per section (W x H): c. 140 x 50 mm

Material: PMMA

Assembly: Indication board (5 sections)  
incl. mounting material

Mounting: Fixing only possible on 25 mm diameter tube

Indication board **960 000 05**LED bulb BA 15d,  
Total length max. 42 mm

Voltage	24 V ≈	115 V ~	230 V ~
Current consumpt.	< 45 mA	< 15 mA	< 15 mA
red	<b>956 100 75</b>	<b>956 100 67</b>	<b>956 100 68</b>
green	<b>956 200 75</b>	<b>956 200 67</b>	<b>956 200 68</b>
yellow	<b>956 300 75</b>	<b>956 300 67</b>	<b>956 300 68</b>
white	<b>956 400 75</b>	<b>956 400 67</b>	<b>956 400 68</b>
blue	<b>956 500 75</b>	<b>956 500 67</b>	<b>956 500 68</b>

Bulb BA 15d,  
Total length max. 42 mm

12 V, 5 Watt	<b>955 840 34</b>
24 V, 5 Watt	<b>955 840 35</b>
30 V, 5 Watt	<b>955 840 32</b>
115 V, 5 Watt	<b>955 840 57</b>
230 V, 5 Watt	<b>955 840 38</b>



## ADDITIONAL INFORMATION:

You will find an overview of the entire range of accessories for KombiSIGN Signal Towers on pages 76 and 77.



## TECHNICAL DIAGRAMS:

see page 292 + 294



Cable not included in assembly



The KombiSIGN 50 Signal Tower with AS-Interface Element is capable of total communication: Through simple integration of an AS-Interface Element the actuators are connected to the networking system Actuator-Sensor-Interface – this considerably reduces complex wiring. This element is mounted as the first tier of the individual signal tower directly on top of the terminal element. (Further Information see page 11).

### **i** TECHNICAL SPECIFICATIONS:

	AS-Interface Element with additional external voltage
Number of signal elements	max. 4
Type of signal elements	Permanent light elements LED elements Buzzer elements
IO-Code	8
ID-Code	F
Power supply	via bus conduction
Operating voltage	25 V ... 31.6 V
Current consumption I <sub>max</sub>	50 mA
Polarity reversal protection	integrated
Watchdog	integrated
Outputs	4, relays
On-load voltage	additional external voltage: 10 V...30 V= 10 V...230 V~
Current carrying cap. $\Sigma$ I <sub>max</sub>	1.5 A
Short circuit/overload pro.	fuse M 1.6 A

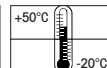
### **🛒** ORDER SPECIFICATIONS AS-INTERFACE-ELEMENT KOMBISIGN 50:

AS-Interface-Element with add. external voltage **845 800 68**



### TECHNICAL DIAGRAMS:

see page 292



# Overview KombiSIGN Accessories



## Overview Accessories

### KombiSIGN 50

Base for surface mounting,  
incl. rubber seal  
**Order no. 975 845 01**

Bracket for wall mounting  
**Order no. 975 845 02**

Adapter for single hole mounting  
**Order no. 975 845 03**

 **TECHNICAL DIAGRAMS:**  
See pages 269 + 289 + 292

### KombiSIGN 70 and 71

Bracket for 1-sided mounting,  
incl. rubber seals  
**Order no. 975 840 85**

Bracket for 2-sided mounting,  
incl. rubber seals  
**Order no. 975 840 86**

Base with integrated tube,  
Ø 25 mm, 110 mm long,  
plastic, incl. rubber seal  
**Order no. 975 840 10**

Adapter for tube mounting  
Ø 25 mm / 1/2" NPT thread  
**Order no. 975 840 02**

Adapter for single hole mounting  
Ø 25 mm, M 18  
**Order no. 960 000 25**

Bracket for surface mounting  
incl. cable gland  
M 16 x 1.5  
**Order no. 960 000 02**

Cable gland for surface  
mounting, M 16 x 1.5  
**Order no. 960 000 04**

Info transparencies:  
neutral, arrow, numbers "0" – "10"  
**Order no. see page 46 + 62**

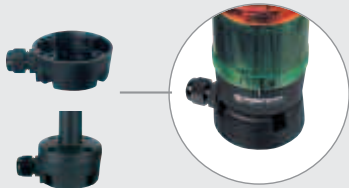
Tube with clamp, Ø 25 mm,  
250 mm long, incl. cable gland  
**Order no. 960 000 18**

# Overview KombiSIGN Accessories

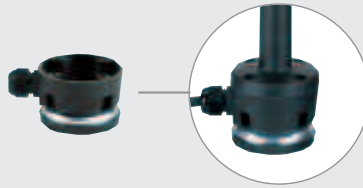
## KombiSIGN 50, 70 and 71

### KombiSIGN 50, 70 and 71

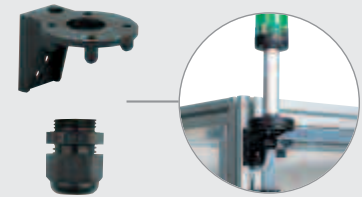
Contact box for cable exit at side, with mounting material and seal, cable gland M 16 x 1.5  
Order no. 975 840 01



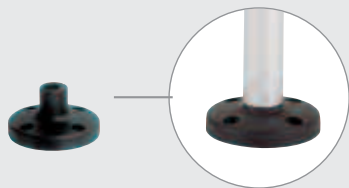
Contact box with magnetic base and cable exit at side cable gland M 16 x 1.5  
Order no. 975 840 04



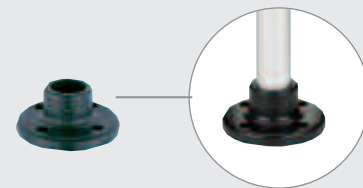
Bracket for tube mounting, incl. cable gland M 16 x 1.5  
Order no. 960 000 01



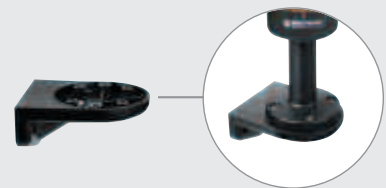
Base for tube mounting, Ø 25 mm, plastic, incl. rubber seal  
Order no. 975 840 90



Base for tube Ø 25 mm, metal, incl. rubber seal, recommended for tube lengths of 400 mm and longer  
Order no. 975 840 91



Bracket for base mounting, with concealed cable entry, incl. rubber seals  
Order no. 960 000 14



**NEW** Foldaway Base – Signal Tower can be folded away  
Order no. 960 000 30



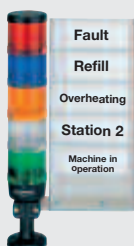
**NEW** Tube Ø 25 mm, plastic, 45 mm long, for direct mounting of the Terminal Element onto the Foldaway Base (only for KombiSIGN 70 + 71)  
Order no. 960 000 31



Tube Ø 25 mm, all anodized aluminium  
100 mm long **975 845 10**  
250 mm long **975 840 25**  
400 mm long **975 840 40**  
600 mm long **975 840 60**  
800 mm long **975 840 80**  
1000 mm long **975 840 03**



Indication board (for tube mounting)  
Order no. 960 000 05



LED bulb BA 15d total length max. 42 mm  
Colours: red, yellow, green, clear, blue  
Voltage 24 V, 115 V, 230 V  
Order specifications see page 154



Bulb BA 15d, total length max. 42 mm  
12 V, 5 Watt **955 840 34**  
24 V, 5 Watt **955 840 35**  
30 V, 5 Watt **955 840 32**  
115 V, 5 Watt **955 840 57**  
230 V, 5 Watt **955 840 38**



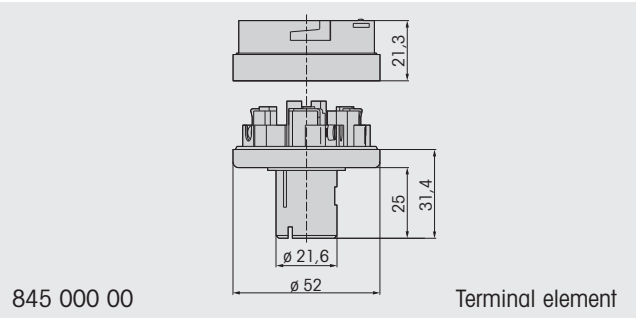
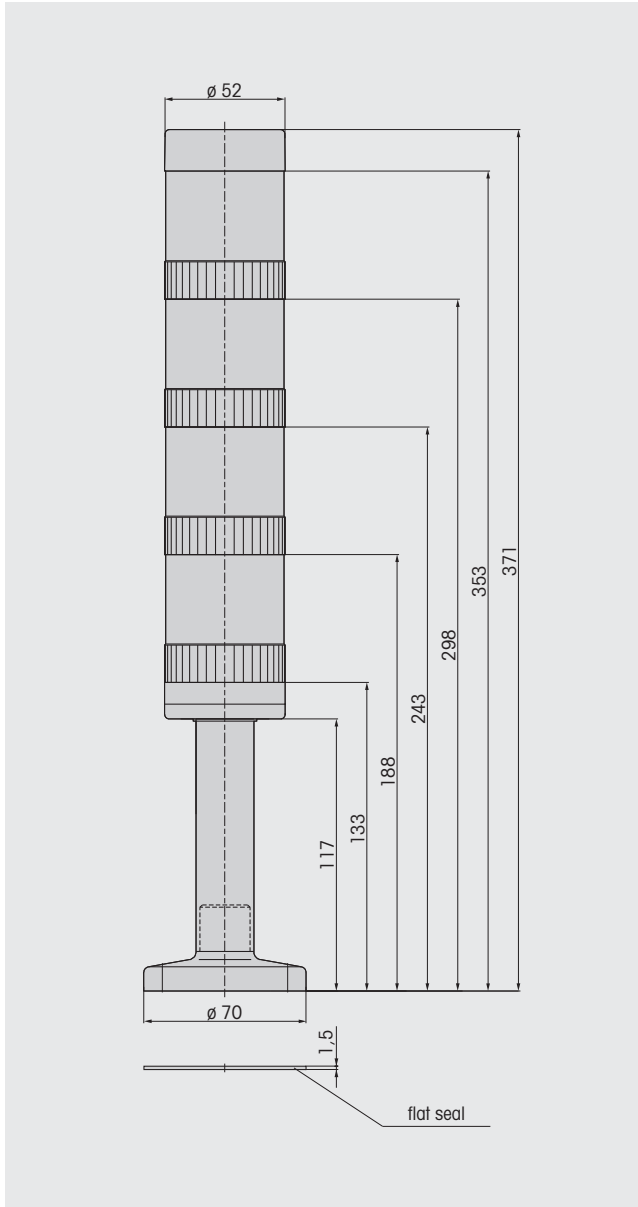


# Technical Diagrams

845

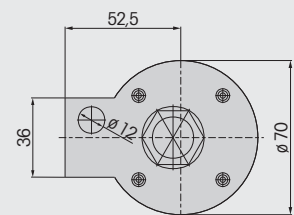
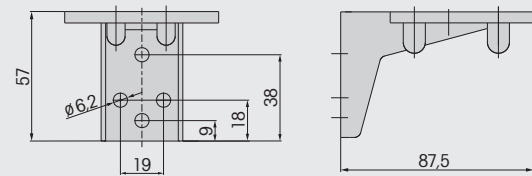
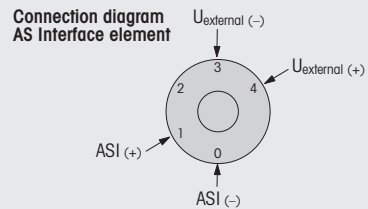
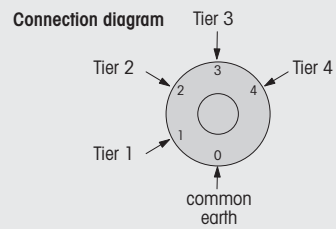
KombiSIGN 50

845 Accessories



845 000 00

Terminal element

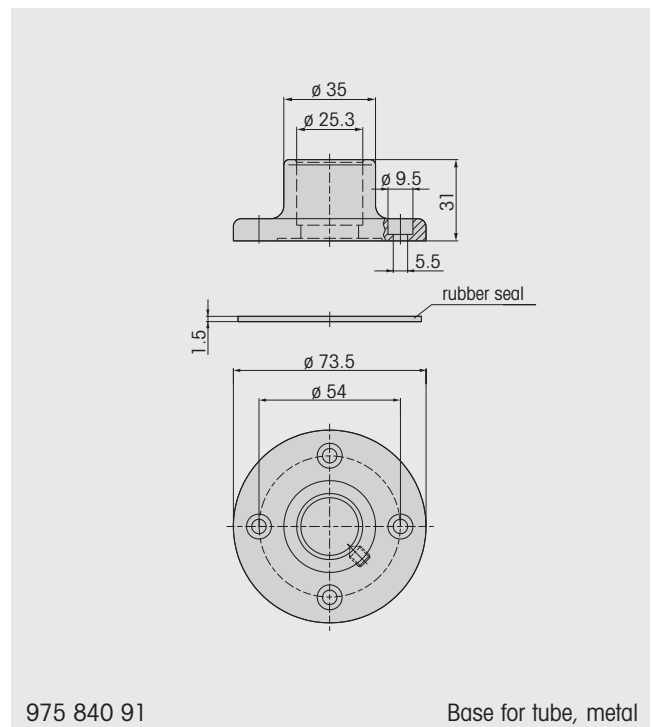
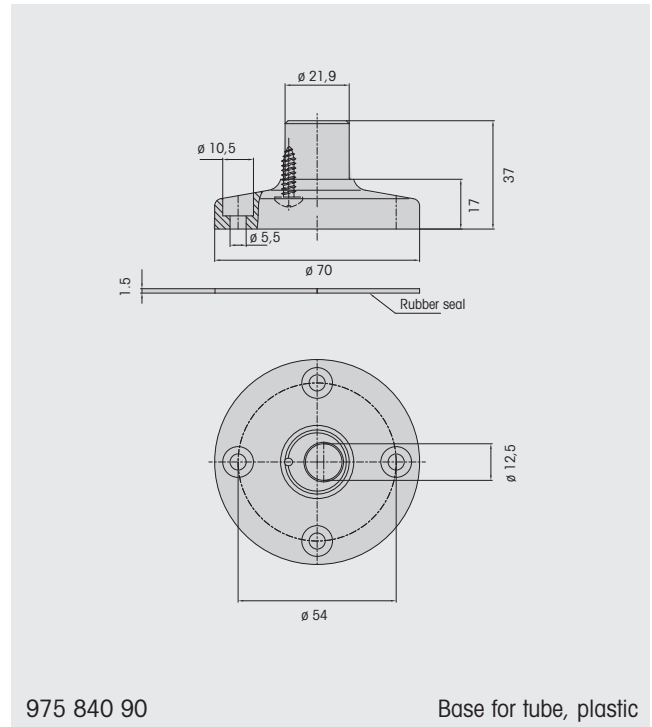
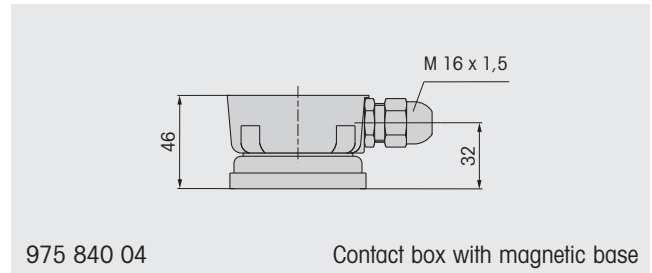
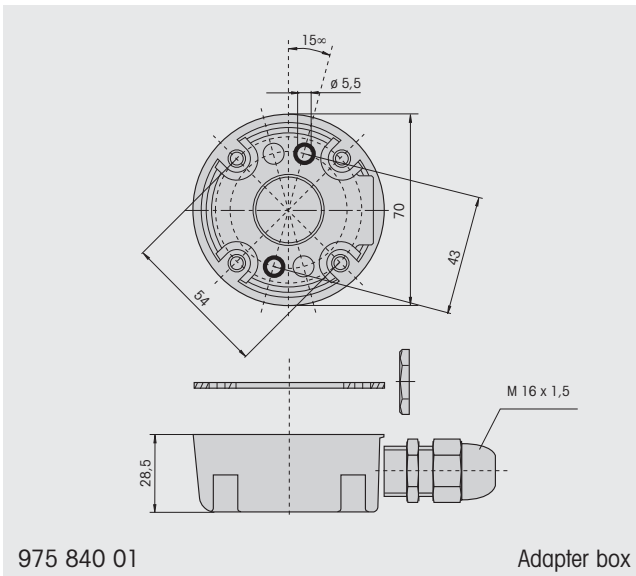
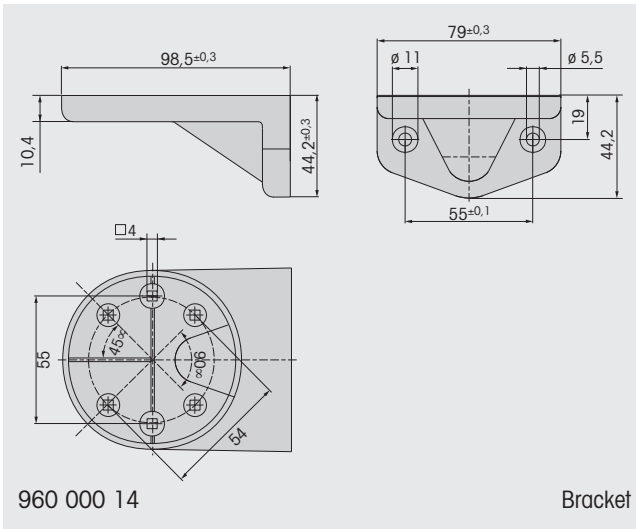


960 000 01

Bracket

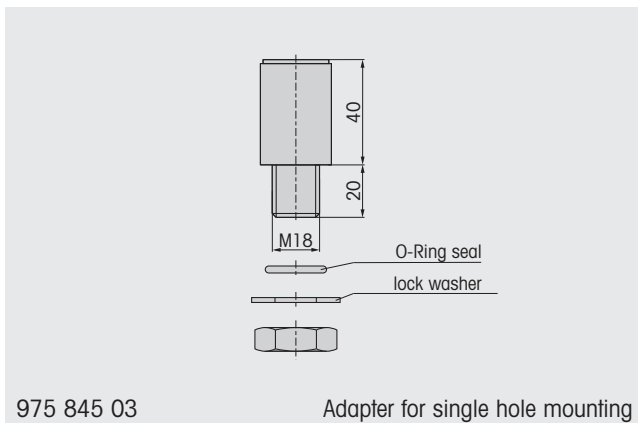
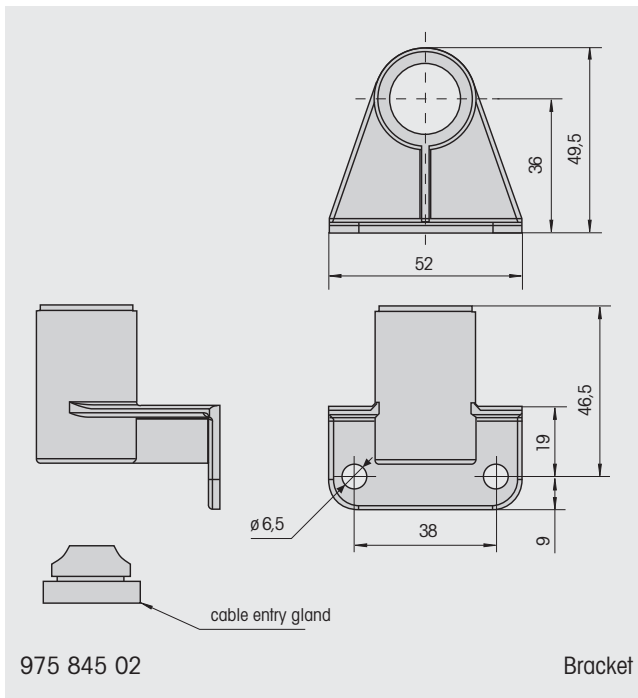
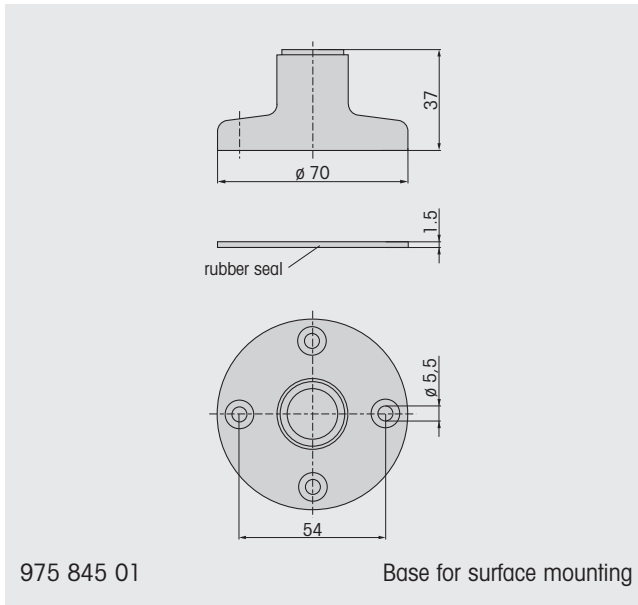
# Technical Diagrams

## 845 Accessories



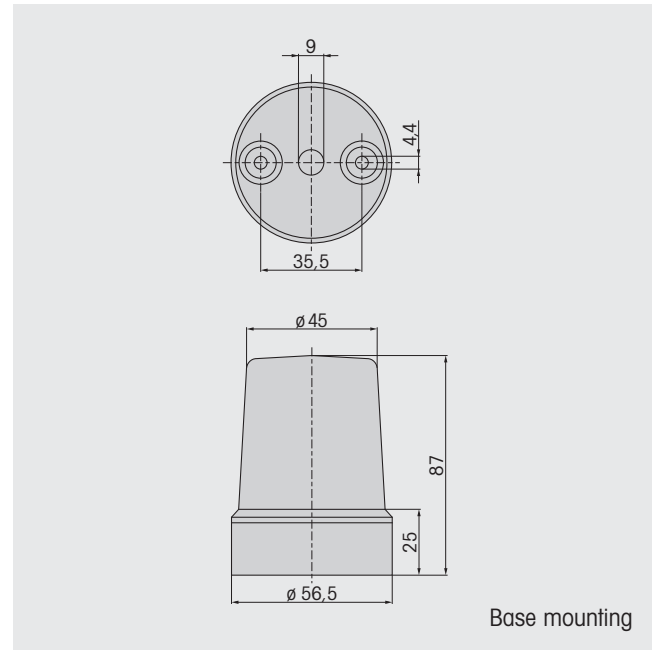
# Technical Diagrams

## 845 Accessories



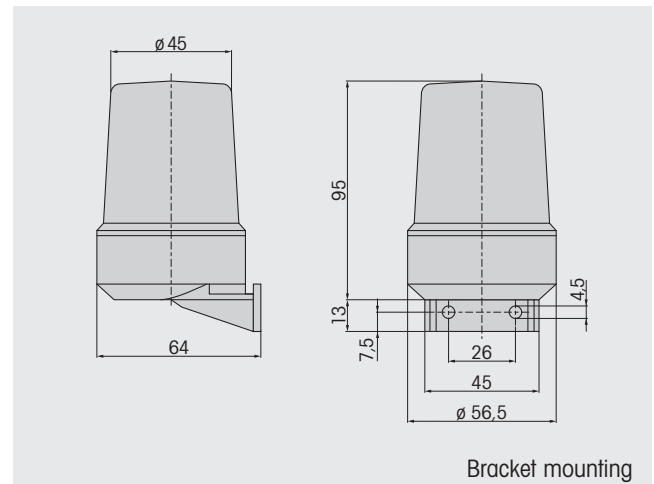
## 850

## Permanent Beacon



## 851

## Permanent Beacon



## 852

## Permanent Beacon

