

# FC234, FC300, FC350, FC355, 1503, 2651/2652, 26U51B

Fittings  
Medium  
Pressure

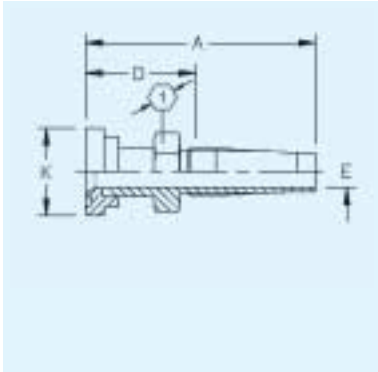
Mitteldruck-  
armaturen

Embouts  
moyenne  
pression

Raccordi  
media pressione

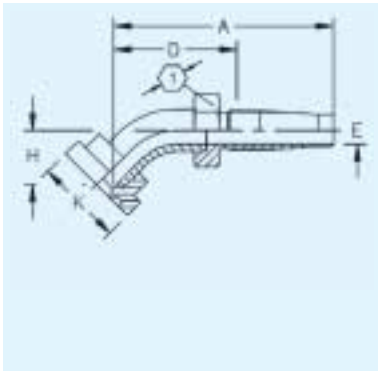
Racores  
medias  
presiones

38



Part Number	Thread T	Flange Tube O.D. mm	Hose ND	Hose Size	A mm	D mm	H mm	E Ø mm	K Ø mm	R Ø mm	HEX [1]	HEX [2]	Nut
G4675-12		3/4"	16	-12	98	59		14	38,1	30			
G4675-16-12		1"	16	-12	99	60		14	44,4	30			
G4675-16		1"	20	-16	97	67		18	44,4	30			
G4675-20-16		1 1/4"	19	-16	97	67		18	50,8	30			
G4675-20		1 1/4"	25	-20	102	69		23	50,8	36			
G4675-24		1 1/2"	31	-24	96	61		33	60,3	46			
G4675-32		2"	38	-32	123	76		45	71,4	55			
G4675-40		2 1/2"	60	-40	130	67		56	84,1	70			
G4675-48		3"	80	-48	123	60		70	101,6	85			

Part Number	Thread T	Flange Tube O.D. mm	Hose ND	Hose Size	A mm	D mm	H mm	E Ø mm	K Ø mm	R Ø mm	HEX [1]	HEX [2]	Nut
G4677-12		3/4"	16	-12	110	71	26	14	38,1	24			
G4677-16		1"	19	-16	112	83	32	18	44,4	30			
G4677-20		1 1/4"	25	-20	99	66	25	23	50,8	36			
G4677-24		1 1/2"	31	-24	109	74	29	33	60,3	46			
G4677-32		2"	38	-32	155	108	42	45	71,4	60			
G4677-40		2 1/2"	60	-40	152	89	41	56	84,1	70			
G4677-48		3"	80	-48	167	104	46	71	101,6	85			



Part Number	Thread T	Flange Tube O.D. mm	Hose ND	Hose Size	A mm	D mm	H mm	E Ø mm	K Ø mm	R Ø mm	HEX [1]	HEX [2]	Nut
G4679-8		1/2"	10	-8	74	47	36	9	30,2	19			
G4679-12		3/4"	16	-12	94	55	45	14	38,1	30			
G4679-16-12		1"	16	-12	105	67	56	14	44,4	30			
G4679-16		1"	20	-16	104	75	68	18	44,4	30			
G4679-20-16		1 1/4"	19	-16	104	75	68	18	50,8	30			
G4679-20		1 1/4"	25	-20	106	73	66	27	50,8	46			
G4679-24		1 1/2"	31	-24	112	77	73	33	60,3	46			
G4679-32		2"	38	-32	173	126	120	45	71,4	60			
G4679-40		2 1/2"	60	-40	163	100	107	56	84,1	70			
G4679-48		3"	80	-48	175	112	118	71	101,6	85			

