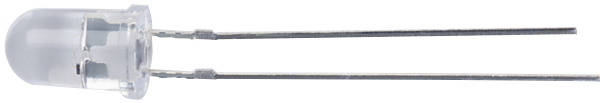


5mm Flashing Yellow LED

Order code: **55-1894**

MPN: OSPY5X31A



Features

- High power LEDs
- 5mm Standard directivity
- Water clear type
- Blinking type
- Superior weather-resistance

Application

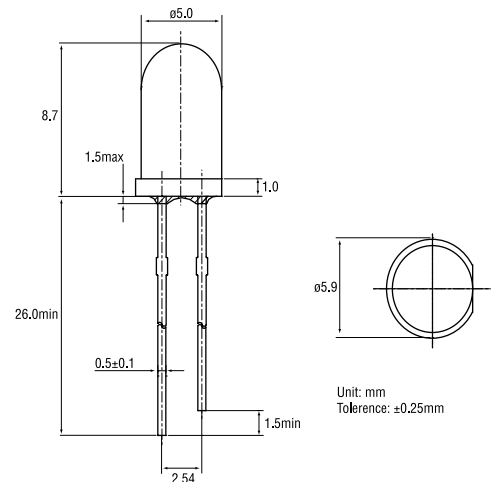
- Automotive dashboard lighting
- Traffic signal lamp

Absolute maximum ratings (Ta = 25°C)

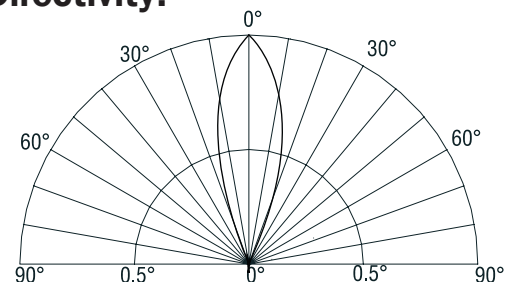
Item	Symbol	Value	Unit
Oscillator frequency	F _{led}	1.5	Hz
Operating temperature	T _{opr}	-30 to +80	°C
Storage temperature	T _{stg}	-30 to +100	°C
Lead soldering temperature	T _{sol}	260°C/3sec	-

* Pulse width max. 10ms Duty ratio max. 1/10

Outline dimensions:



Directivity:



Electrical - Optical characteristics (Ta = 25°C)

Item	Symbol	Condition	Min.	Typ.	Max.	Unit
Operating voltage	V _{dd}	-	4.5	5.0	6.0	V
Operating current	I _{op}	-	-	10	40	mA
Quiescent current	I _{sb}	-	-	1	5	uA
Driving current	I _{ol}	-	-	25	-	mA
Domi. wavelength	λ _D	I _F = 20mA	585	590	595	nm
Luminous intensity	I _V	I _F = 20mA	750	1120	1560	mcd
50% Power angle	2θ _{1/2}	I _F = 20mA	-	30	-	deg