

# 5mm Round Warm White LED

Order code: **55-3000**

MPN: OSM5YK5B61C-KL

## Features:

- High luminous LEDs
- 5mm Round standard directivity
- Long lifetime operation
- Superior weather-resistance
- UV Resistant epoxy
- Water clear type

## Applications

- Electronic signs and signals
- Small area illuminations
- Backlighting
- Other lighting

## Absolute maximum rating (Ta=25°C)

Item	Symbol	Value	Unit
DC Forward current	$I_F$	30	mA
Pulse forward current*	$I_{FP}$	100	mA
Reverse voltage	$V_R$	5	V
Power dissipation	$P_D$	108	mW
Operating temperature	$T_{opr}$	-30 to +85	°C
Storage temperature	$T_{stg}$	-40 to +100	°C
Lead soldering temperature	$T_{sol}$	260°C/5 sec	-

\* Pulse width max. 10ms. Duty ratio max. 1/10

## Electrical - Optical characteristics (Ta=25°C)

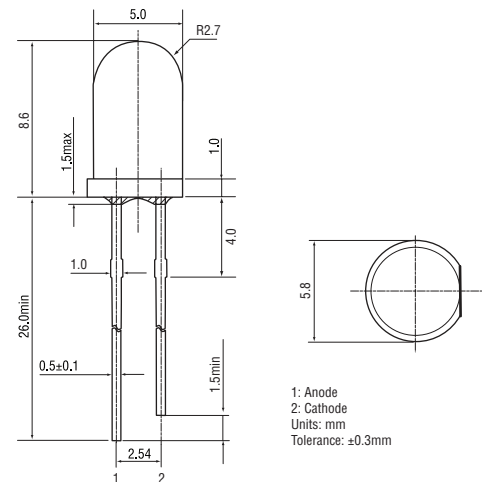
Item	Symbol	Condition	Min.	Typ.	Max.	Unit
DC Forward voltage	$V_F$	$I_F=20mA$	2.9	3.1	3.6	V
DC Reverse current	$I_R$	$V_R=5V$	-	-	10	$\mu A$
Luminous intensity†	$I_v$	$I_F=20mA$	750	1120	-	mcd
Chromaticity coordinates*	x	$I_F=20mA$	-	0.45	-	
	y	$I_F=20mA$	-	0.41	-	
50% Power angle	$2\theta_{1/2}$	$I_F=20mA$	-	60	-	deg

\* Tolerance of dominant wavelength is  $\pm 10\%$

† Tolerance of luminous intensity is  $\pm 15\%$



## Outline dimensions:



## Directivity:

