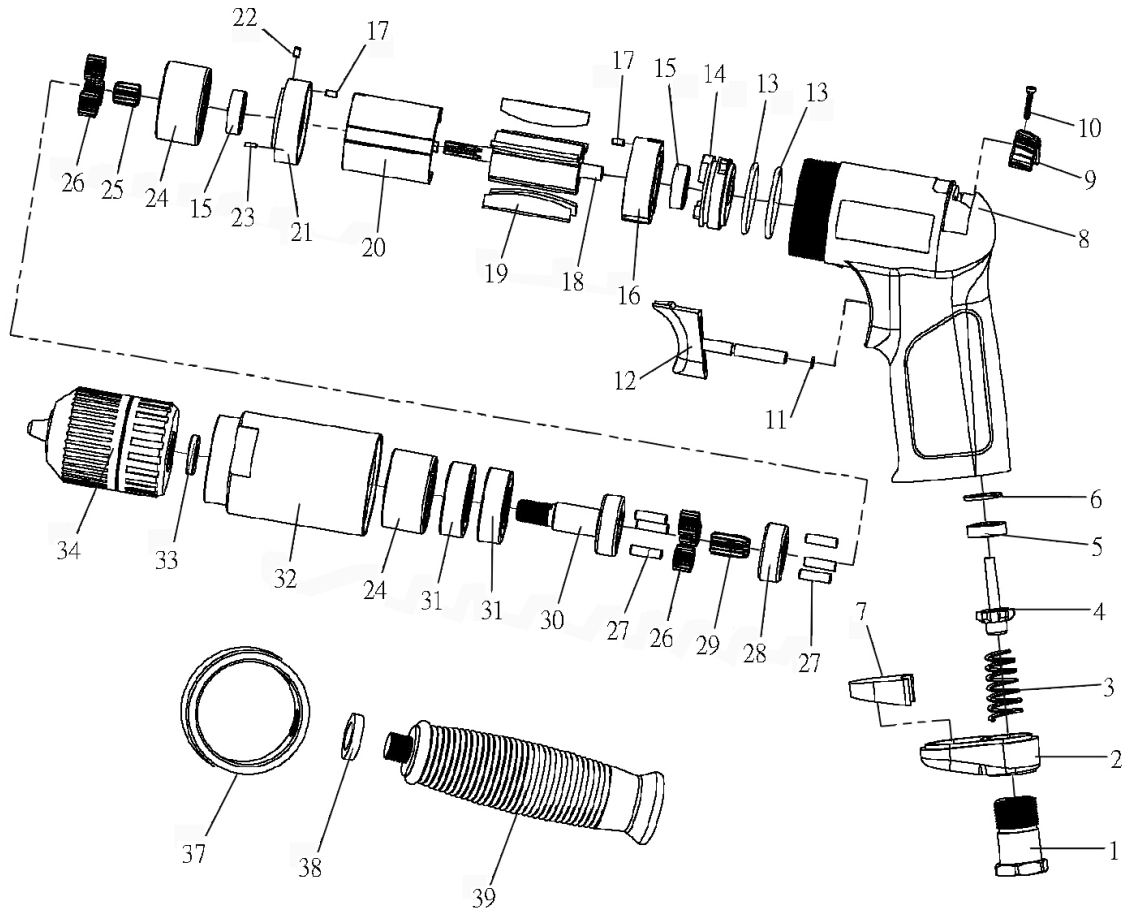


Parts Information:
Air Drill Ø13mm with Keyless Chuck
Composite Premier
Model No:SA621.V2



Item	Part No.	Description
1	SA621.V2-01	INLET BUSHING
2	SA621.V2-02	DEFLECTOR
3	SA621.V2-03	VALVE SPRING
4	SA621.V2-04	VALVE
5	SA621.V2-05	VALVE SEAT
6	SA621.V2-06	SPACER
7	SA621.V2-07	SILENCER
8	SA621.V2-08	HOUSING
9	SA621.V2-09	REVERSE VALVE LEVER
10	SA621.V2-10	TAPING SCREW (2.3x12)
11	SA621.V2-11	O-RING (3x1)
12	SA621.V2-12	TRIGGER
13	SA621.V2-13	O-RING (27 x 2)
14	SA621.V2-14	VALVE BODY
15	B/626	BEARING 626
16	SA621.V2-16	REAR PLATE
17	SA621.V2-17	SPRING PIN
18	SA621.V2-18	ROTOR
19	SA621.V2-19	ROTOR BLADE (SET OF 5)

Item	Part No.	Description
20	SA621.V2-20	CYLINDER
21	SA621.V2-21	FRONT PLATE
22	SA656.12	SPRING PIN (2.5x4)
23	SA621.V2-23	PIN (1.5x4.8)
24	SA621.V2-24	INTERNAL GEAR
25	SA621.V2-25	PINION GEAR
26	SA621.V2-26	IDLER GEAR
27	SA621.V2-27	PIN (4x13.8)
28	SA621.V2-28	REDUCTION SPINDLE
29	SA621.V2-29	REDUCTION GEAR
30	SA621.V2-30	WORK SPINDLE
31	B/6201ZZ	BEARING 6201ZZ
32	SA621.V2-32	GEAR HOUSING
33	SA95.V3-02	SPACER
34	GSA27.37	KEYLESS CHUCK 1.5-13mm 3/8-24UNF
37	SA621.V2-37	CLAMP RING
38	SA621.V2-38	RUBBER GASKET
39	SA621.V2-39	SIDE HANDLE
--	SA620/30	CHUCK SCREW (NOT SHOWN)

NOTE: It is our policy to continually improve products and as such we reserve the right to alter data, specifications and component parts without prior notice.

IMPORTANT: No liability is accepted for incorrect use of product.

WARRANTY: Guarantee is 12 months from purchase date, proof of which will be required for any claim.