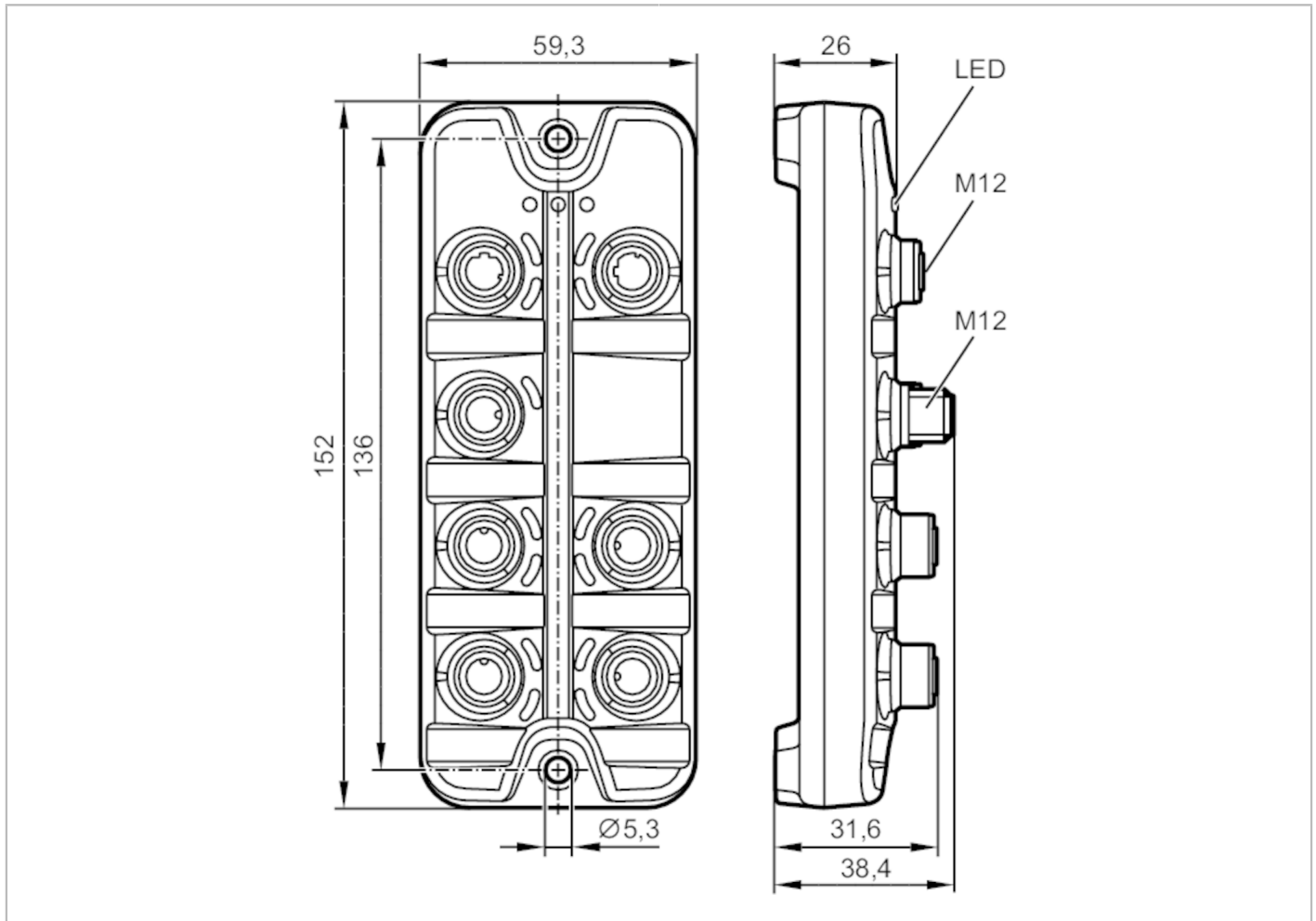


# AL1351



## IO-Link master with IoT interface

IO-Link Master DL IoT 4P IP69K



Application	
Application	hygienic systems; I/O modules for field applications
Daisy-chain function	fieldbus interface
Electrical data	
Operating voltage [V]	20...28 DC; (US; to SELV/PELV)
Current consumption [mA]	300...3900; (US)
Protection class	III
Sensor supply US	
Max. current load total [A]	3.6
Inputs / outputs	
Total number of inputs and outputs	8; (configurable)
Number of inputs and outputs	Number of digital inputs: 8; Number of digital outputs: 4
Inputs	
Number of digital inputs	8; (IO-Link Port Class A: 4 x 2)
Switching level high [V]	11...30
Switching level low [V]	0...5
Digital inputs protected against short circuits	yes

# AL1351



## IO-Link master with IoT interface

IO-Link Master DL IoT 4P IP69K

Outputs	
Number of digital outputs	4; (IO-Link Port Class A: 4 x 1)
Max. current load per output [mA]	300
Short-circuit proof	yes
Interfaces	
Communication interface	Ethernet; IO-Link
Note on interfaces	Secure protocol; HTTPS
Ethernet - Internet of Things	
Transmission standard	10Base-T; 100Base-TX
Transmission rate	10; 100
Protocol	MQTT JSON
Factory settings	IP address: 169.254.x.x
	subnet mask: 255.255.0.0
	gateway IP address: 0.0.0.0
	MAC address: see type label
IO-Link Master	
Transmission type	COM 1 / COM 2 / COM 3
IO-Link revision	1.1
Number of ports class A	4
Operating conditions	
Ambient temperature [°C]	-25...60
Storage temperature [°C]	-25...85
Max. relative air humidity [%]	90
Protection	IP 65; IP 66; IP 67; IP 69K; (operation with stainless steel protective caps: IP 69K)
Degree of soiling	2
Tests / approvals	
EMC	EN 61000-6-2
	EN 61000-6-4
Shock resistance	DIN EN 60068-2-27
Vibration resistance	DIN EN 60068-2-64 2009-04
	DIN EN 60068-2-6 2008-10
Mechanical data	
Weight [g]	304.5
Materials	housing: PA grey; socket: stainless steel (1.4404 / 316L)
Remarks	
Remarks	For further information please see the operating instructions.
Pack quantity	1 pcs.



## IO-Link master with IoT interface

IO-Link Master DL IoT 4P IP69K

### Electrical connection - Ethernet

#### IoT X21, X22

1	TX +
2	RX +
3	TX -
4	RX -
5	not used

Connector: M12

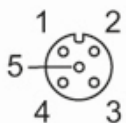


### Electrical connection - Process connection

#### IO-Link Port Class A X01...X04

1	Sensorversorgung (US) L+
2	digital input
3	Sensorversorgung (US) L-
4	C/Q IO-Link
5	not used

Connector: M12



### Electrical connection - voltage supply

#### X31

1	+ 24 V DC (US)
2	not used
3	GND (US)
4	not used

Connector: M12

# AL1351



## IO-Link master with IoT interface

IO-Link Master DL IoT 4P IP69K

