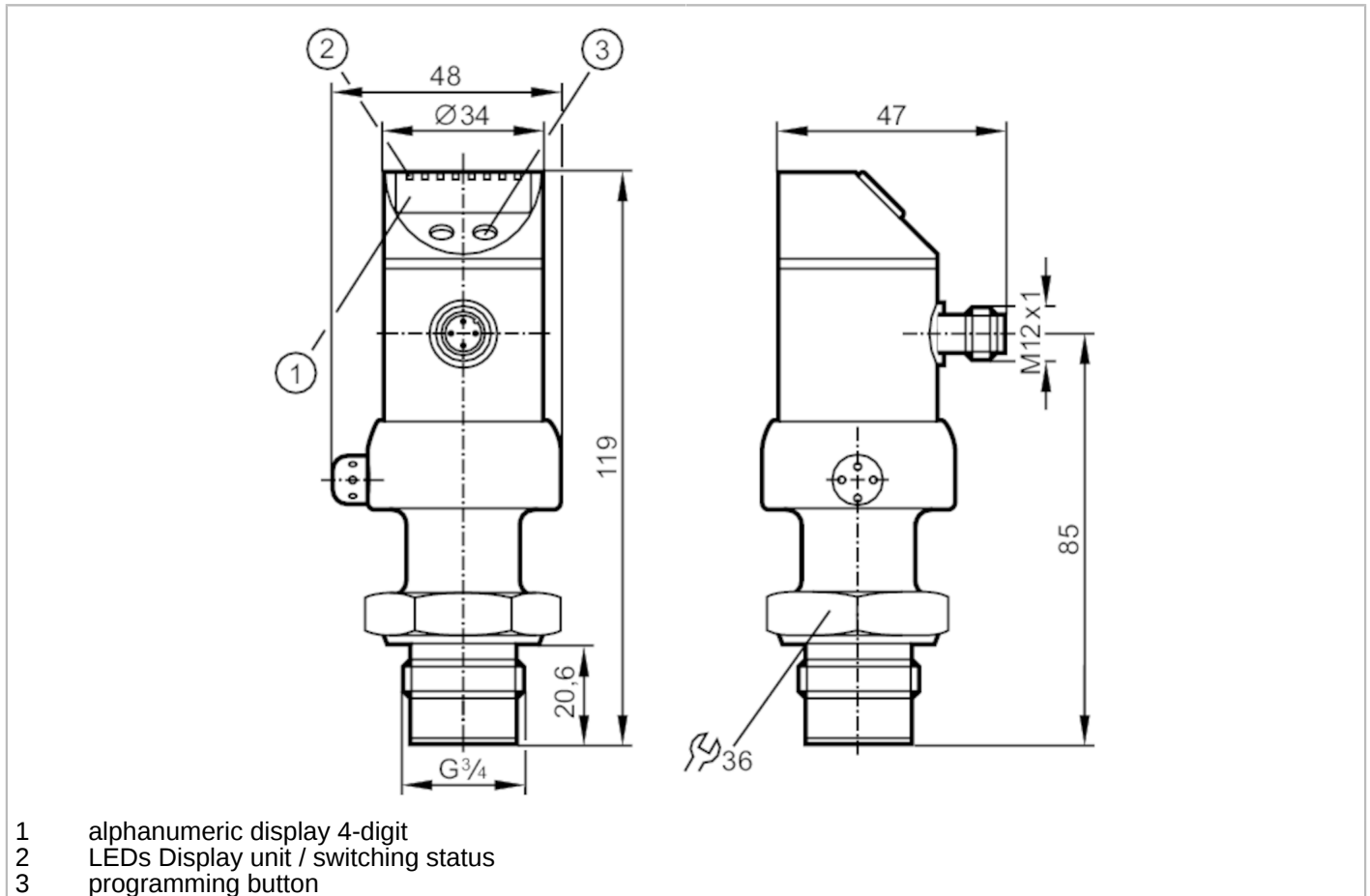


# PI2995



## Flush pressure sensor with display

PI-004-REB34-MFRKG/US/ IP



### Product characteristics

Output signal	switching signal; analogue signal; (configurable)		
Measuring range	-1...4 bar	-14.5...58 psi	-100...400 kPa
Process connection	threaded connection G 3/4 external thread		

### Application

Special feature	Gold-plated contacts		
Application	food and beverage industry		
Installation	freely rotatable housing 350°		
Media	viscous media and liquids with suspended particles; liquids and gases		
Medium temperature [°C]	-25...125; (145 max. 1h)		
Pressure rating	30 bar	435 psi	3000 kPa
Min. bursting pressure	100 bar	1450 psi	10000 kPa
Type of pressure	relative pressure; vacuum		
No dead space	yes		



## Flush pressure sensor with display

PI-004-REB34-MFRKG/US/ IP

Electrical data		
Operating voltage	[V]	18...32 DC
Current consumption	[mA]	< 50
Min. insulation resistance	[MΩ]	100; (500 V DC)
Protection class		III
Reverse polarity protection		yes
Power-on delay time	[s]	0.5
Integrated watchdog		yes

Inputs / outputs	
Number of inputs and outputs	Number of digital outputs: 1; Number of analogue outputs: 1

Outputs	
Total number of outputs	2
Output signal	switching signal; analogue signal; (configurable)
Electrical design	PNP/NPN
Number of digital outputs	1
Output function	normally open / normally closed; (parameterisable)
Max. voltage drop switching output DC	[V] 2
Permanent current rating of switching output DC	[mA] 250
Switching frequency DC	[Hz] 6
Number of analogue outputs	1
Analogue current output	[mA] 4...20, invertible; (scalable 1:4)
Max. load	[Ω] (U <sub>b</sub> - 10 V) / 20 mA
Analogue voltage output	[V] 0...10, invertible; (scalable 1:4)
Min. load resistance	[Ω] 2000
Short-circuit protection	yes
Type of short-circuit protection	pulsed
Overload protection	yes

Measuring/setting range			
Measuring range	-1...4 bar	-14.5...58 psi	-100...400 kPa
Set point SP	-0.99...4 bar	-14.35...58 psi	-99...400 kPa
Reset point rP	-1...3.99 bar	-14.5...57.85 psi	-100...399 kPa
Analogue start point	-1...3 bar	-14.5...43.5 psi	-100...300 kPa
Analogue end point	0...4 bar	0...58 psi	0...400 kPa
In steps of	0.005 bar	0.05 psi	0.5 kPa
Factory setting		SP1 = 1.000 bar	rP1 = 0.920 bar
		ASP = 0.000 bar	AEP = 4.000 bar

Accuracy / deviations	
Switch point accuracy [% of the span]	< ± 0,2; (Turn down 1:1)
Repeatability [% of the span]	< ± 0,1; (with temperature fluctuations < 10 K; Turn down 1:1)
Characteristics deviation [% of the span]	< ± 0,2; (Turn down 1:1 linearity, incl. hysteresis and repeatability limit value setting to DIN 16086)
Linearity deviation	< ± 0,15; (Turn down 1:1)

# PI2995



## Flush pressure sensor with display

PI-004-REB34-MFRKG/US/ IP

	[% of the span]	
Hysteresis deviation	[% of the span]	< ± 0,15; (Turn down 1:1)
Long-term stability	[% of the span]	< ± 0,1; (Turn down 1:1; per year)
Temperature coefficient zero point	[% of the span / 10 K]	< ± 0,05; (0...70 °C)
Temperature coefficient span	[% of the span / 10 K]	< ± 0,15; (0...70 °C)

### Response times

Response time	[ms]	< 100
Damping for the switching output dAP	[s]	0.1...100
Damping for the analogue output dAA	[s]	0.1...100
Step response time analogue output	[ms]	25

### Software / programming

Parameter setting options	hysteresis / window; normally open / normally closed; switching logic; current/voltage output; Damping; adaptation of displayed values; display can be rotated and switched off; Display unit; zero point; span
---------------------------	---

### Operating conditions

Ambient temperature	[°C]	-25...80
Storage temperature	[°C]	-40...100
Protection		IP 67; IP 69K

### Tests / approvals

EMC	EN 61000-4-2 ESD	4 kV CD / 8 kV AD
	EN 61000-4-3 HF radiated	10 V/m
	EN 61000-4-4 Burst	2 kV
	EN 61000-4-5 Surge	0,5/1 kV
	EN 61000-4-6 HF conducted	10 V
Shock resistance	DIN IEC 68-2-27	50 g (11 ms)
Vibration resistance	DIN IEC 68-2-6	20 g (10...2000 Hz)
MTTF	[years]	163

### Mechanical data

Weight	[g]	384
Materials		stainless steel (1.4404 / 316L); PC; PBT; PEI; FKM; PTFE
Materials (wetted parts)		ceramics (99.9 % Al <sub>2</sub> O <sub>3</sub> ); PTFE; stainless steel (1.4435 / 316L); surface characteristics: Ra < 0,4 / Rz 4
Min. pressure cycles		100 million
Process connection		threaded connection G 3/4 external thread

# PI2995



## Flush pressure sensor with display

PI-004-REB34-MFRKG/US/ IP

Displays / operating elements		
Display	Display unit	4 x LED, green
	switching status	LED, yellow
	function display	alphanumeric display, 4-digit
	measured values	alphanumeric display, 4-digit
Display unit	bar; psi; kPa; % of the span	

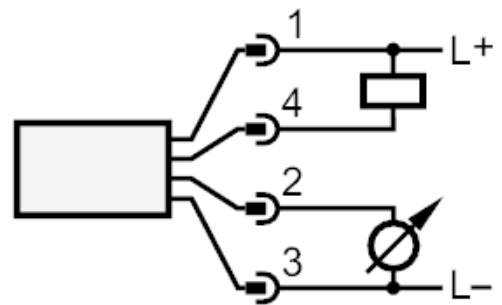
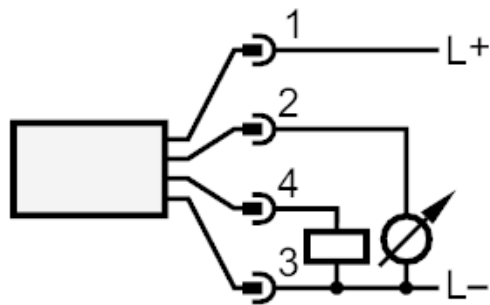
Remarks	
Pack quantity	1 pcs.

### Electrical connection

Connector: 1 x M12; Contacts: gold-plated



### Connection



OUT1            switching output  
OUT2            analogue output