

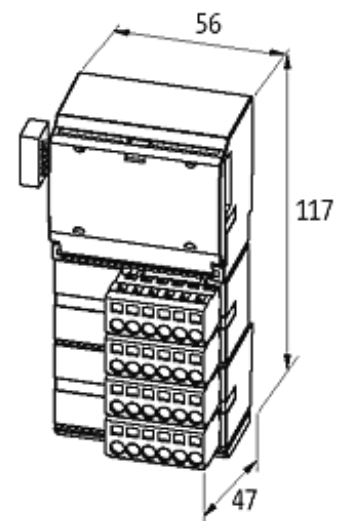
CUBE20 ANALOG INPUT MODULE

4 analog inputs

AI4 - (E) 4xM12 (TH)
for thermo elements

[Link to Product](#)

Illustration



Product may differ from Image

Approvals



Input

Conversion time (analog)	max. 300 ms (per channel)
Type	K, N, E, J, R
Resolution (analog)	15 Bit + sign
Accuracy	max. $\pm 2\%$, cold junction compensation
Connection	2-wire input; TH+x, TH-x

Internal communication

Module Supply	via system connection
Current consumption	max. 25 mA from system, max. 45 mA externally (UI)

Connections

Fieldbus	Ribbon cable connection
Sensor-system/actuator supply	4 \times Spring clamp terminals, max. 2.5 mm ² (max. 12 A)
I/O ports	12 \times Spring clamp plug-in terminals, max. 2.5 mm ²

Technical Data

Operating voltage	24 V DC (EN 61131-2)
-------------------	----------------------

General data

Protection	IP20
Mounting method	DIN-rail mountable (EN 60715)
Temperature range	0...+55 °C (storage temperature -20...+85 °C)
Dimensions H \times W \times D	117 \times 56 \times 47 mm

Diagnostic

Communication status	via LED
Diagnostic via LED	per module
Diagnostic via BUS	per module and channel
Monitoring - under voltage	yes
Monitoring - no voltage	no
Short circuit and overload	yes
Wire break upper/lower limit overload	per channel via LED and BUS

Commercial data

country of origin	DE
customs tariff number	85176200
minimum order quantity	1