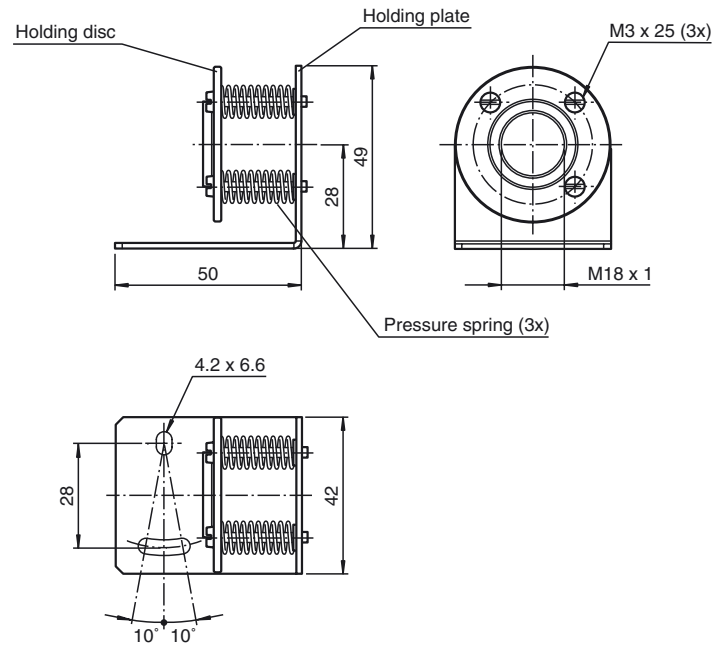




## Dimensions



### Model number

**OMH-VL18**

Mounting aid with tumble mechanism

### Features

- Simple and fast mounting

Mounting bracket for sensors of VL18 series

## Technical data

### Mechanical specifications

Material	Metal sheet (steel), /High-grade steel
Mass	approx. 70 g

### Suitable series

Series	VL18
--------	------