



SIRIUS POSITION SWITCH; PLASTIC HOUSING ACC. TO EN50047, 31MM 1NO/2NC SLOW-ACTION CONTACTS W. M12 CONNECTOR, 4-POLE MAX. 250V AND 4A, 2OE AND PE CONNECTED TEFLON PLUNGER

Product designation		standard position switch
<b>Manufacturer article number</b>		
<ul style="list-style-type: none"> <li>• of the supplied basic switch</li> <li>• of the supplied switching contacts</li> </ul>		<a href="#">3SE5234-0KC05-1AE0</a> <a href="#">3SE5000-0KA00</a>

General technical data:

<b>Product function</b>		
<ul style="list-style-type: none"> <li>• positive opening</li> </ul>		Yes
<b>Insulation voltage</b>		
<ul style="list-style-type: none"> <li>• Rated value</li> </ul>	V	250
<b>Degree of pollution</b>		class 3
<b>Shock resistance</b>		30g / 11 ms
<b>Vibration resistance</b>		0.35 mm / 5g
<b>Surge voltage resistance Rated value</b>	kV	2.5
<b>Mechanical service life (switching cycles)</b>		
<ul style="list-style-type: none"> <li>• typical</li> </ul>		15 000 000
<b>Electrical endurance (switching cycles)</b>		
<ul style="list-style-type: none"> <li>• at AC-15 at 230 V typical</li> </ul>		100 000
<b>Electrical operating cycles in one hour with contactor 3RH11, 3RT1016, 3RT1017, 3RT1024, 3RT1025, 3RT1026</b>		6 000
<b>Thermal current</b>	A	4
<b>Material of the enclosure of the switch head</b>		plastic
<b>Protection class IP</b>		IP65
<b>Equipment marking</b>		
<ul style="list-style-type: none"> <li>• acc. to DIN EN 61346-2</li> </ul>		B

• acc. to DIN EN 81346-2		B
<b>Active principle</b>		mechanical
<b>Repeat accuracy</b>	mm	0.05
Explosion protection category for dust		none
Explosion protection category for gas		none
Minimum actuating force in activation direction	N	20
<b>Operating current at AC-15</b>		
• at 230 V Rated value	A	1.5
<b>Operating current</b>		
• at DC-13 at 125 V Rated value	A	0.55
<b>Operating current</b>		
• at DC-13		
— at 24 V Rated value	A	3

<b>Enclosure:</b>		
<b>Design of the housing</b>		block, narrow
<b>Material of the enclosure</b>		plastic
<b>Coating of the enclosure</b>		Other types
<b>Design of the housing acc. to standard</b>		Yes

<b>Drive Head:</b>		
<b>Design of the operating mechanism</b>		teflon plunger
<b>Standard-compliant actuator head</b>		EN 50047, design B
<b>Shape of the switch head</b>		rounded
<b>Design of the switching function</b>		positive opening

<b>Connections/ Terminals:</b>		
<b>Type of electrical connection</b>		M12 plug, fixed

<b>Mechanical data:</b>		
<b>Cable entry type</b>		M12 plug
<b>Design of plug-in connection</b>		M12 plug, 4-pole: Pin 1 = terminal 21, Pin 2 = 22, Pin 3 = 31, Pin 4 = 32

<b>Communication/ Protocol:</b>		
<b>Design of the interface</b>		without

<b>Ambient conditions:</b>		
<b>Ambient temperature</b>		
• during operation	°C	-25 ... +85
• during storage	°C	-40 ... +90

<b>Installation/ mounting/ dimensions:</b>		
<b>mounting position</b>		any
<b>Mounting type</b>		screw fixing

<b>Certificates/ approvals:</b>		
---------------------------------	--	--



CCC



CSA



UL



EG-Konf.

[Special Test  
Certificate](#)

## other

[Confirmation](#)

## Further information

## Information- and Downloadcenter (Catalogs, Brochures,...)

<http://www.siemens.com/industrial-controls/catalogs>

## Industry Mall (Online ordering system)

<http://www.siemens.com/industrymall>

## Cax online generator

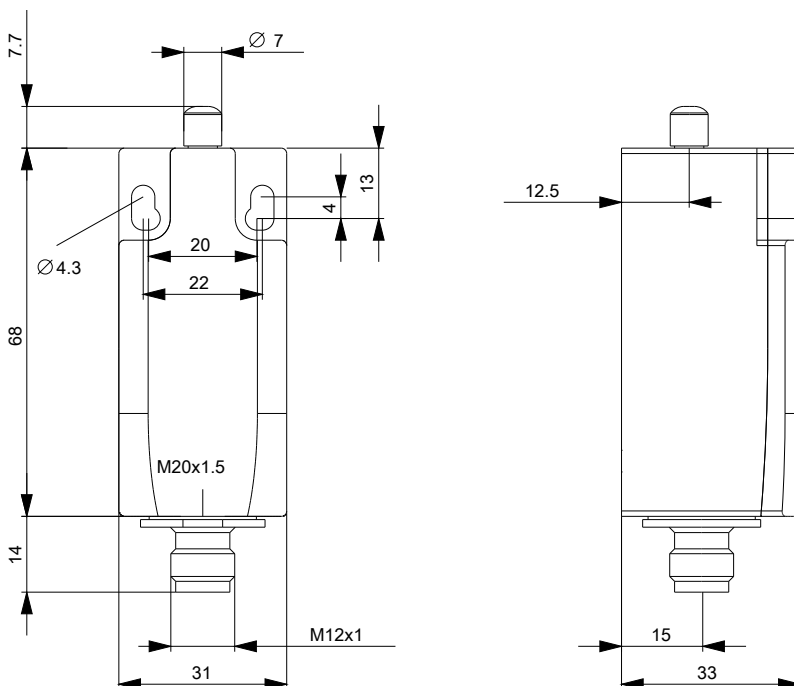
<http://support.automation.siemens.com/WW/CAXorder/default.aspx?lang=en&mlfb=3SE52340KC051AE0>

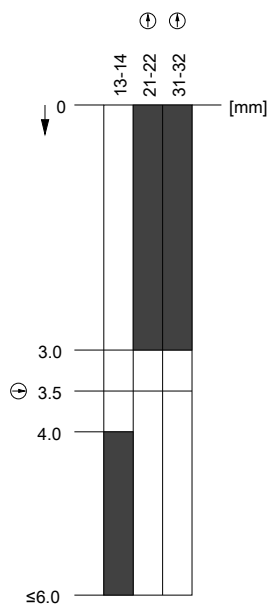
## Service&amp;Support (Manuals, Certificates, Characteristics, FAQs,...)

<http://support.automation.siemens.com/WW/view/en/3SE52340KC051AE0/all>

## Image database (product images, 2D dimension drawings, 3D models, device circuit diagrams, EPLAN macros, ...)

[http://www.automation.siemens.com/bilddb/cax\\_de.aspx?mlfb=3SE52340KC051AE0&lang=en](http://www.automation.siemens.com/bilddb/cax_de.aspx?mlfb=3SE52340KC051AE0&lang=en)





**last modified:**

09.03.2015