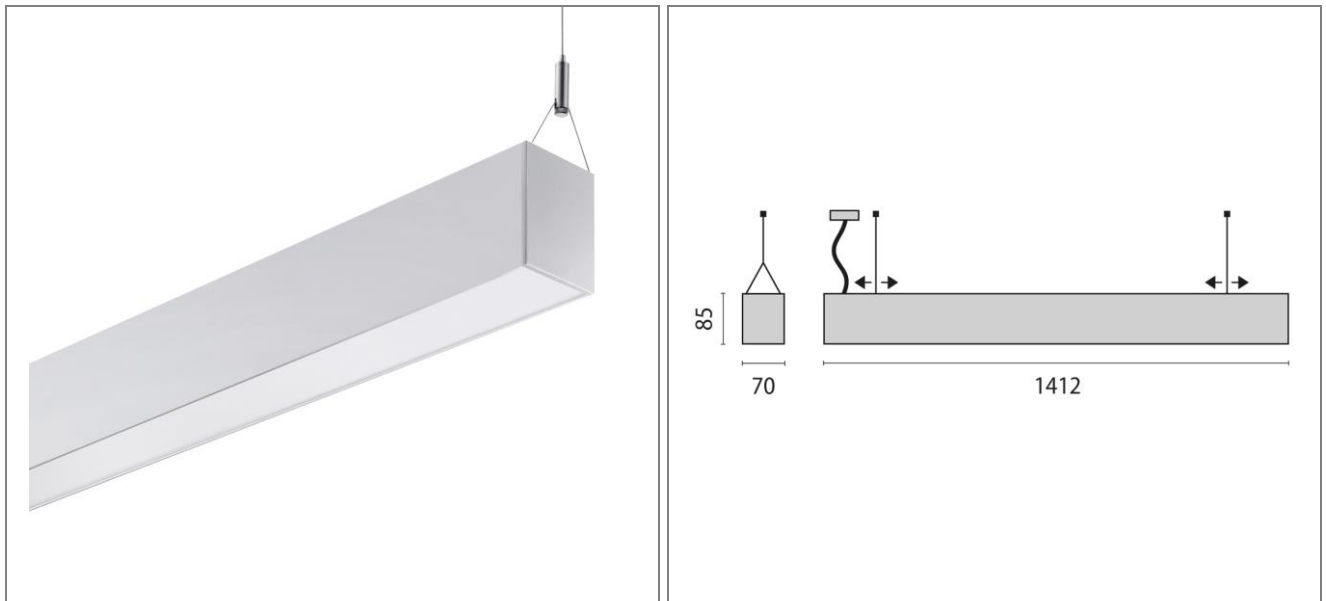


ART.: 3109607

SL787+ PL OP



Art.: 3109607, SL787+ PL, Direct, 12W, 3000K, Driver static, Symmetrical, > 75°, Anodized, LED suspended luminaire for interior, comprising: Extruded aluminium housing, anodised (EV1), die-cast aluminium endcaps, powder painted. Opal PMMA diffuser for optimal light diffusion and a high light uniformity. Streamlined, simple design with flush end caps. High-quality workmanship of profile connections for a perfect look. High economic efficiency thanks to luminaire efficiencies of up to 159 lm/W. UGR <19 for all luminosities. Through-wiring possible. Simple and convenient lighting installation. Interchangeable lighting inserts. Direct light distribution. Colour rendering index Ra > 80. Colour tolerance according to MacAdam ≤ 3 SDCM. Complete with steel suspension cable (1.5 m), transparent power cord and ceiling rose. Many other luminaire designs and strip light configurations are available at www.light-performer.com.

Connected load	12 W
Luminous flux	1820 lm
Efficiency	152 lm/W
Colour temperature	3000K
Colour rendering (CRI)	80
IP class	30
Nominal voltage	220 – 240 V
Colour	GR-EV1
UGR	18,7

