



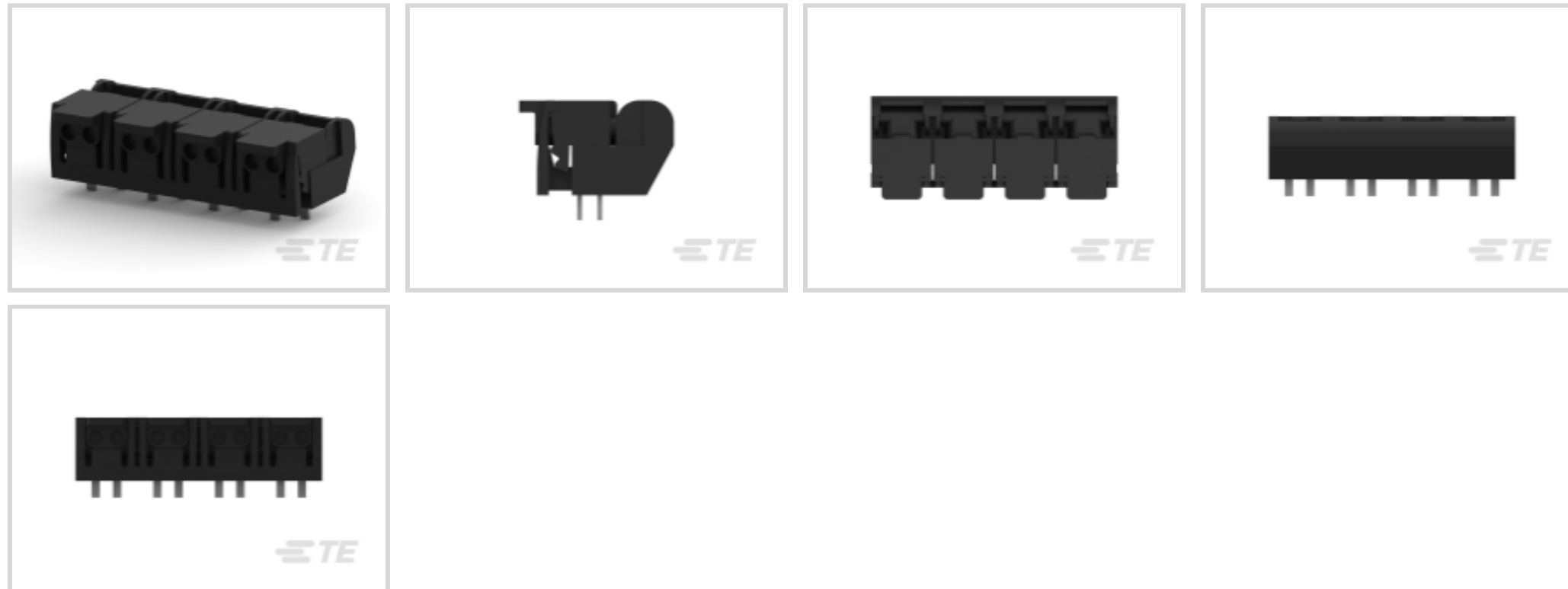
Pivot

TE Internal #: 1339375-2

Pivot, PCB Mount Receptacle, Vertical, Wire-to-Board, 9.9mm [.39in] Centerline, 1 Row, Tin, Natural Housing Color, One Piece - IDC

[View on TE.com >](#)

Connectors > PCB Connectors > Wire-to-Board Connectors > Wire-to-Board Headers & Receptacles



PCB Connector Assembly Type: **PCB Mount Receptacle**

PCB Mount Orientation: **Vertical**

Connector System: **Wire-to-Board**

Centerline (Pitch): **9.9 mm [.39 in]**

Termination Method to Printed Circuit Board: **Through Hole - Solder**

Features

Product Type Features

PCB Connector Assembly Type	PCB Mount Receptacle
Connector System	Wire-to-Board
Header Type	One Piece - IDC
Sealable	No
Connector & Contact Terminates To	Printed Circuit Board, Wire & Cable

Configuration Features

Wire Entry Location	Front or Back
Number of Pairs	4
PCB Mount Orientation	Vertical
Number of Rows	1

Electrical Characteristics

Operating Voltage	250 VAC
-------------------	---------

Body Features

Wire Stuffer Cap Color	Black
------------------------	-------



Contact Features

Contact Layout	Staggered
Contact Retention Within Housing	Without
PCB Contact Termination Area Plating Material	Tin
Contact Base Material	Copper Alloy
Contact Mating Area Plating Material	Tin
Contact Type	Socket
Contact Current Rating (Max)	4.5 A

Termination Features

Rectangular Termination Post & Tail Thickness	.5 mm[.02 in]
Rectangular Termination Post & Tail Width	1.3 mm[.051 in]
Termination Post & Tail Length	2.74 mm[.108 in]
Termination Method to Wire & Cable	Insulation Displacement Crimp (IDC)
Termination Method to Printed Circuit Board	Through Hole - Solder

Mechanical Attachment

PCB Mount Alignment	Without
Mating Retention	Without
PCB Mount Retention	Without
Connector Mounting Type	Board Mount

Housing Features

Centerline (Pitch)	9.9 mm[.39 in]
Housing Color	Natural
Housing Material	Polyester - GF

Dimensions

Wire Size	.12 – .4 mm ²
-----------	--------------------------

Usage Conditions

Operating Temperature Range	-40 – 80 °C[-40 – 176 °F]
-----------------------------	---------------------------

Operation/Application

Circuit Application	Signal
---------------------	--------

Industry Standards

UL Flammability Rating	UL 94V-0
------------------------	----------



Packaging Features

Packaging Method	Bag
------------------	-----

Product Compliance

[For compliance documentation, visit the product page on TE.com>](#)

EU RoHS Directive 2011/65/EU	Compliant
EU ELV Directive 2000/53/EC	Compliant
China RoHS 2 Directive MIIT Order No 32, 2016	No Restricted Materials Above Threshold
EU REACH Regulation (EC) No. 1907/2006	Current ECHA Candidate List: JAN 2021 (211) Candidate List Declared Against: JAN 2021 (211) Does not contain REACH SVHC
Halogen Content	Not Low Halogen - contains Br or Cl > 900 ppm.
Solder Process Capability	Wave solder capable to 265°C

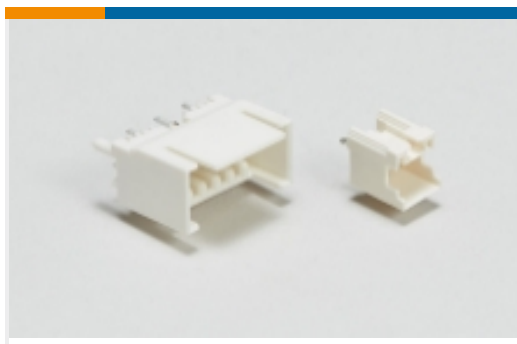
Product Compliance Disclaimer

This information is provided based on reasonable inquiry of our suppliers and represents our current actual knowledge based on the information they provided. This information is subject to change. The part numbers that TE has identified as EU RoHS compliant have a maximum concentration of 0.1% by weight in homogenous materials for lead, hexavalent chromium, mercury, PBB, PBDE, DBP, BBP, DEHP, DIBP, and 0.01% for cadmium, or qualify for an exemption to these limits as defined in the Annexes of Directive 2011/65/EU (RoHS2). Finished electrical and electronic equipment products will be CE marked as required by Directive 2011/65/EU. Components may not be CE marked. Additionally, the part numbers that TE has identified as EU ELV compliant have a maximum concentration of 0.1% by weight in homogenous materials for lead, hexavalent chromium, and mercury, and 0.01% for cadmium, or qualify for an exemption to these limits as defined in the Annexes of Directive 2000/53/EC (ELV). Regarding the REACH Regulation, the information TE provides on SVHC in articles for this part number is based on the latest European Chemicals Agency (ECHA) 'Guidance on requirements for substances in articles' posted at this URL: <https://echa.europa.eu/guidance-documents/guidance-on-reach>

Compatible Parts



Also in the Series | **Pivot**



Wire-to-Board Headers & Receptacles
(6)

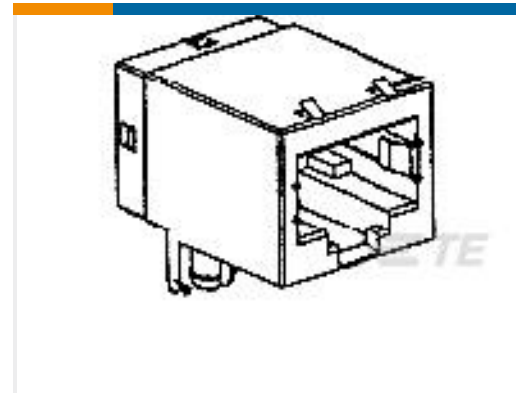
Customers Also Bought



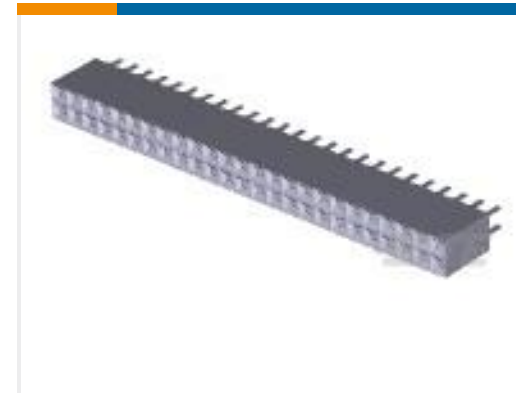
TE Part #2057085-3
SFP accessories



TE Part #1571839-1
02 MODII HDR SRST B/A HT LF



TE Part #1932326-1
MJ,1X1,8POS,CAT5,UNSHIELDED



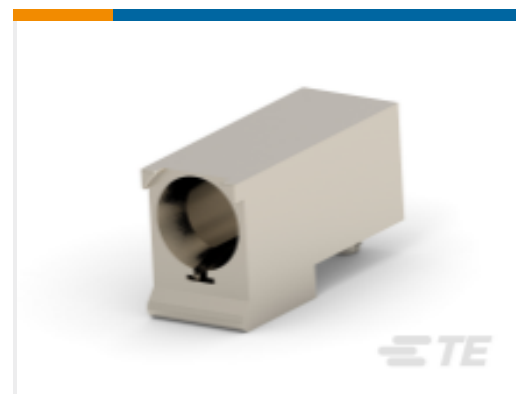
TE Part #2-147424-5
50 MODII VRT DR CE .100 X .100



TE Part #2321666-1
ZQSFP+ STACKED REC ASSEMBLY
2X1



TE Part #2327362-6
CAGE ASSY, QSFP-DD 1X1,
STANDARD



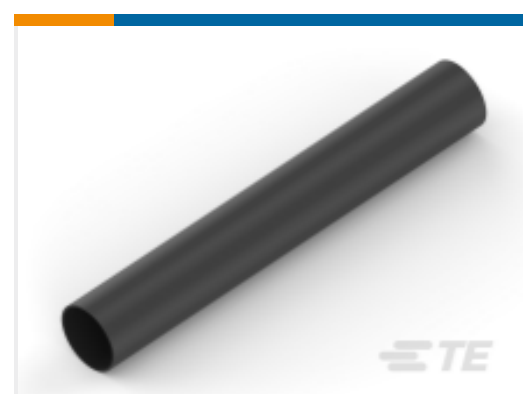
TE Part #3-1410947-1
MULTIGIG RT GUIDE 9MM 0 DEG NI



TE Part #3-1410947-3
MULTIGIG RT GUIDE 9MM 90DEG NI



TE Part #3-1410947-7
MULTIGIG RT GUIDE 9MM 270DEG N



TE Part #NB19924001
VERSAFIT-1/16-0-SP-SM

Documents

Product Drawings

[ASSY,4 PR,DBL ENTRY,PIVOT II](#)

English

CAD Files

[3D PDF](#)

3D

[Customer View Model](#)

[ENG_CVM_CVM_1339375-2_A.2d_dxf.zip](#)



English

Customer View Model

[ENG_CVM_CVM_1339375-2_A.3d_igs.zip](#)

English

Customer View Model

[ENG_CVM_CVM_1339375-2_A.3d_stp.zip](#)

English

By downloading the CAD file I accept and agree to the [Terms and Conditions](#) of use.

Datasheets & Catalog Pages

[5-1773454-9_AMP_Pivot_Connector_Series](#)

English

Product Specifications

[Application Specification](#)

English