

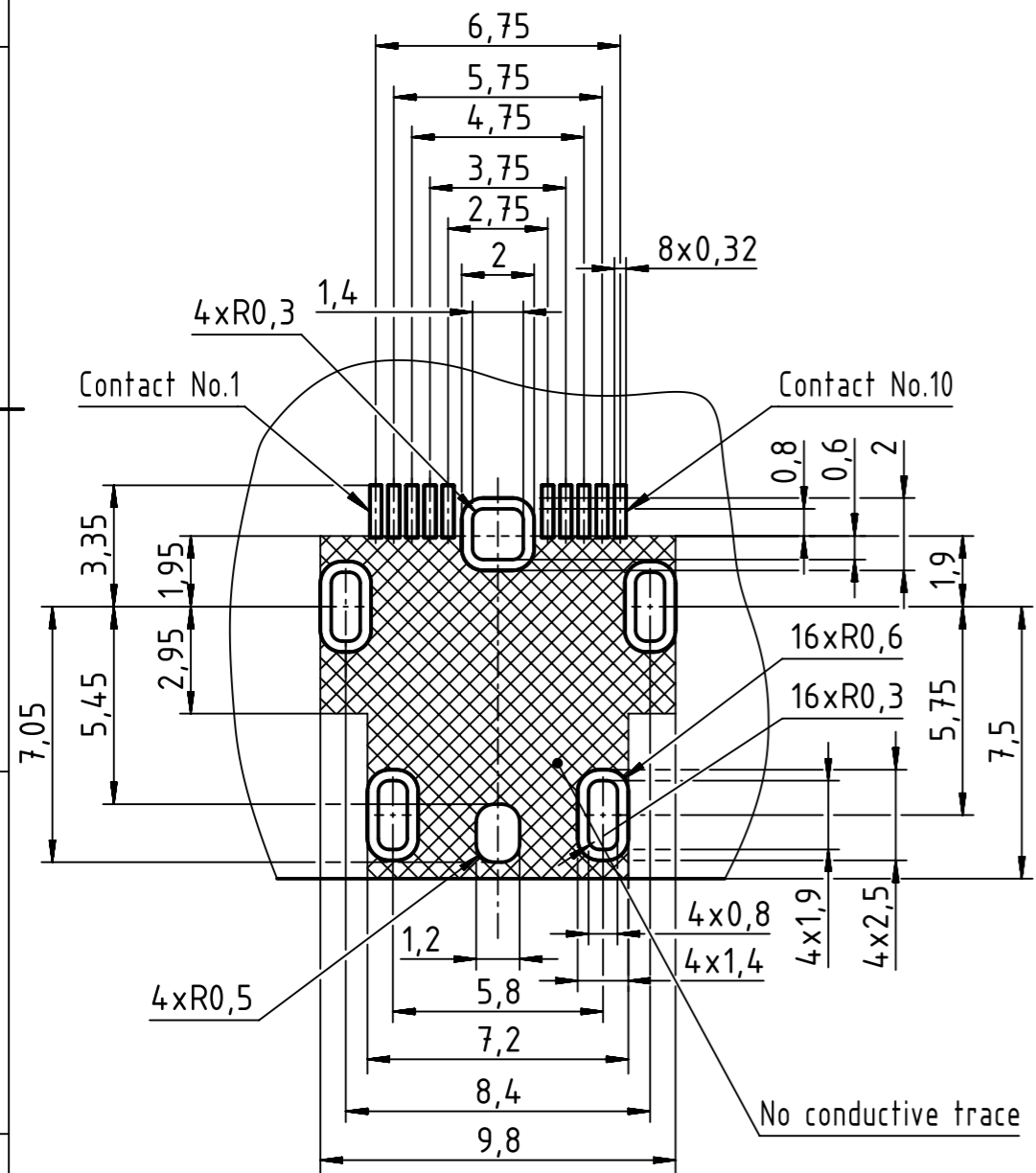
Contact No.	Signal	
	10/100 Mbit/s	1/10 Gbit/s
1	TX+	BI DA+
2	TX-	BI DA-
3	N.C.	GND
4	N.C.	BI DC+
5	N.C.	BI DC-
6	RX+	BI DB+
7	RX-	BI DB-
8	N.C.	GND
9	N.C.	BI DD+
10	N.C.	BI DD-

09452812560: Tape & reel packaging (400 pcs.)
 09452812560333: Single packaging (1 pcs.)

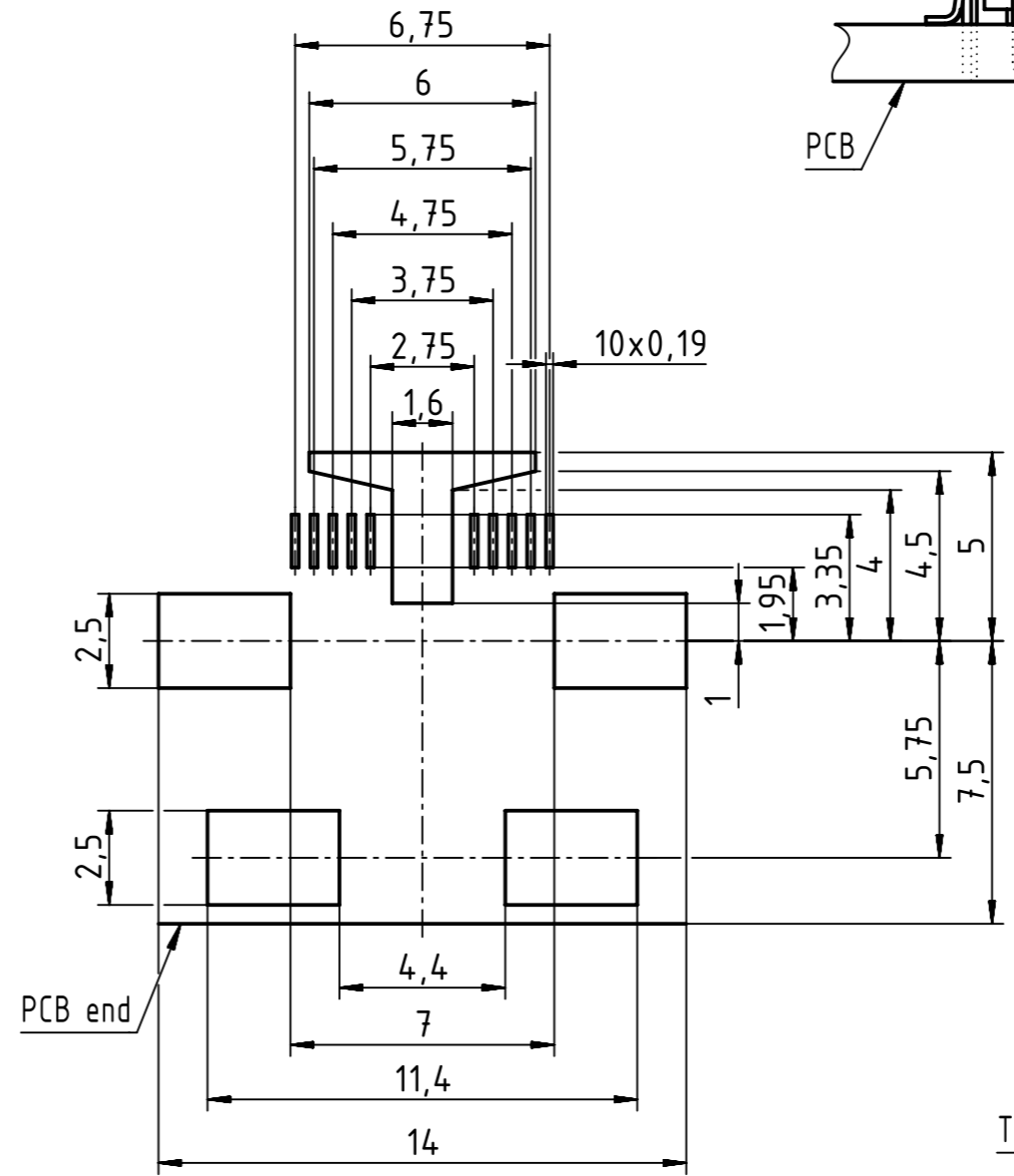
This product is mounted by reflow soldering.
 Contact material: copper alloy
 Contact area: Gold 0.2µm min.
 Lead area: Gold 0.03µm min.
 Under plating: Nickel 2µm min.

	All rights reserved	Created by 402602	Inspected by PRIESTER	Standardisation HOFFMANN	Date 2020-05-13	State Final Release	Ref.
	Department EL PD	Title ix Industrial 10A-1 jack AV (T&R400)		Doc-Key / ECM-Nr. 100695472/UGD/000/F 500000172455		Rev. F	Page 1/3
HARTING Electronics GmbH D-32339 Espelkamp		Type TB	Number 09452812560				

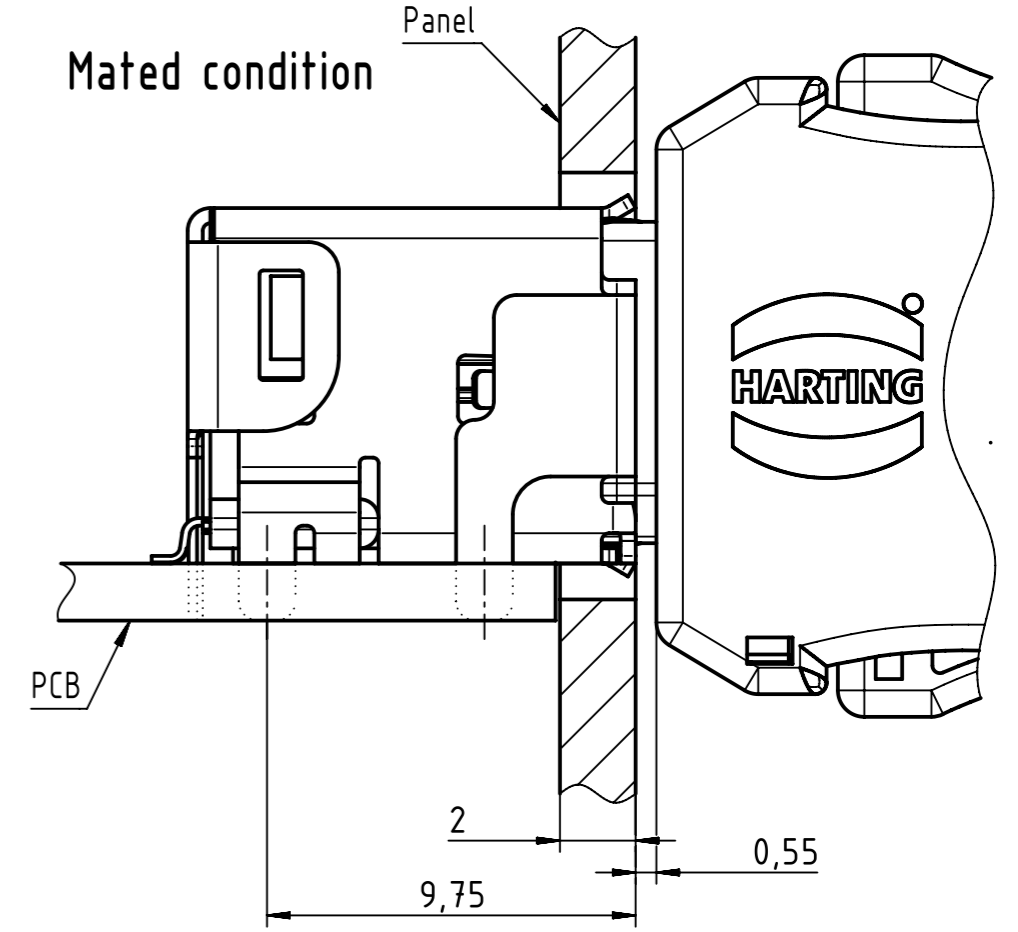
Reference PCB Layout (t=1.6)



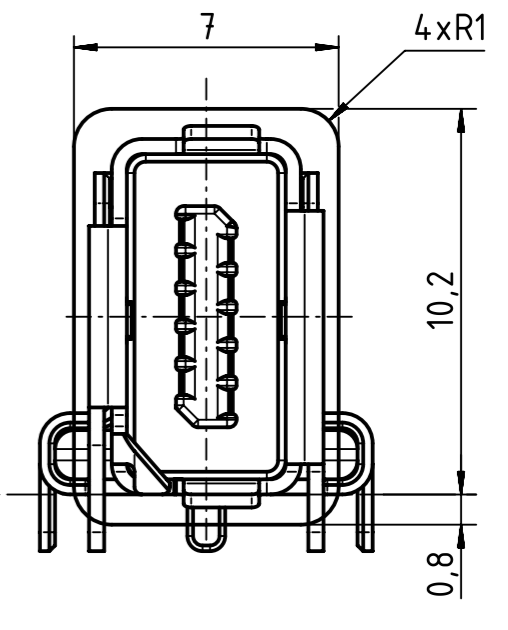
Example Metal Mask Layout (t=0.15) (SMD pitch >14.5)



Mated condition

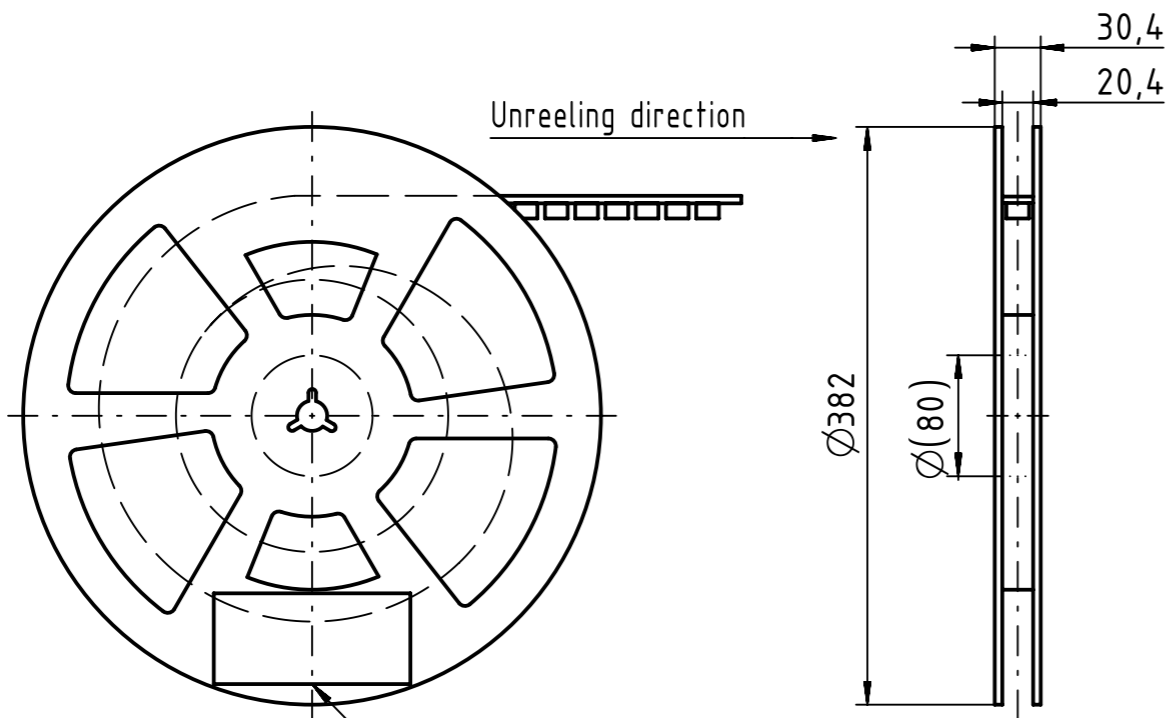
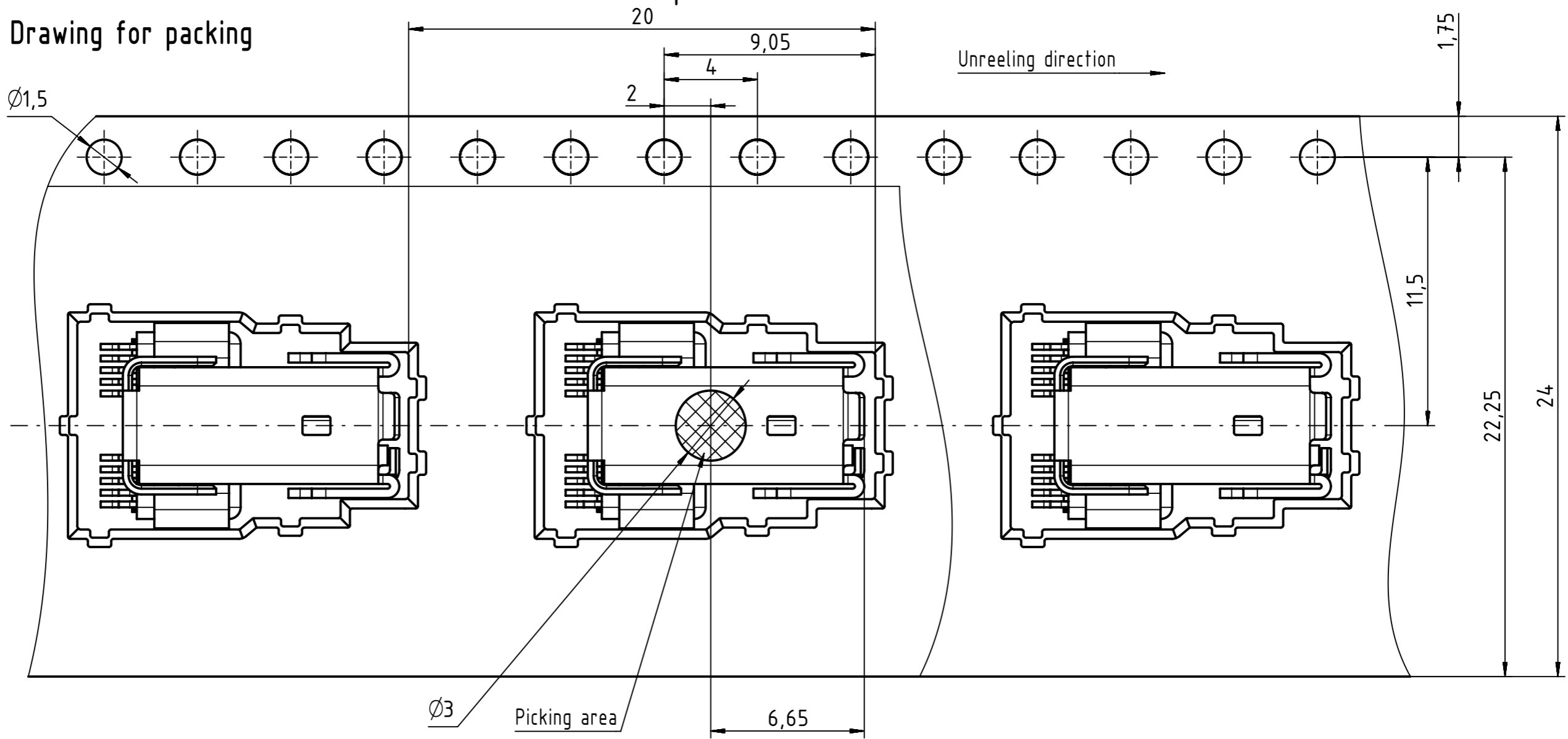


Reference dimensions of panel cutout



	All rights reserved	Created by 402602	Inspected by PRIESTER	Standardisation HOFFMANN	Date 2020-05-13	State Final Release
	Department EL PD	Title ix Industrial 10A-1 jack AV (T&R400)			Doc-Key / ECM-Nr. 100695472/UGD/000/F 500000172455	
HARTING Electronics GmbH D-32339 Espelkamp		Type TB	Number 09452812560		Rev. F	Page 2/3

Drawing for packing



Label (Part No. Code No. Lot No. Packing quantity)

	All Dimensions in mm Original Size DIN A3		Scale 5:1	Free size tol.		Ref.
	All rights reserved		Created by 402602	Inspected by PRIESTER	Standardisation HOFFMANN	Date 2020-05-13
Department EL PD		Title ix Industrial 10A-1 jack AV (T&R400)				State Final Release
HARTING Electronics GmbH D-32339 Espelkamp		Type TB	Number 09452812560		Doc-Key / ECM-Nr. 100695472/UGD/000/F 500000172455	Rev. F Page 3/3