

GH195, FC310, GH663, 2781, SH222-16

**Fittings
High Pressure**

**Hochdruck-
armaturen**

**Embouts
haute pression**

**Raccordi
alta pressione**

**Racores
altas pressione**

52

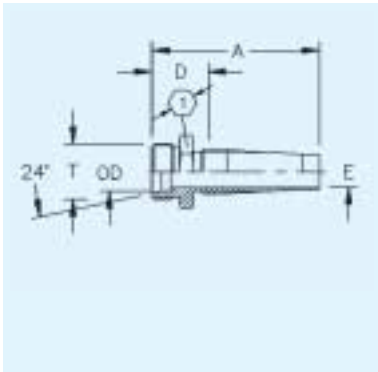
**24° Male, Light
Duty**

**Außengewinde-
anschluss 24°,
leichte Baureihe**

Mâle 24° série L

**Maschio metrico
24°, serie leggera**

**Macho fijo de 24°,
serie ligera**



Part Number	Thread T	Flange Tube O.D. mm	Hose ND	Hose Size	A mm	D mm	H mm	E Ø mm	K Ø mm	R Ø mm	HEX [1]	HEX [2]	Nut
11.013-6-4	M12x1,5	6	6	-4	60	30		4				14	
11.013-8-4	M14x1,5	8	6	-4	60	30		4				17	
11.013-10-6	M16x1,5	10	10	-6	67	31		8				17	
11.013-12-6	M18x1,5	12	10	-6	67	31		8				22	
11.013-15-8	M22x1,5	15	12	-8	72	34		10				24	
11.013-18-10	M26x1,5	18	16	-10	73	35		13				27	
11.013-22-12	M30x2,0	22	19	-12	87	41		16				32	
11.013-28-16	M36x2,0	28	25	-16	98	47		21				41	

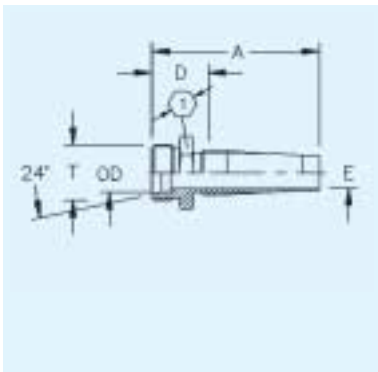
**24° Male, Heavy
Duty**

**Außengewinde-
anschluss 24°,
schwere Baureihe**

Mâle 24° série S

**Maschio metrico
24°, serie pesante**

**Macho fijo de 24°,
serie pesada**



Part Number	Thread T	Flange Tube O.D. mm	Hose ND	Hose Size	A mm	D mm	H mm	E Ø mm	K Ø mm	R Ø mm	HEX [1]	HEX [2]	Nut
11.005-8-4	M16x1,5	8	6	-4	62	32		4				17	
11.005-10-4	M18x1,5	10	6	-4	62	33		4				19	
11.005-12-6	M20x1,5	12	10	-6	68	32		8				22	
11.005-16-8	M24x1,5	16	12	-8	74	36		10				27	
11.005-20-10	M30x2,0	20	16	-10	79	41		13				32	
11.005-25-12	M36x2,0	25	19	-12	91	45		16				41	
11.005-30-16	M42x2,0	30	25	-16	104	53		21				46	
11.005-38-20	M52x2,0	38	31	-20	120	62		27				55	

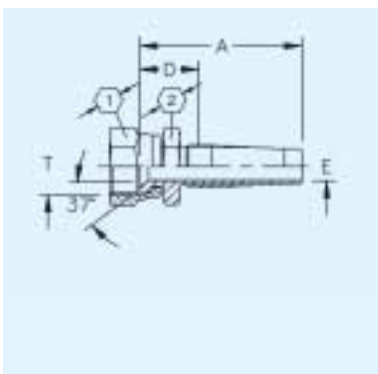
**JIC Female
Swivel 37°**

JIC-Dichtkopf 37°

Femelle JIC 37°

**Femmina girevole
JIC 37°**

**Hembra loca JIC
37°**



Part Number	Thread T	Flange Tube O.D. mm	Hose ND	Hose Size	A mm	D mm	H mm	E Ø mm	K Ø mm	R Ø mm	HEX [1]	HEX [2]	Nut
G4103-4-4-4	7/16-20		6	-4	58	29		4				14	14
G4103-4-5-4	1/2-20		6	-4	58	29		4				17	17
G4103-4-6-4DR	9/16-18		6	-4	60	29		4				17	17
G4103-4-6-6DR	9/16-18		10	-6	65	29		8				17	17
G4103-4-8-6	3/4-16		10	-6	67	30		8				22	22
G4103-4-8-8	3/4-16		12	-8	70	31		10				22	22
G4103-4-10-8	7/8-14		12	-8	71	31		10				27	27
G4103-4-10-10	7/8-14		12	-10	72	34		13				27	27
G4103-4-12-10	1 1/16-12		16	-10	74	35		13				32	32
G4103-4-12-12	1 1/16-12		19	-12	84	37		16				32	32
G4103-4-16-12	1 5/16-12		19	-12	87	39		16				41	41
G4103-4-16-16	1 5/16-12		25	-16	98	47		21				41	41
G4103-4-20-20	1 5/8-12		25	-20	113	55		27				50	50
G4103-4-24-24	1 7/8-12		38	-24	115	58		32				60	60
G4103-4-32-32	2 1/2-12		51	-32	122	66		45				75	75