

Polycarbonate Enclosure Grey 160 x 80 x 85mm



DESCRIPTION

A light grey polycarbonate box with a tongue-and-groove sealing system and neoprene gasket.

DISTINCTIVE FEATURES

- Tough Polycarbonate Enclosures particularly suited to outdoor applications
- Finished in Light Grey RAL 7035 with a smooth finish
- Non-magnetic lid fixings Qty 4 \varnothing M4x 20mm
- Brass inserts to allow repeated insertion cycles
- Mounting holes outside sealed area preventing ingress of dust and moisture
- Designed to meet the requirements of IP65 (minimum)
- Temperature range -40 to +120°C
- Flame resistance rating UL94-HB

APPLICATIONS

This polycarbonate project box is designed for applications that require more strength & durability than ABS. Polycarbonate is less adversely affected by UV than ABS (ABS is more prone to discolouration and embrittlement) and so is more suitable for outdoor applications.

Designed to meet IP65 to protect against dust ingress and water spray. Suitable for safety glasses, lighting equipment, medical devices, and also ideal for outdoor & portable applications.

PC

UL94-HB

RAL 7035

\varnothing M4x 20 mm

IP65



GENERAL SPECIFICATION

Series	Polycarbonate Project Boxes
Type	General Purpose Enclosure
Internal Features	Printed circuit board mounting bosses in base
Weight	277g



MATERIALS

Material	Polycarbonate
Finish	Smooth
Colour	Grey RAL 7035
Screws	Qty 4 \oplus M4x 20mm
Screw Inserts	Brass
Gasket	EPDM



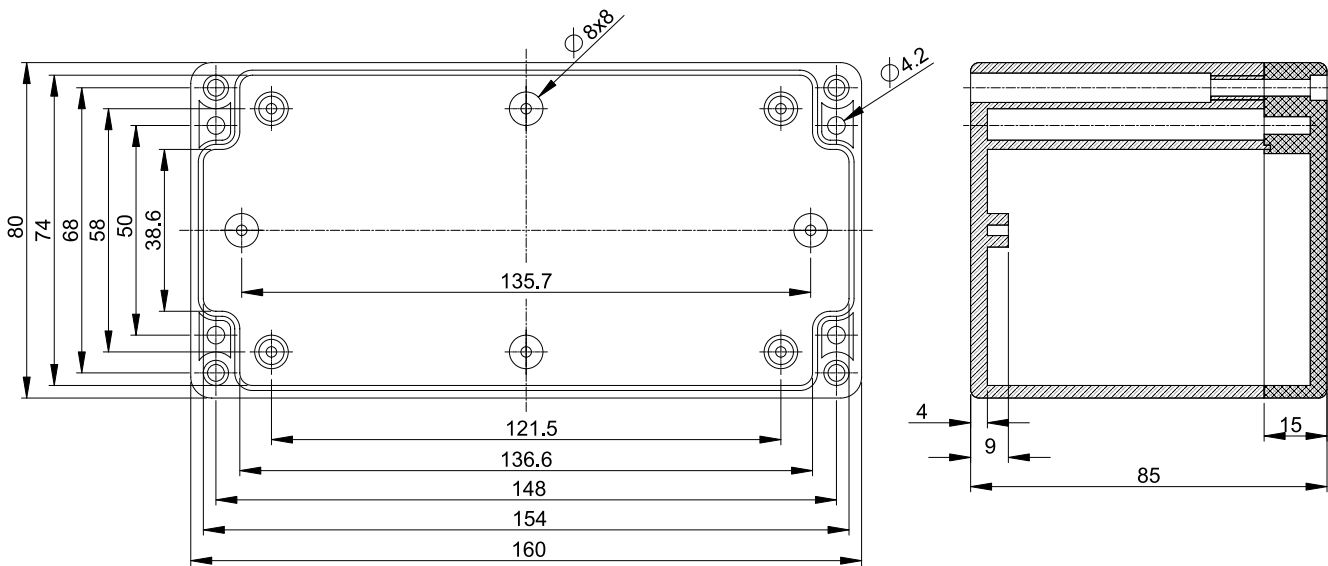
ENVIRONMENTAL/OPERATING SPECIFICATION

Flame Resistance	UL94-HB
IP Rating	Designed to meet the requirements of IP65 (minimum)
Operating Temperature	-40°C to +120°C



DIMENSIONS/DRAWINGS

Units	mm - unless stated otherwise
Dimensions	160 x 80 x 85mm
Wall Thickness	4mm



PART NUMBER TABLE

Part Number	EAN	UNSPSC	Country of Origin
52-43267	5053556004850	39121324	Taiwan

R-TECH

Tried & trusted technology

Important Notice: This data sheet and its contents (the "Information") belong to Rapid Electronics Limited or are licensed to it. No licence is granted for the use of it other than for information purposes in connection with the products to which it relates. No licence of any intellectual property rights is granted. The Information is subject to change without notice and replaces all data sheets previously supplied. The Information supplied is believed to be accurate but Rapid Electronics Limited assumes no responsibility for its accuracy or completeness, any error in or omission from it or for any use made of it. Users of this data sheet should check for themselves the Information and the suitability of the products for their purpose and not make any assumptions based on information included or omitted. Liability for loss or damage resulting from any reliance on the Information or use of it (including liability resulting from negligence or where Rapid Electronics Limited were aware of the possibility of such loss or damage arising) is excluded. This will not operate to limit or restrict Rapid Electronics Limited's liability for death or personal injury resulting from its negligence.